



Chipsmall Limited consists of a professional team with an average of over 10 year of expertise in the distribution of electronic components. Based in Hongkong, we have already established firm and mutual-benefit business relationships with customers from,Europe,America and south Asia,supplying obsolete and hard-to-find components to meet their specific needs.

With the principle of “Quality Parts,Customers Priority,Honest Operation,and Considerate Service”,our business mainly focus on the distribution of electronic components. Line cards we deal with include Microchip,ALPS,ROHM,Xilinx,Pulse,ON,Everlight and Freescale. Main products comprise IC,Modules,Potentiometer,IC Socket,Relay,Connector.Our parts cover such applications as commercial,industrial, and automotives areas.

We are looking forward to setting up business relationship with you and hope to provide you with the best service and solution. Let us make a better world for our industry!



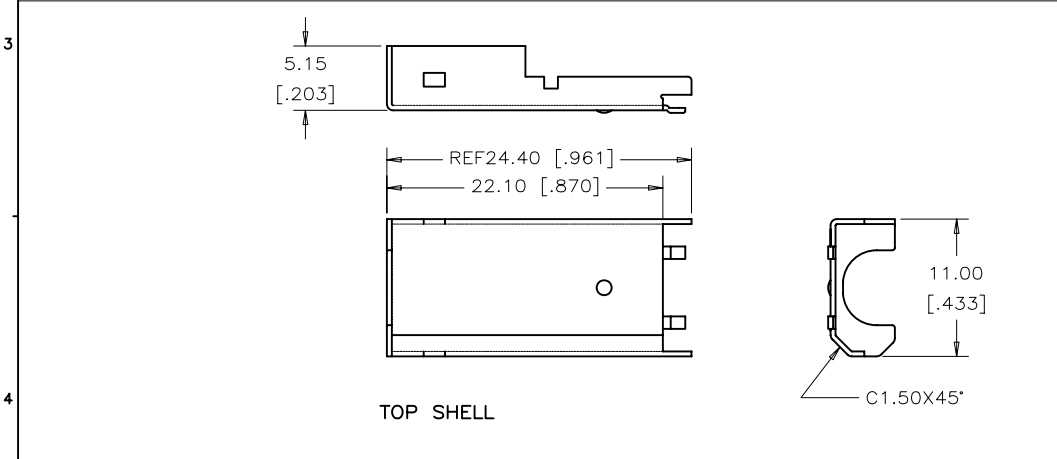
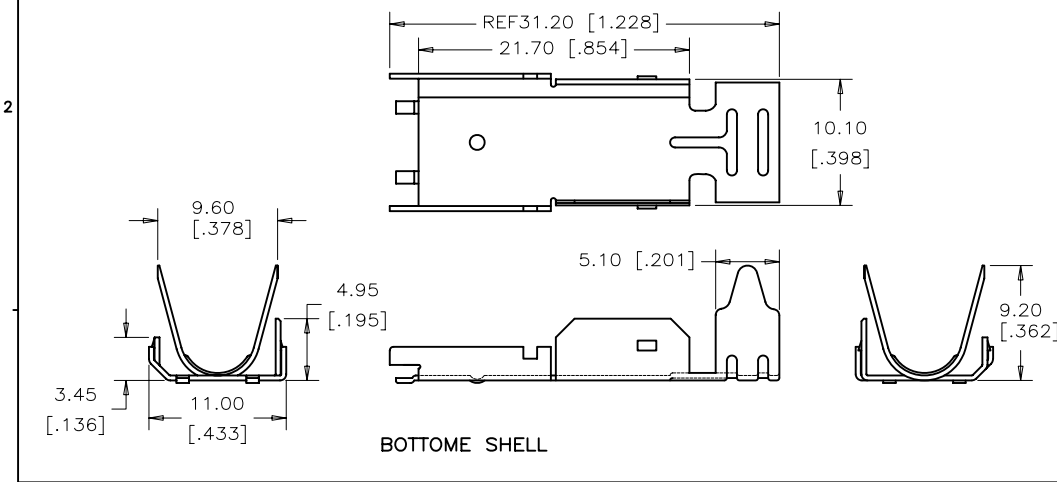
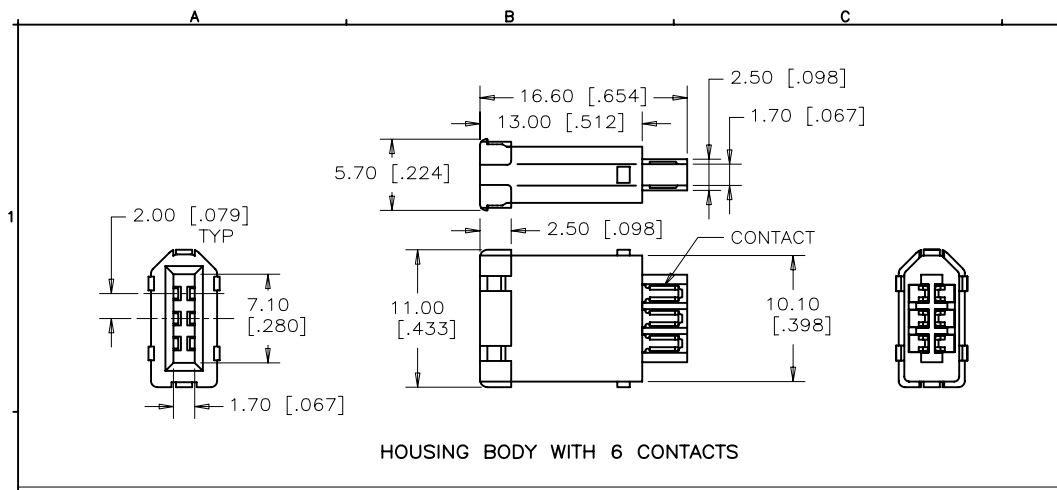
Contact us

Tel: +86-755-8981 8866 Fax: +86-755-8427 6832

Email & Skype: info@chipsmall.com Web: www.chipsmall.com

Address: A1208, Overseas Decoration Building, #122 Zhenhua RD., Futian, Shenzhen, China





THIS DOCUMENT CONTAINS PROPRIETARY INFORMATION AND SUCH INFORMATION MAY NOT BE DISCLOSED TO OTHERS FOR ANY PURPOSE OR USED FOR MANUFACTURING PURPOSES WITHOUT WRITTEN PERMISSION FROM AMPHENOL CANADA CORP.

REVISIONS				
SYM	ZONE	ECN, ERN NO.	DATE	APPRD.
A		PROPOSAL	Jan 17.07	L.CHAN
B		PROPOSAL	Jan 26.07	L.CHAN

NOTES:

- MATERIALS:**
 - HOUSING: GLASS REINFORCED HIGH TEMPERATURE THERMOPLASTIC
FLAMMABILITY UL94V-0
COLOUR: BLACK
 - CONTACTS: COPPER ALLOY.
PLATING: 1.27 MICRONS [50 u"] MIN NICKEL UNDERPLATE OVERALL.
0.76 MICRONS [30u"] PLATED ON MATING AREA.
TIN ON CONTACT TAILS.
 - SHELL: STEEL , NICKEL PLATED.
- TOLERANCE UNLESS INDICATED OTHERWISE: ±0.30 [.012]. ±3°.



AMPHENOL PART NUMBER: **UE32-AN0-000**

SERIES **UE3**=FIREWIRE SERIAL CONTACT
 TYPE **2**=PLUG
 NUMBER OF CONTACT **A**=6 CONTACTS
 CONFIGURATION **N**=PLUG ASSEMBLY AND SOLDER CONTACTS INSTALLED

0=MODIFIER
0=STANDARD PRODUCT
0=PLUG
0=PLUG
0=0.76 MICRONS [30u"]

MATERIAL	DRAWN <i>MT.Chen</i>	DATE <i>Jan 17.07</i>	Amphenol Canada Corp.			
	DESIGNED <i>L.CHAN</i>	<i>Jan 17.07</i>				
SEE NOTES	CHECKED		TITLE IEEE 1394 FIREWIRE PLUG 6 POSITION SOLDER TYPE			
	I. E. APPRD.					
	Q. A. APPRD.					
PLATING	DWG. APPRD.		DWG	DRAWING NO.	REV.	
SEE NOTES	ENG. REL. NO.		C	P-UE32-AN0-000	B	
	REF. <i>EAR #13018</i>					
	DIMENSIONS ARE IN <i>mm</i>	CODE ID. NO. <i>03554</i>				
			SCALE <i>N/A</i>	WT. -----	SURF. -----	SHEET <i>1</i> OF <i>1</i>