



Chipsmall Limited consists of a professional team with an average of over 10 year of expertise in the distribution of electronic components. Based in Hongkong, we have already established firm and mutual-benefit business relationships with customers from,Europe,America and south Asia,supplying obsolete and hard-to-find components to meet their specific needs.

With the principle of “Quality Parts,Customers Priority,Honest Operation,and Considerate Service”,our business mainly focus on the distribution of electronic components. Line cards we deal with include Microchip,ALPS,ROHM,Xilinx,Pulse,ON,Everlight and Freescale. Main products comprise IC,Modules,Potentiometer,IC Socket,Relay,Connector.Our parts cover such applications as commercial,industrial, and automotives areas.

We are looking forward to setting up business relationship with you and hope to provide you with the best service and solution. Let us make a better world for our industry!



## Contact us

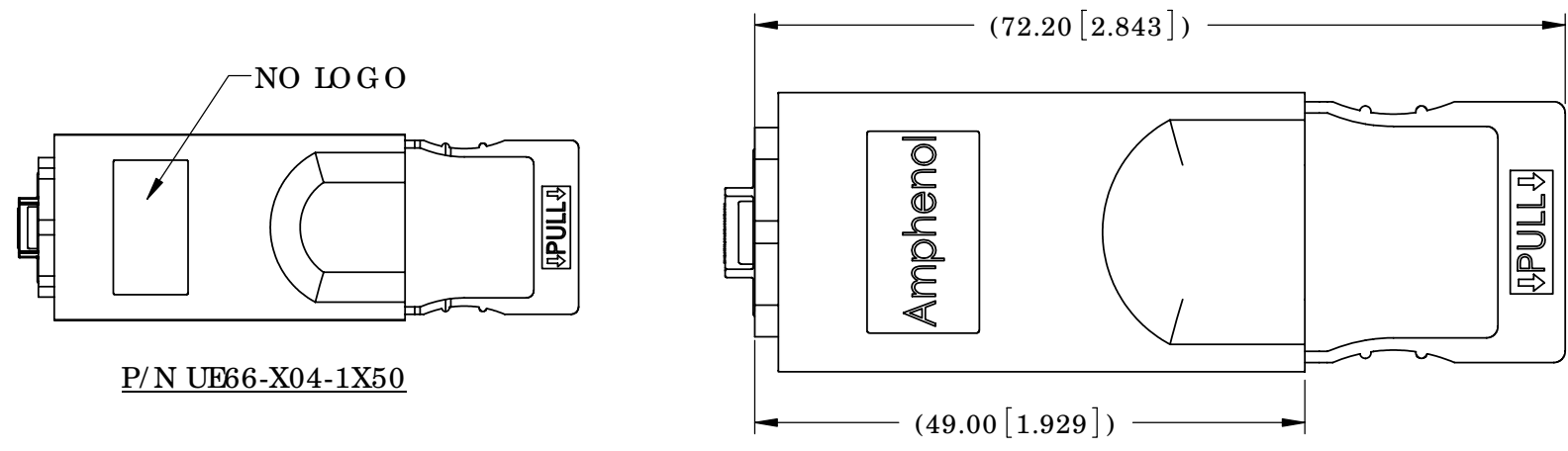
Tel: +86-755-8981 8866 Fax: +86-755-8427 6832

Email & Skype: info@chipsmall.com Web: www.chipsmall.com

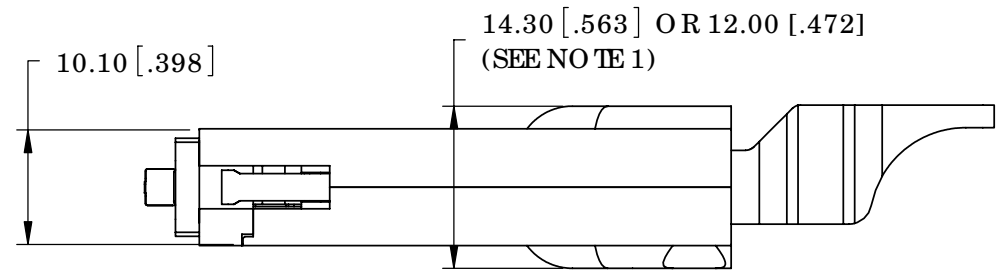
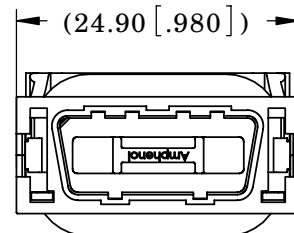
Address: A1208, Overseas Decoration Building, #122 Zhenhua RD., Futian, Shenzhen, China



REVISIONS				
REV.	ECN/ROUTING NO.	DESCRIPTION	DATE	APPROVED
A		PROPOSAL	2005/10/25	A.G.
B		PROPOSAL	JUNE06/07	A.G.



P/N UE66-X04-1X50



ASSEMBLED PLUG  
(REF. ONLY)

AMPHENOL PART NUMBER CONFIGURATION

UE66 - X 04 - X X X 0

INFINITY  
Ro HS PLUG KIT

PCB OPTIONS

- C = NO INSERT AND NO PCB
- E = 1.27µm GOLD NO PCB
- N = 1.27µm GOLD WITH PCB

CABLE TYPE

04 = 4X

CABLE SIZE

- 1 = 24 AWG WIRE
- 2 = 26/28 AWG WIRE (SEE NOTE 2)

KEYING

0 = ALL KEY SLOTS  
(STANDARD)

MOUNTING STYLE

- 1 = LANYARD LATCH  
24 AWG CABLE ONLY
- 3 = LOW PROFILE LANYARD LATCH  
26/28 AWG CABLE ONLY  
(SEE NOTE 2)
- 5 = LANYARD LATCH - NO LOGO  
24 AWG CABLE ONLY

FERRULE

- 0 = NO FERRULE
- 1 = WITH FERRULE

MATERIAL:

PLASTIC INSERT:

HIGH TEMPERATURE RESISTANT NYLON FLAMMABILITY RATING UL94V-0

CONTACTS:

COPPER ALLOY

BACK SHELL:

DIE CASTING

PLATING:

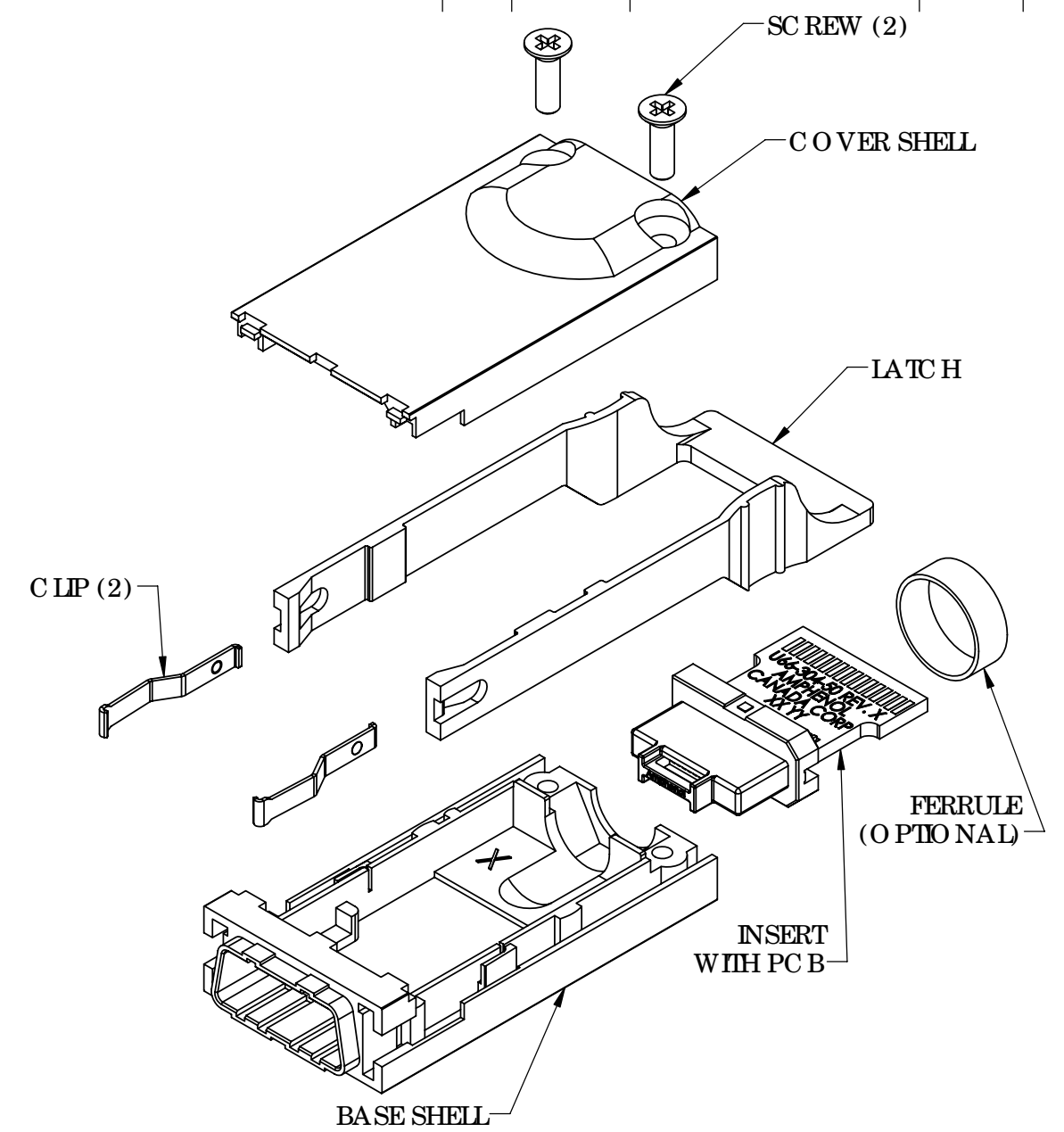
CONTACTS:

1.27µm [50µ"] MIN GOLD OVER 1.27µm [50µ"] MIN NICKEL ON CONTACT SURFACES. GOLD FLASH OVER 1.27µm [50µ"] MIN NICKEL ON CONTACT TAILS.

BACK SHELL:

2.54µm [150µ"] MIN NICKEL

TEMPERATURE RANGE: -40C TO +85C



NOTES:

1. DIMENSION FOR LOW PROFILE (26/28 AWG) SHELL IS 12.00 mm [0.472"] HIGH.
2. REQUIREMENT TO BUILD UP 28 AWG WIRE.



UNLESS OTHERWISE SPECIFIED DIMENSIONS ARE IN MILLIMETERS TOLERANCES ARE:		APPROVALS	DATE	Amphenol Canada Corp.
DECIMALS	ANGLES	DRAWN M.LONG	2005/10/24	
X.X ± 0.15	± 1°	DESIGNED M.LONG	2005/10/24	
X.XX ± 0.10		CHECKED J.SI	2005/10/25	
MATERIAL AND FINISH		QA APP'D		INFINIBAND 4X PLUG KIT, LANYARD LATCH STYLE, Ro HS
N/A		EA APP'D		
REF.		DWG APP'D A.GREEN	2005/10/25	SIZE A3
CODE IDENT NO.	03554			DWG. NO. P-UE66-X04-XXX0
				SCALE 1 = 1
				PROJECT
				SHEET 1 OF 1