



Chipsmall Limited consists of a professional team with an average of over 10 year of expertise in the distribution of electronic components. Based in Hongkong, we have already established firm and mutual-benefit business relationships with customers from,Europe,America and south Asia,supplying obsolete and hard-to-find components to meet their specific needs.

With the principle of “Quality Parts,Customers Priority,Honest Operation,and Considerate Service”,our business mainly focus on the distribution of electronic components. Line cards we deal with include Microchip,ALPS,ROHM,Xilinx,Pulse,ON,Everlight and Freescale. Main products comprise IC,Modules,Potentiometer,IC Socket,Relay,Connector.Our parts cover such applications as commercial,industrial, and automotives areas.

We are looking forward to setting up business relationship with you and hope to provide you with the best service and solution. Let us make a better world for our industry!



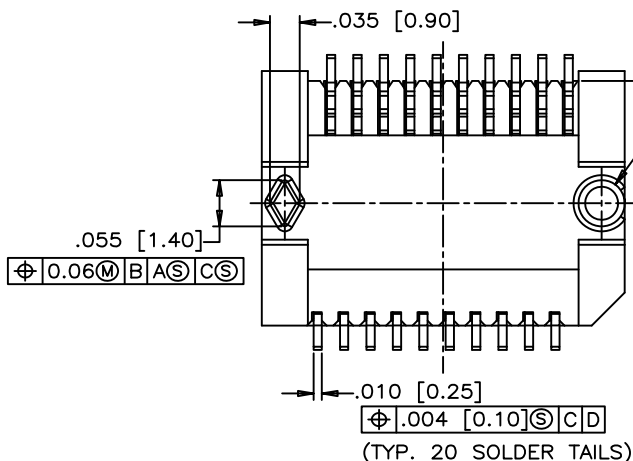
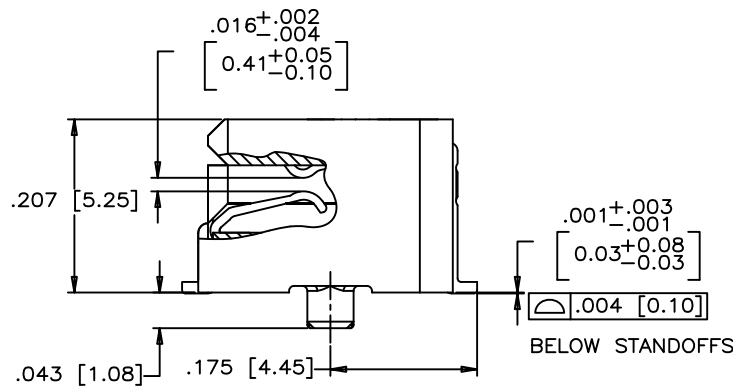
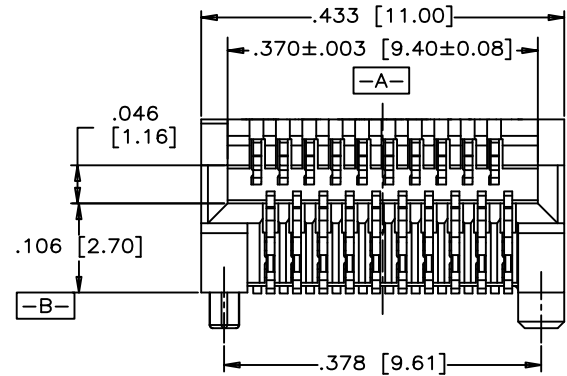
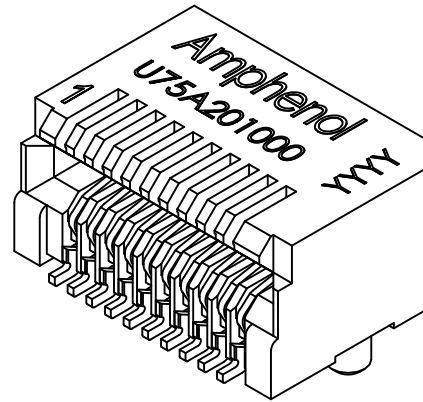
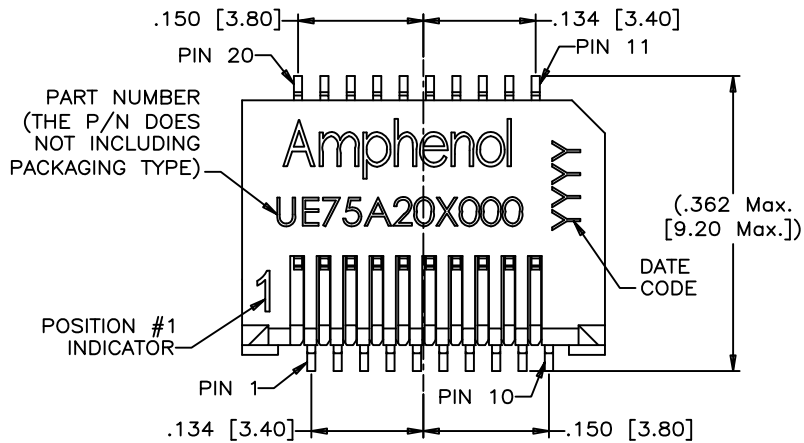
Contact us

Tel: +86-755-8981 8866 Fax: +86-755-8427 6832

Email & Skype: info@chipsmall.com Web: www.chipsmall.com

Address: A1208, Overseas Decoration Building, #122 Zhenhua RD., Futian, Shenzhen, China





AMPHENOL PART NUMBER CONFIGURATION

UX75 - A 20 - X 0 0 X T

SFP RECEPTACLE

U75 = NON-RoHS
UE75 = RoHS COMPLIANT

CONTACT PLATING

(FOR U75 NON-RoHS)

- 1 = PLATING OPTION 1 (SEE MATERIAL NOTES)
 - 4 = PLATING OPTION 4 (SEE MATERIAL NOTES)
- (FOR UE75 RoHS)
- 2 = PLATING OPTION 2 (SEE MATERIAL NOTES)
 - 3 = PLATING OPTION 3 (SEE MATERIAL NOTES)
 - 5 = PLATING OPTION 5 (SEE MATERIAL NOTES)
 - 6 = PLATING OPTION 6 (SEE MATERIAL NOTES)

LUBRICANT OPTION ON MATING AREA

0 = NO
1 = YES

REVISIONS				
SYM	ZONE	ECN, ERN NO.	DATE	APPRD.
K		UPDATED MATERIAL FOR HOUSING	MAY29/07	J.S.
L		UPDATED	APR16/08	A.G.
M		UPDATED	MAR 14/11	J.S.
N		UPDATED	NOV 21/11	J.S.
P		UPDATED	JUL 16/12	J.S.

THIS IS A CAD DRAWING. DO NOT MANUALLY REVISE.

MATERIAL NOTES:

PLASTIC HOUSING:

HIGH TEMPERATURE LCP
FLAMMABILITY RATING UL94V-0.

CONTACTS:

PHOSPHOR BRONZE

- PLATING OPTION 1: (U75 ONLY)
30µ" [0.76 µm] MIN. GOLD ON MATING AREA AND 150-300 µ" (3.81-7.62 µm) MIN. TIN/LEAD (90/10) PLATING ON TERMINATION OVER 50µ" [1.27 µm] MIN. NICKEL UNDER LAYER.
 - PLATING OPTION 2: (RoHS FOR UE75 ONLY)
30µ" [0.76 µm] MIN. GOLD ON MATING AREA AND 2 µ" (0.05 µm) GOLD FLASH PLATING ON TERMINATION OVER 50µ" [1.27 µm] MIN. NICKEL UNDER LAYER.
 - PLATING OPTION 3: (RoHS FOR UE75 ONLY)
30µ" [0.76 µm] MIN. GOLD ON MATING AREA AND 150-300 µ" (3.81-7.62 µm) MIN. LOW WHISKER MATTE TIN PLATING ON TERMINATION OVER 50µ" [1.27 µm] MIN. NICKEL UNDER LAYER.
 - PLATING OPTION 4: (FOR U75 ONLY)
15µ" [0.38 µm] MIN. GOLD ON MATING AREA AND 150-300 µ" (3.81-7.62 µm) MIN. TIN/LEAD (90/10) PLATING ON TERMINATION OVER 50µ" [1.27 µm] MIN. NICKEL UNDER LAYER.
 - PLATING OPTION 5: (RoHS FOR UE75 ONLY)
15µ" [0.38 µm] MIN. GOLD ON MATING AREA AND 2 µ" (0.05 µm) GOLD FLASH PLATING ON TERMINATION OVER 50µ" [1.27 µm] MIN. NICKEL UNDER LAYER.
 - PLATING OPTION 6: (RoHS FOR UE75 ONLY)
15µ" [0.38 µm] MIN. GOLD ON MATING AREA AND 150-300 µ" (3.81-7.62 µm) MIN. LOW WHISKER MATTE TIN PLATING ON TERMINATION OVER 50µ" [1.27 µm] MIN. NICKEL UNDER LAYER.
- LUBRICANT OPTION: LUBRICANT CAN BE ADDED ON THE CONTACTS MATING AREA (SEE P/N FOR THE OPTION)

PACKAGING:

TAPE AND REEL.

TEMPERATURE RANGE:

-40°C TO +85°C

DRAWN	J.SI	DATE	2005/03/08
DESIGNED	J.SI	DATE	2005/03/08
CHECKED	X		X
I. E. APPRD.			
Q. A. APPRD.			

Amphenol Canada Corp.

TITLE
SFP 20 POSITION HIGH SPEED CONNECTOR RECEPTACLE FIXED BOARD, RIGHT ANGLE SMT OPTIONAL PLATING AND LUBRICANT ON MATING

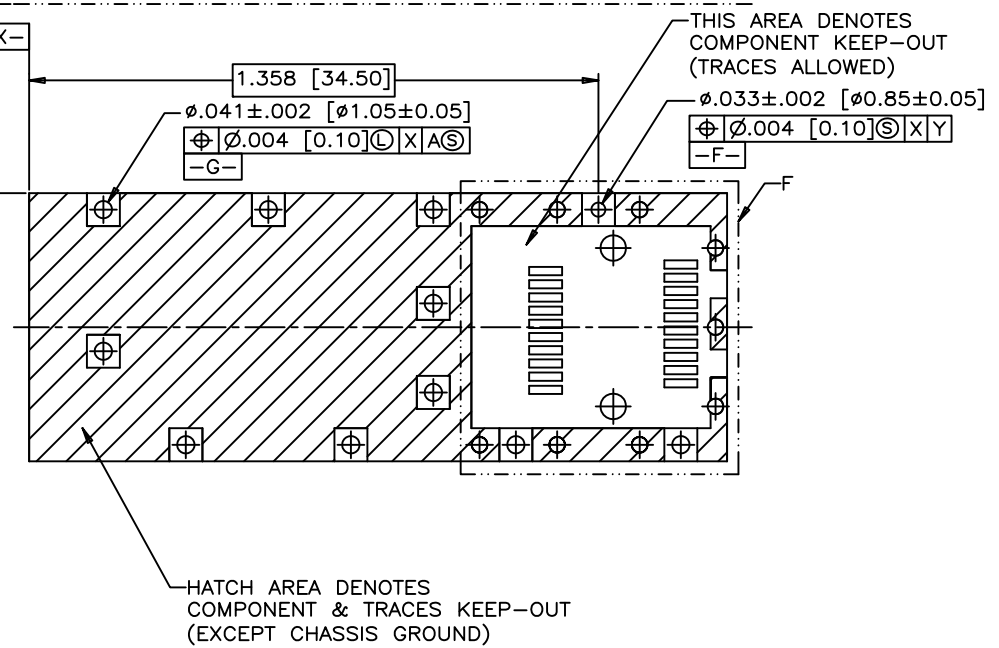
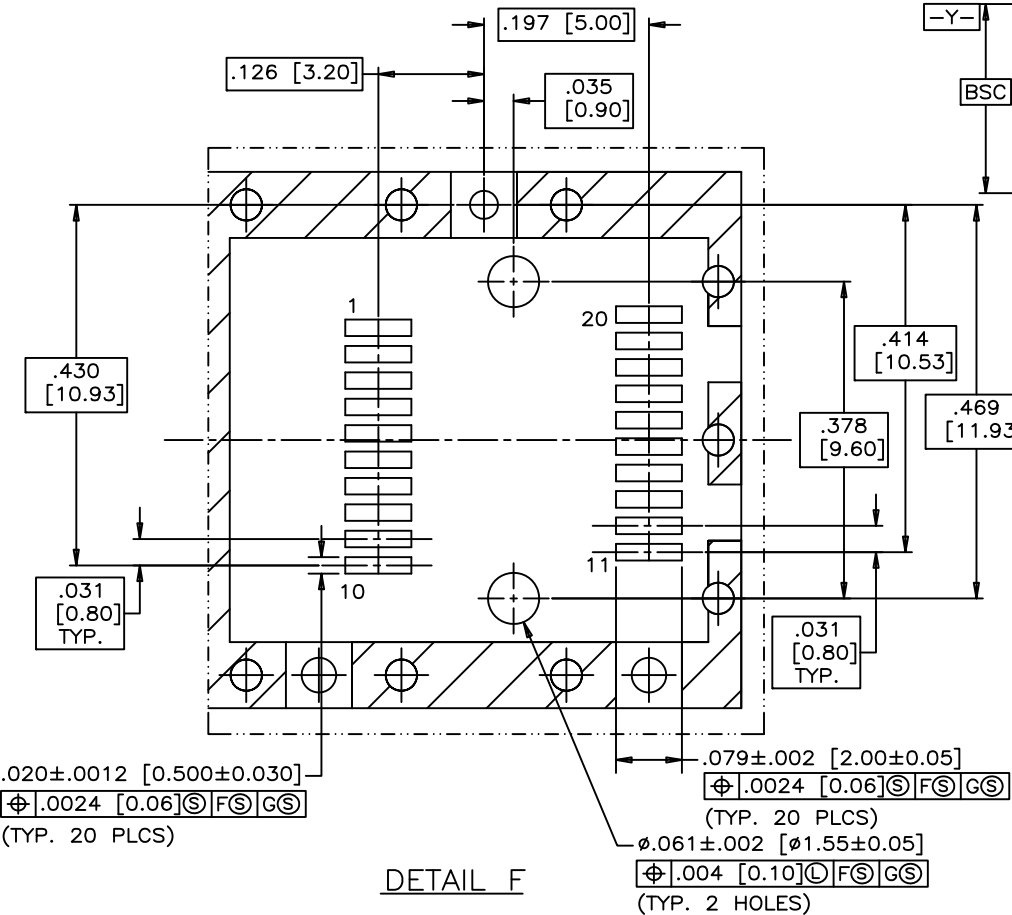
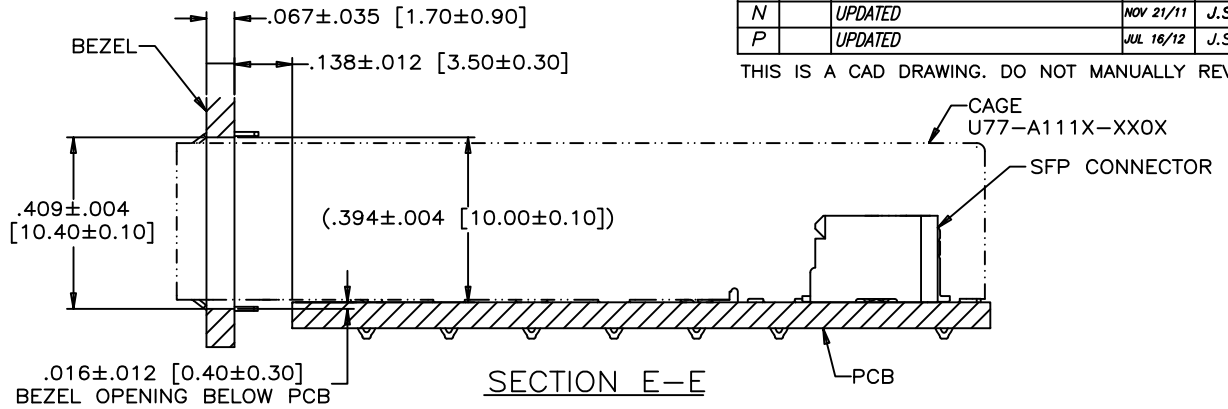
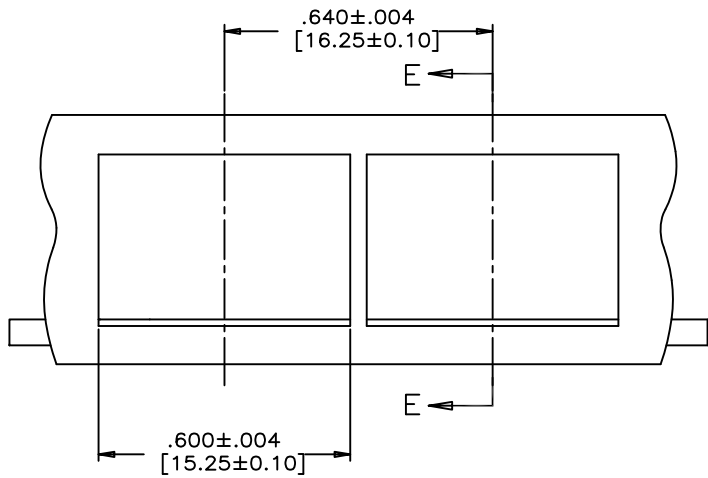
GENERAL TOLERANCES		DWG. APPRD.	
DECIMALS	INCH	MILLIMETERS	ENG. REL. NO.
	X.XX±0.010	X.X±0.25	REF.
	X.XXX±0.006	X.XX±0.15	X
ANGLES	X°±1°	DIMENSIONS ARE IN INCHES [mm]	CODE ID. NO. 03554
	X.X°±0.5°		

DWG	A	DRAWING NO.	P-UX75-A20-X00XX	REV.	P
SCALE	4/1	WT.	-----	SURF.	-----
			SHEET	1 OF 3	

THIS DOCUMENT CONTAINS PROPRIETARY INFORMATION AND SUCH INFORMATION MAY NOT BE DISCLOSED TO OTHERS FOR ANY PURPOSE OR USED FOR MANUFACTURING PURPOSES WITHOUT WRITTEN PERMISSION FROM AMPHENOL CANADA CORP.

REVISIONS				
SYM	ZONE	ECN, ERN NO.	DATE	APPRD.
K		UPDATED MATERIAL FOR HOUSING	MAY29/07	J.S.
L		UPDATED	APR16/08	A.G.
M		UPDATED	MAR 14/11	J.S.
N		UPDATED	NOV 21/11	J.S.
P		UPDATED	JUL 16/12	J.S.

THIS IS A CAD DRAWING. DO NOT MANUALLY REVISE.



DRAWN	J.SI	DATE	2005/03/08
DESIGNED	J.SI	DATE	2005/03/08
CHECKED	X		
APPROVED			

Amphenol Canada Corp.

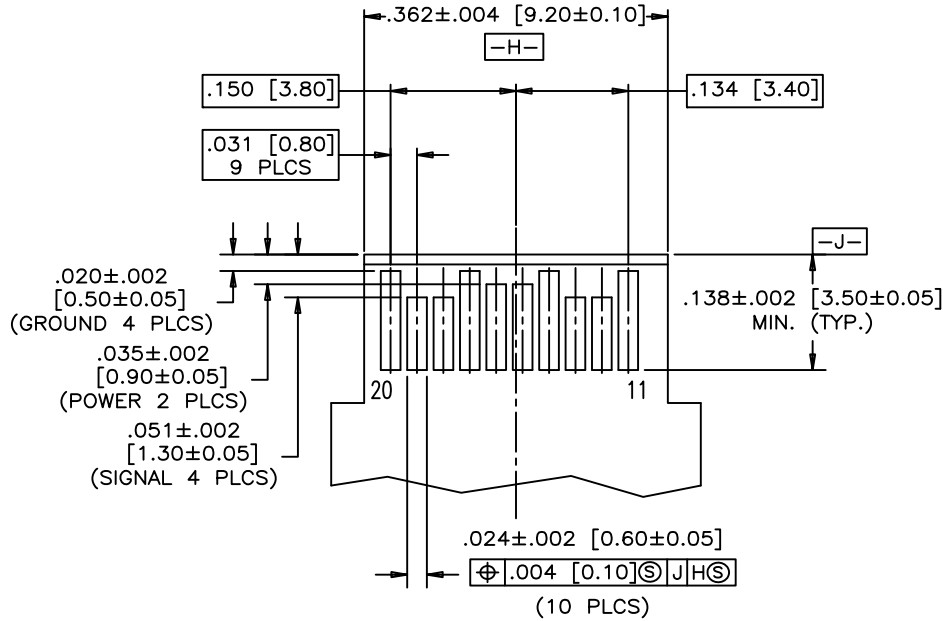
TITLE
SFP 20 POSITION HIGH SPEED CONNECTOR RECEPTACLE FIXED BOARD, RIGHT ANGLE SMT OPTIONAL PLATING AND LUBRICANT ON MATING

GENERAL TOLERANCES		DWG. APPRD.	DWG. NO.	REV.
DECIMALS	X.XX±0.010 X.XXX±0.006	X.X±0.25 X.XX±0.15	REF. X	A
ANGLES	X°±1° X.X°±0.5°	DIMENSIONS ARE IN INCHES [mm]	CODE ID. NO. 03554	P
SCALE 2/1		WT. -----	SURF. -----	SHEET 2 OF 3

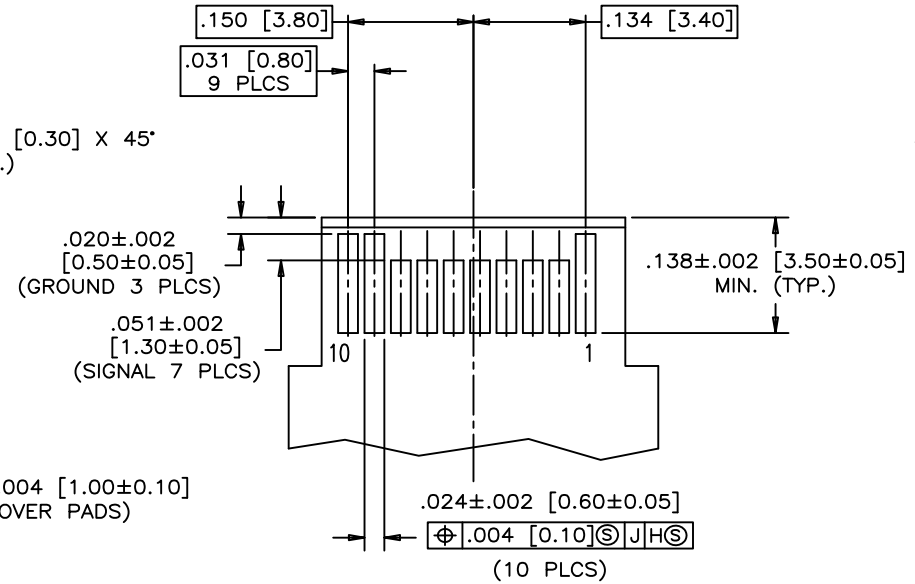
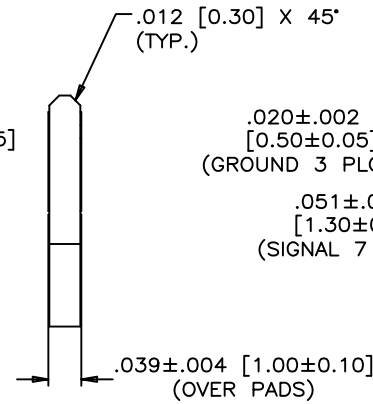
THIS DOCUMENT CONTAINS PROPRIETARY INFORMATION AND SUCH INFORMATION MAY NOT BE DISCLOSED TO OTHERS FOR ANY PURPOSE OR USED FOR MANUFACTURING PURPOSES WITHOUT WRITTEN PERMISSION FROM AMPHENOL CANADA CORP.

REVISIONS				
SYM	ZONE	ECN, ERN NO.	DATE	APPRD.
K		UPDATED MATERIAL FOR HOUSING	MAY29/07	J.S.
L		UPDATED	APR16/08	A.G.
M		UPDATED	MAR 14/11	J.S.
N		UPDATED	NOV 21/11	J.S.
P		UPDATED	JUL 16/12	J.S.

THIS IS A CAD DRAWING. DO NOT MANUALLY REVISE.



TOP VIEW OF BOARD



BOTTOM VIEW OF BOARD

RECOMMENDED LAYOUT DETAIL
MATING TRANSCEIVER PCB

DRAWN	J.SI	DATE	2005/03/08
DESIGNED	J.SI	DATE	2005/03/08
CHECKED	X		X

Amphenol Canada Corp.

TITLE
SFP 20 POSITION HIGH SPEED CONNECTOR
RECEPTACLE FIXED BOARD, RIGHT ANGLE SMT
OPTIONAL PLATING AND LUBRICANT ON MATING

GENERAL TOLERANCES		DWG. APPRD.	ENG. REL. NO.
DECIMALS	X.XX±0.010 X.XXX±0.006	X.X±0.25 X.XX±0.15	REF. X
ANGLES	X°±1° X.X°±0.5°	DIMENSIONS ARE IN INCHES [mm]	CODE ID. NO. 03554

DWG	A	DRAWING NO.	P-UX75-A20-X00XX	REV.	P
SCALE	4:1	WT.	-----	SURF.	-----
			SHEET	3	OF 3

THIS DOCUMENT CONTAINS PROPRIETARY INFORMATION AND SUCH INFORMATION MAY NOT BE DISCLOSED TO OTHERS FOR ANY PURPOSE OR USED FOR MANUFACTURING PURPOSES WITHOUT WRITTEN PERMISSION FROM AMPHENOL CANADA CORP.