



Chipsmall Limited consists of a professional team with an average of over 10 year of expertise in the distribution of electronic components. Based in Hongkong, we have already established firm and mutual-benefit business relationships with customers from,Europe,America and south Asia,supplying obsolete and hard-to-find components to meet their specific needs.

With the principle of “Quality Parts,Customers Priority,Honest Operation,and Considerate Service”,our business mainly focus on the distribution of electronic components. Line cards we deal with include Microchip,ALPS,ROHM,Xilinx,Pulse,ON,Everlight and Freescale. Main products comprise IC,Modules,Potentiometer,IC Socket,Relay,Connector.Our parts cover such applications as commercial,industrial, and automotives areas.

We are looking forward to setting up business relationship with you and hope to provide you with the best service and solution. Let us make a better world for our industry!



Contact us

Tel: +86-755-8981 8866 Fax: +86-755-8427 6832

Email & Skype: info@chipsmall.com Web: www.chipsmall.com

Address: A1208, Overseas Decoration Building, #122 Zhenhua RD., Futian, Shenzhen, China



AMPHENOL PART NUMBER CONFIGURATION
 UE86-3G2620-X0X61

LIGHT PIPE OPTION

- 0 - NO LIGHT PIPE
- 1 - 4 LP PER 2X1, NORMAL ORIENTATION
- 2 - 2 INNER LP PER 2X1, NORMAL ORIENTATION
- 3 - 2 OUTER LP PER 2X1, NORMAL ORIENTATION
- 4 - 4 LP PER 2X1, REVERSING ORIENTATION
- 5 - 2 INNER LP PER 2X1, REVERSING ORIENTATION
- 6 - 2 OUTER LP PER 2X1, REVERSING ORIENTATION
- 7 - 3 LP PER 2X1, 2 OUTER LP, NORMAL ORIENTATION
- 8 - 3 LP PER 2X1, 2 OUTER LP, REVERSING ORIENTATION

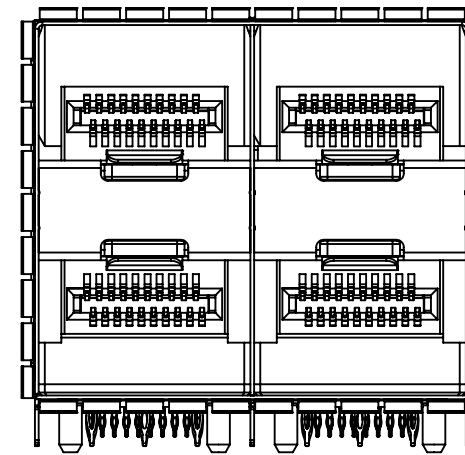
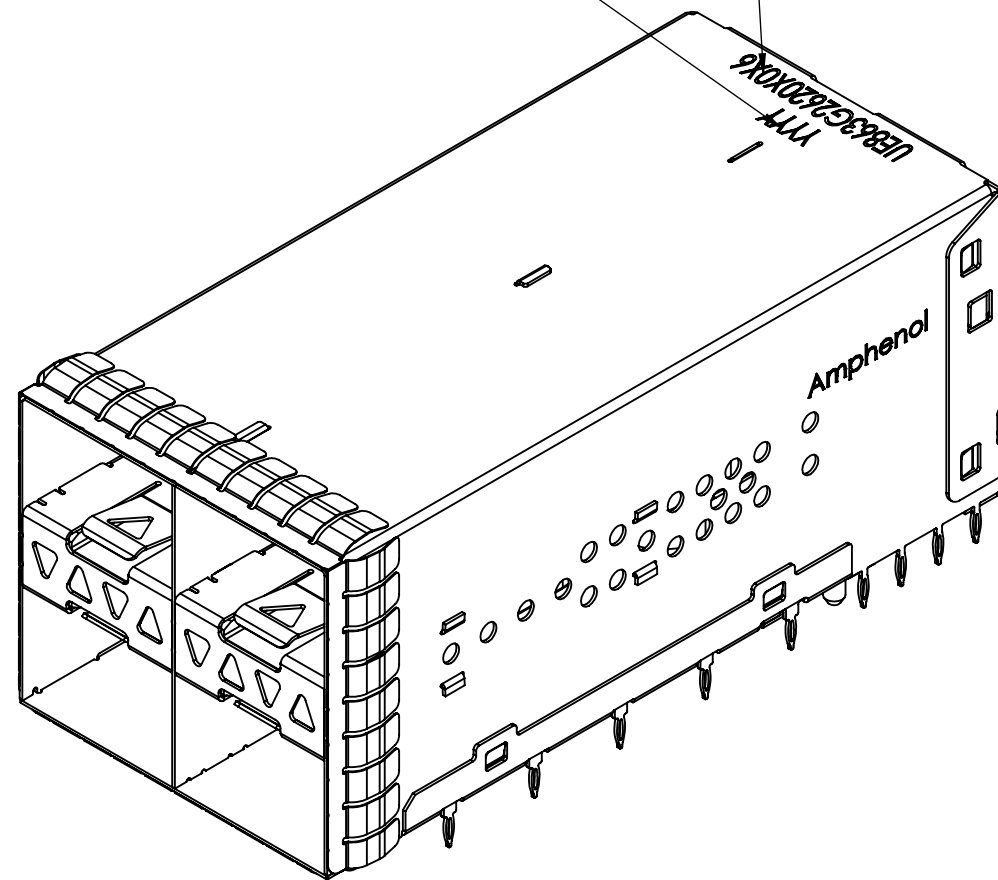
PACKAGING

- 1 - TRAY PACKAGING (STACKED)

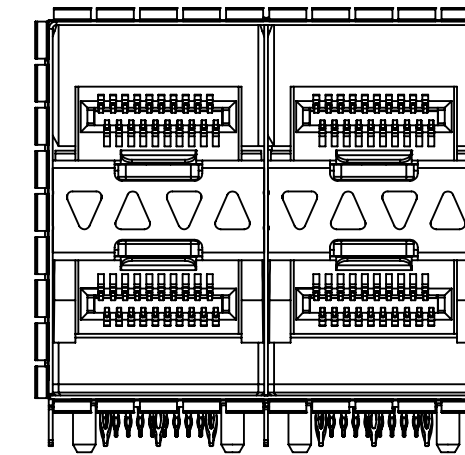
PLATING OPTIONS FOR CONNECTOR

- 2 - 30µ" GOLD PLATING ON MATING AREA
15~100µ" MATTE TIN ON TERMINATION
- 3 - 30µ" GOLD PLATING ON MATING AREA
150~300µ" MATTE TIN ON TERMINATION
- 5 - 15µ" GOLD PLATING ON MATING AREA
15~100µ" MATTE TIN ON TERMINATION
- 6 - 15µ" GOLD PLATING ON MATING AREA
150~300µ" MATTE TIN ON TERMINATION

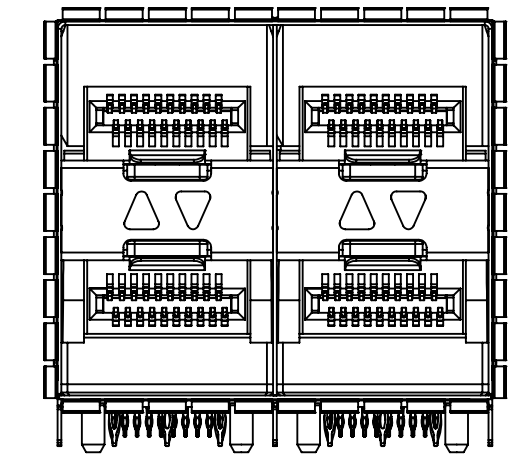
PART NUMBER (LAST DIGIT INDICATING PACKAGING TYPE, NOT PRINTED ON THE PART)
 DATE CODE



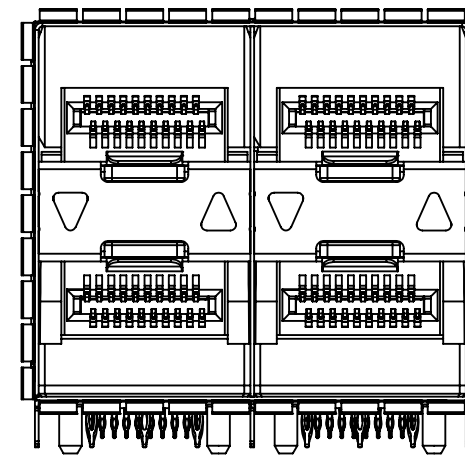
NO LIGHT PIPES
 UE86-3G2620-00X61



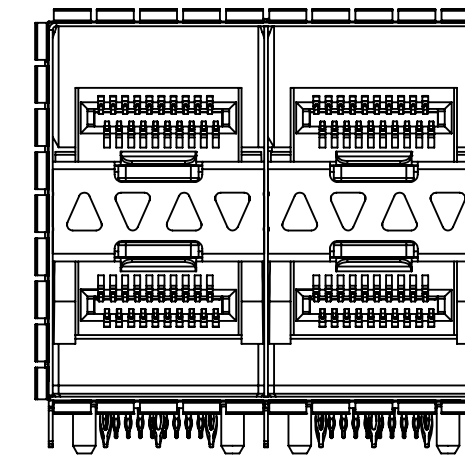
4 LIGHT PIPES
 UE86-3G2620-10X61



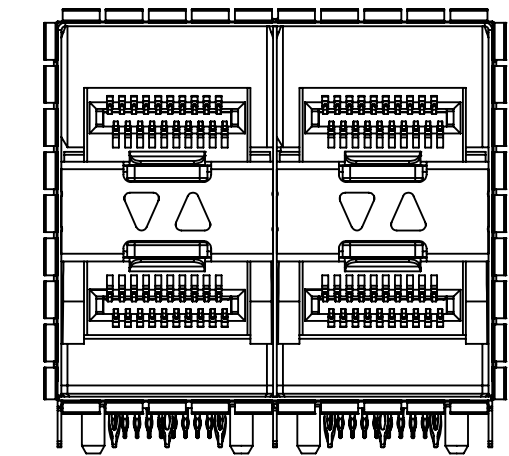
2 INNER LIGHT PIPES
 UE86-3G2620-20X61



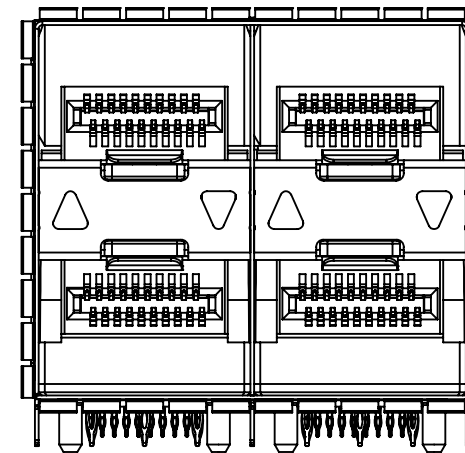
2 OUTER LIGHT PIPES
 UE86-3G2620-30X61



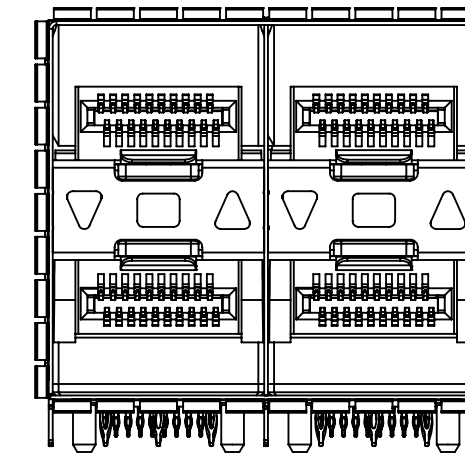
4 LIGHT PIPES UPSIDE DOWN
 UE86-3G2620-40X61



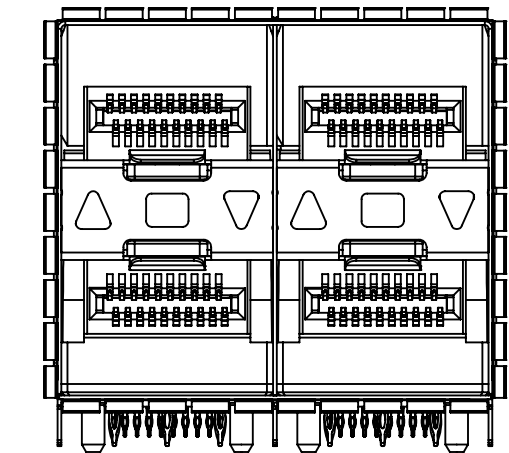
2 INNER LIGHT PIPES UPSIDE DOWN
 UE86-3G2620-50X61



2 OUTER LIGHT PIPES UPSIDE DOWN
 UE86-3G2620-60X61



3 LIGHT PIPES
 UE86-3G2620-70X61



3 LIGHT PIPES UPSIDE DOWN
 UE86-3G2620-80X61

MATERIAL: (RoHS COMPLIANT)

1. CAGE - PRESS FIT: COPPER ALLOY (NICKEL SILVER)
2. CONNECTOR - PRESS FIT:
 -PLASTIC HOUSING: LCP, FLAMMABILITY RATING UL94-V0.
 -CONTACTS: PHOSPHOR BRONZE
3. LIGHT PIPE: CLEAR POLYCARBONATE, FLAMMABILITY RATING UL94-V0.
4. PACKAGING: TRAY PACKAGING.
5. TEMPERATURE RANGE: -40°C TO +85°C



UNLESS SPECIFIED OTHERWISE	DRAWN	P. OU	FEB10/14
DIMENSIONS ARE IN MILLIMETERS	CHECKED	J. SI	NOV03/15
REFERENCE IN PARENTHESES	M.E. APP'D		
GENERAL TOLERANCES	Q.A. APP'D		
1 DECIMAL PLACE ±0.25	DWG APP'D	J. SI	NOV03/15
2 DECIMAL PLACE ±0.15	MATERIAL AND FINISH	SEE NOTES	
3 DECIMAL PLACE ±0.10	REF.	ECN Exxxxx	
ANGULAR DEGREES ±1°	THIRD ANGLE PROJECTION	DO NOT SCALE DRAWING	
ENG. REL. NO.			

Amphenol High Speed Interconnects
 A Division of Amphenol Corp. www.amphenolcanada.com

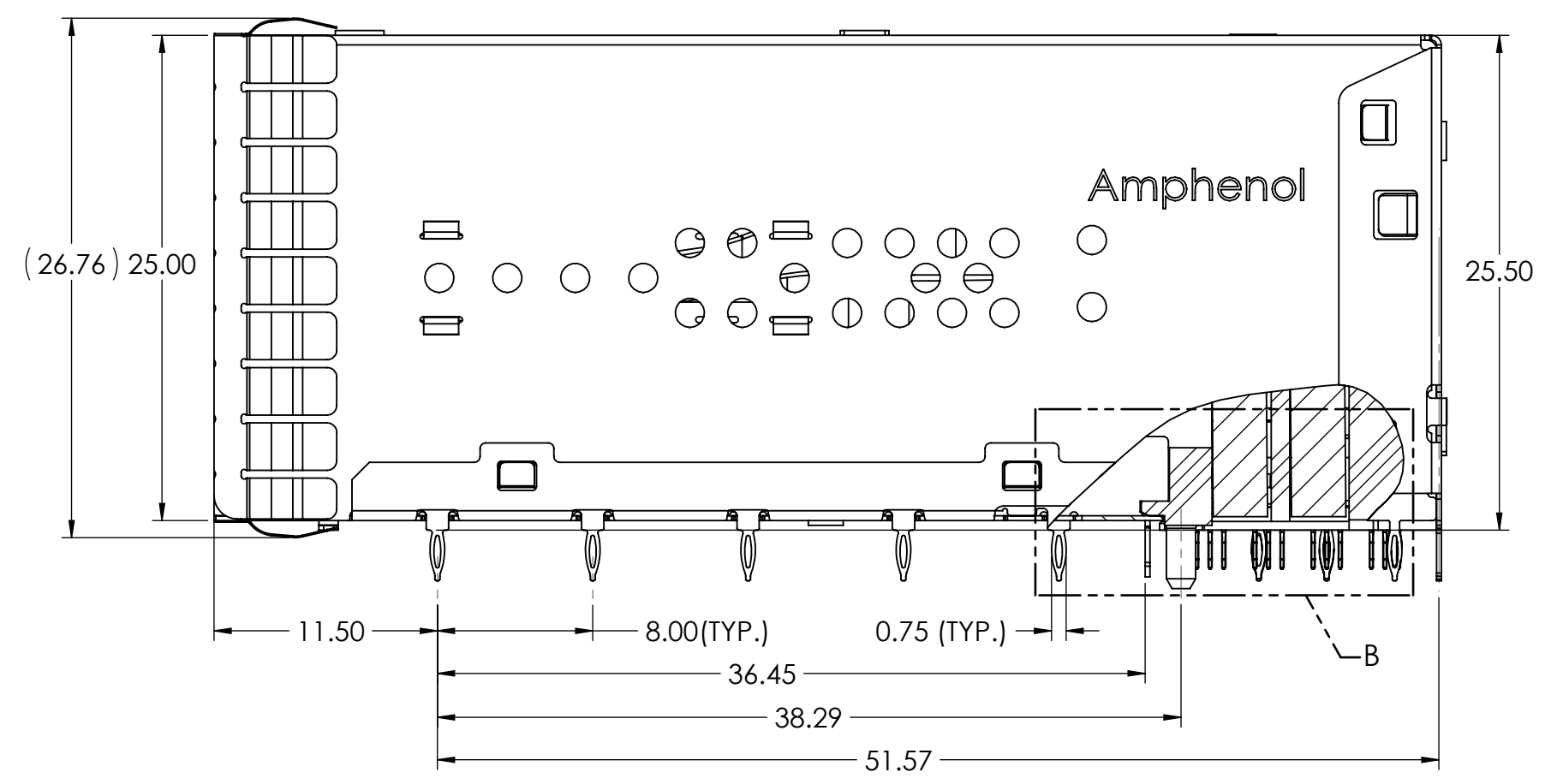
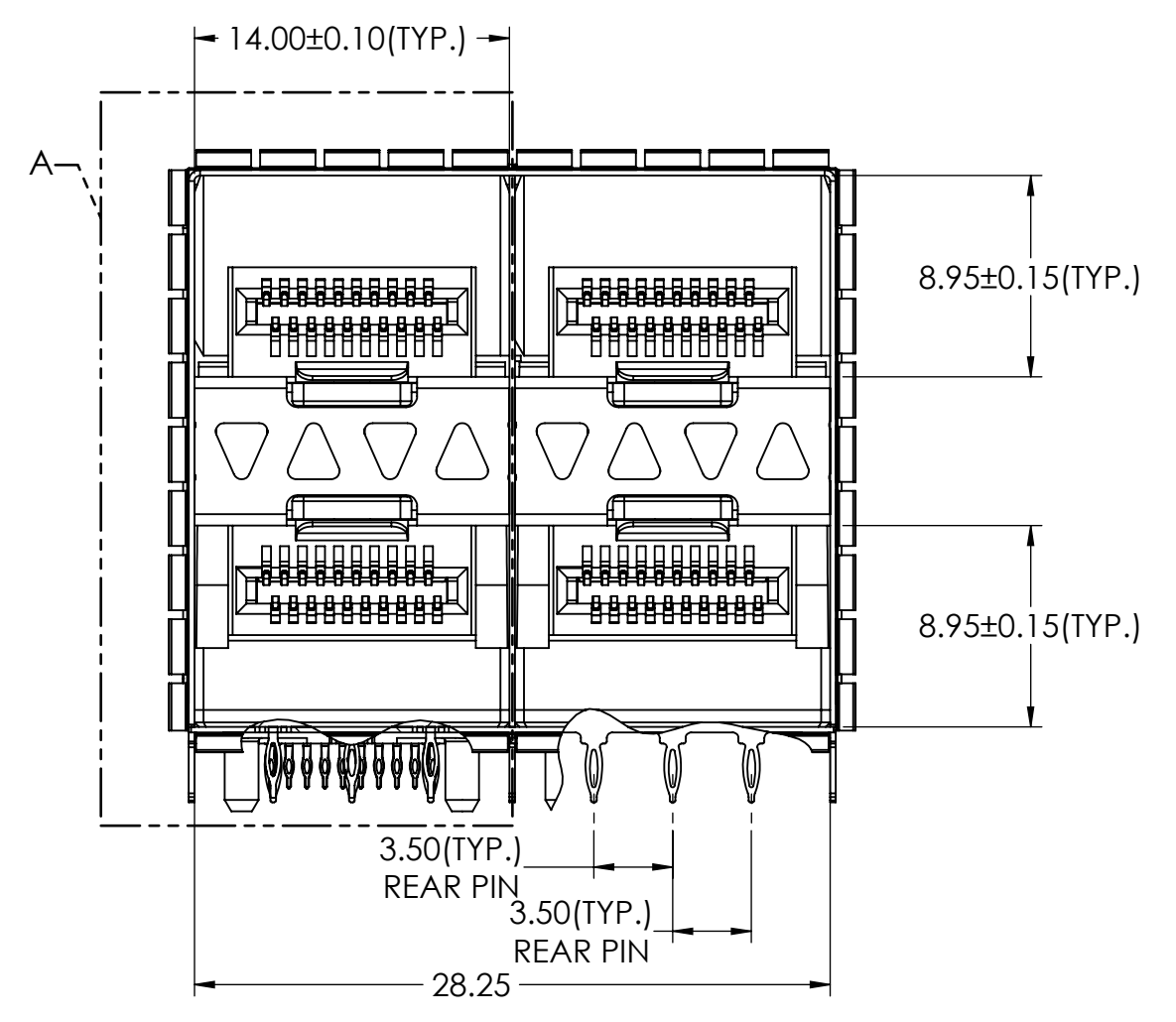
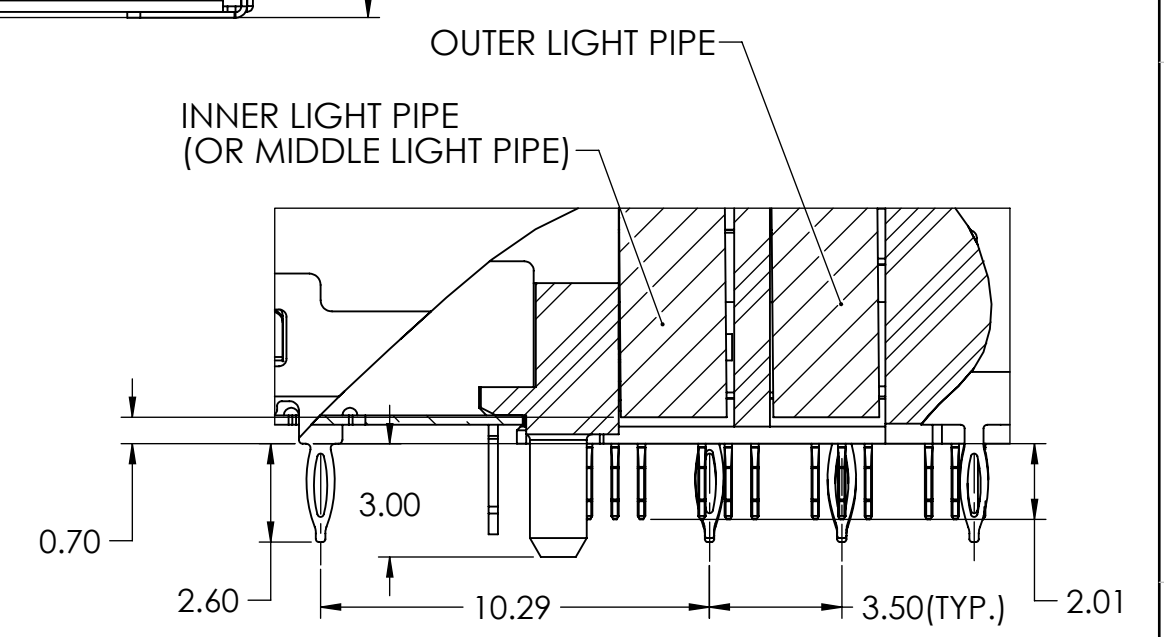
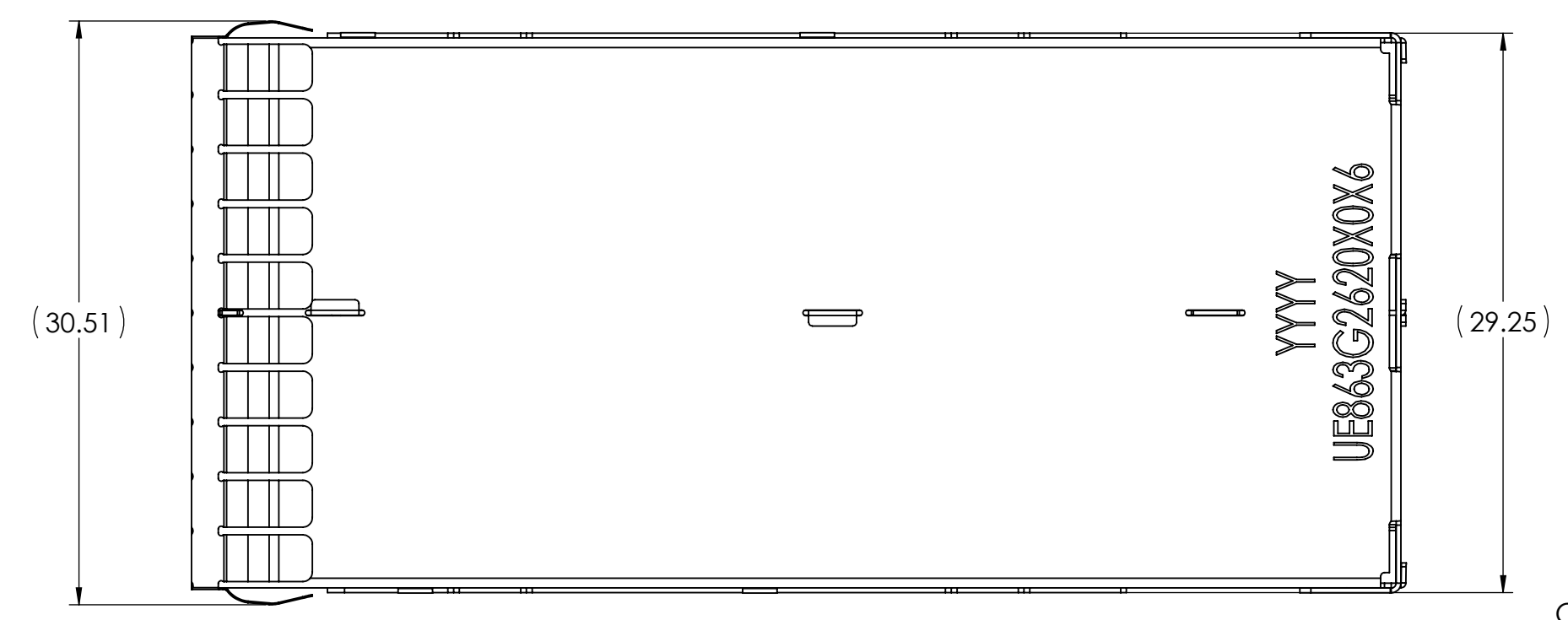
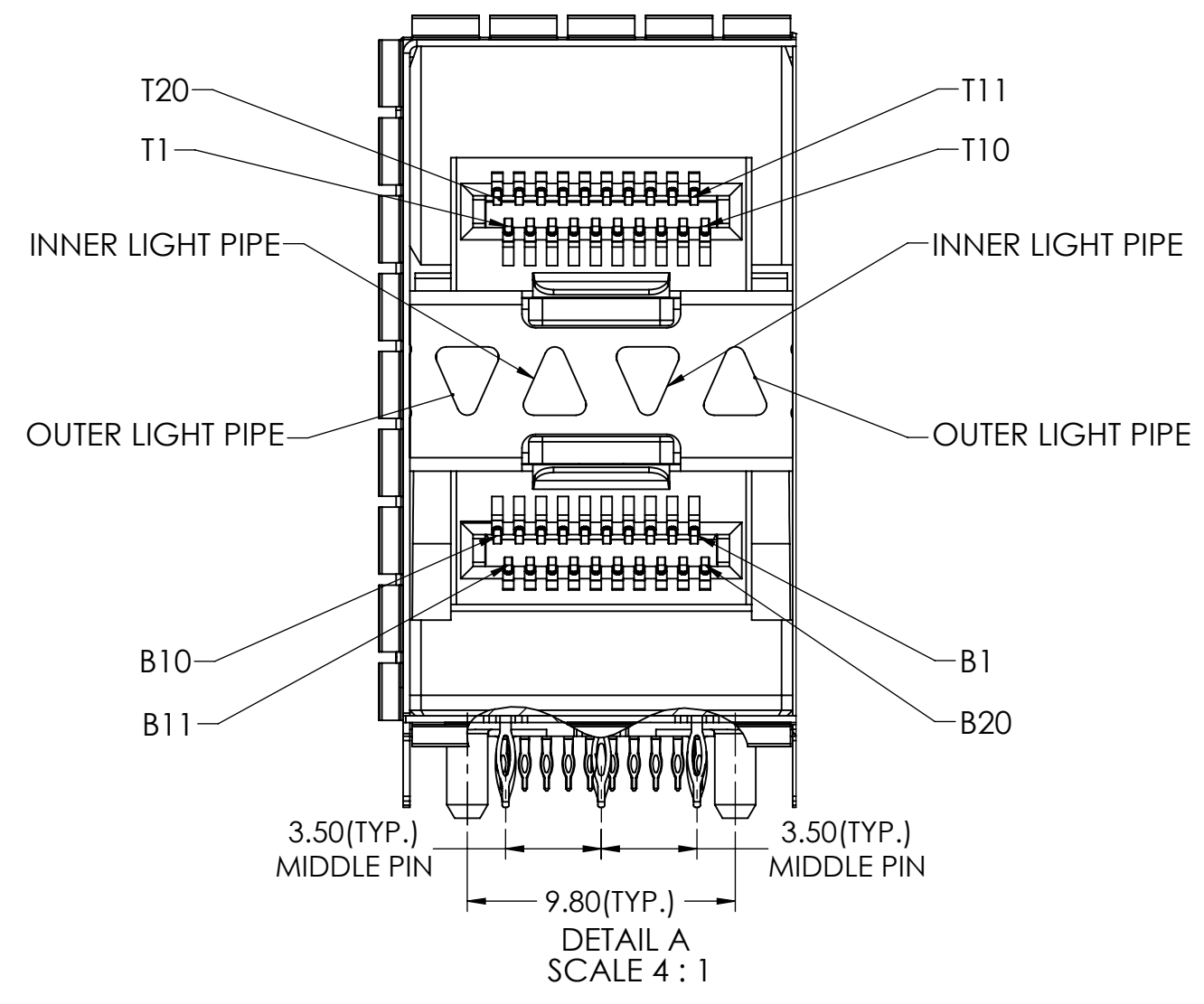
2X2 SFP ULTRAPORT WITH LIGHT PIPE OPTIONS
 AND EMI SPRING FINGER

P-UE86-3G2620-X0X61

THIS DOCUMENT CONTAINS PROPRIETARY INFORMATION AND SUCH INFORMATION MAY NOT BE DISCLOSED TO OTHERS FOR ANY PURPOSE OR USED FOR MANUFACTURING PURPOSES WITHOUT WRITTEN PERMISSION FROM AMPHENOL CANADA CORP.

DWG. NO.	REV. E
CODE ID NO. 03554	DWG SIZE: C
SCALE: 2:1	SHEET 1 OF 4

REVISIONS				
REV.	ECN	DESCRIPTION	DATE	APPROVED
C		UPDATE NOTES	AUG 15/14	J.SI
D		CHANGED PCB THICKNESS	NOV 03/15	J.SI
E		REMOVED DIM. ZONE C2, SHEET 2 OF 4	OCT 31/16	J.SI

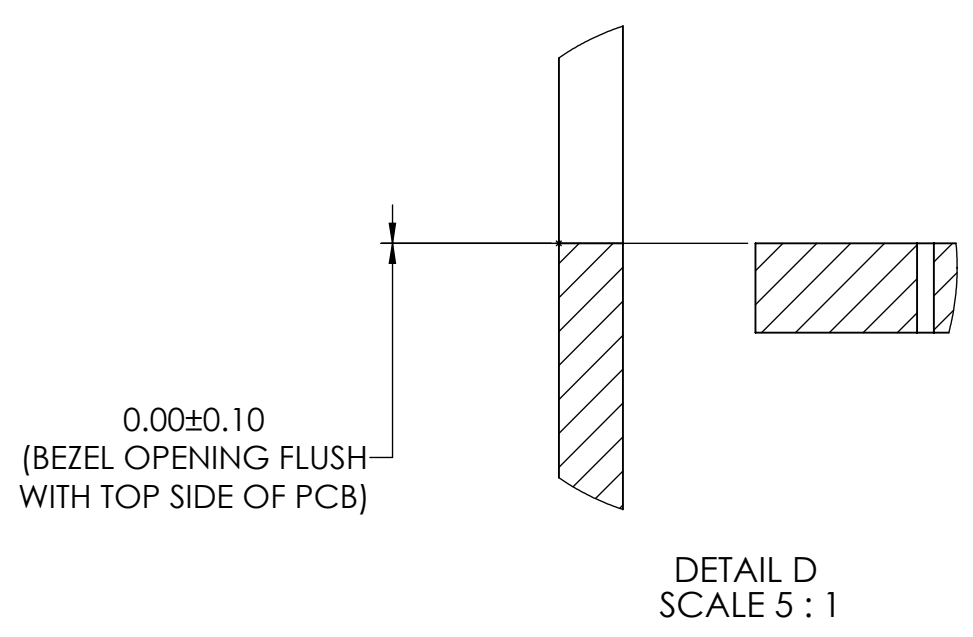
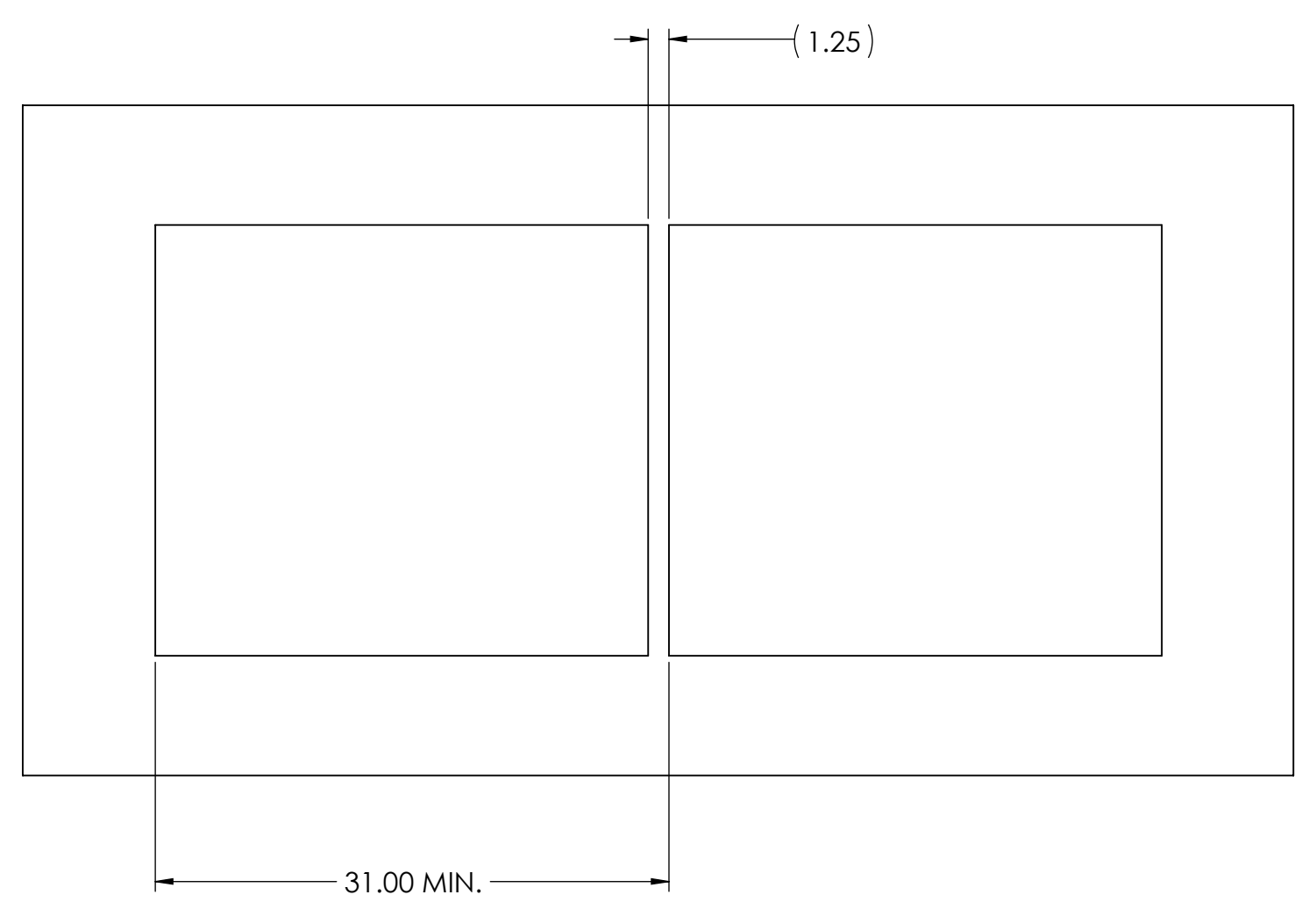
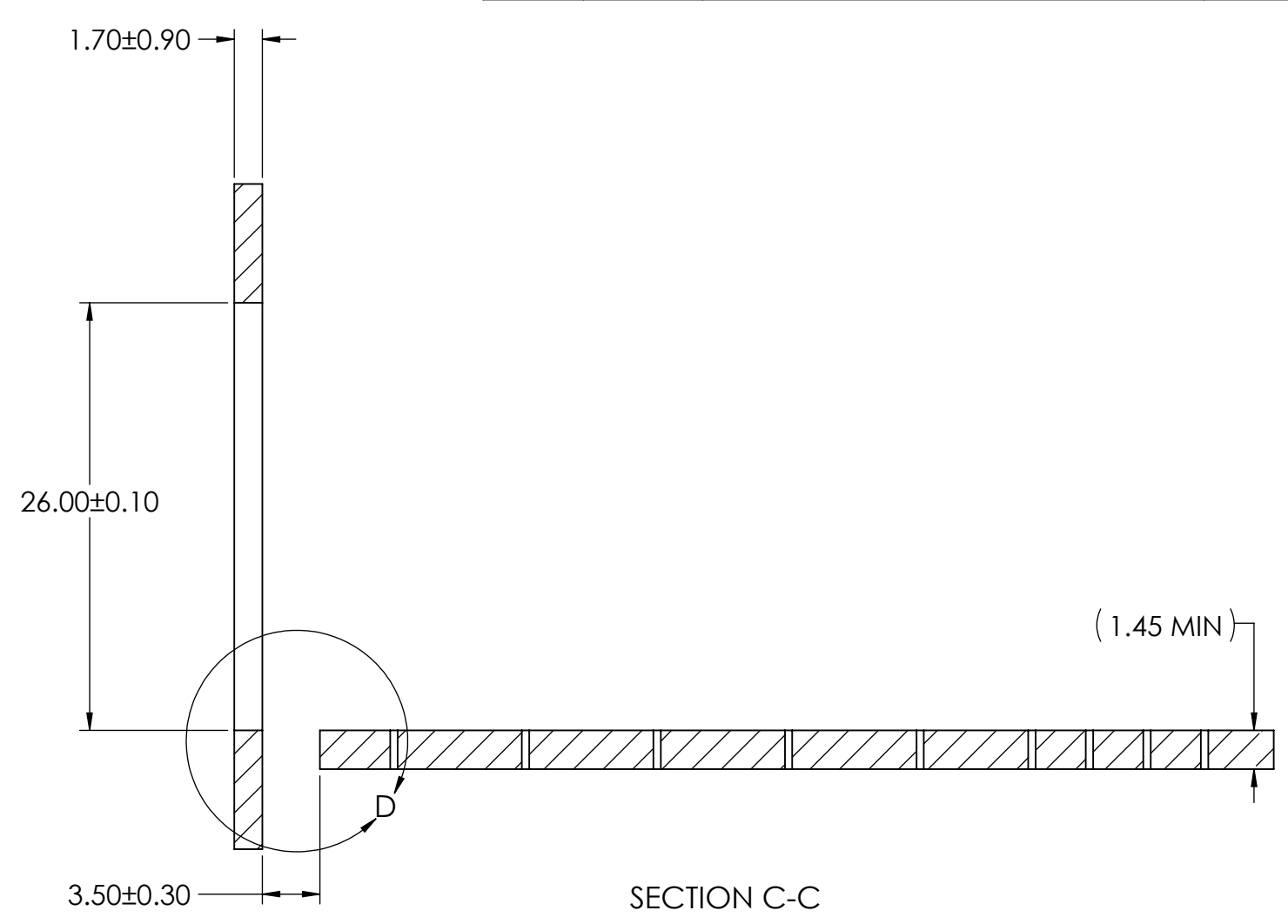
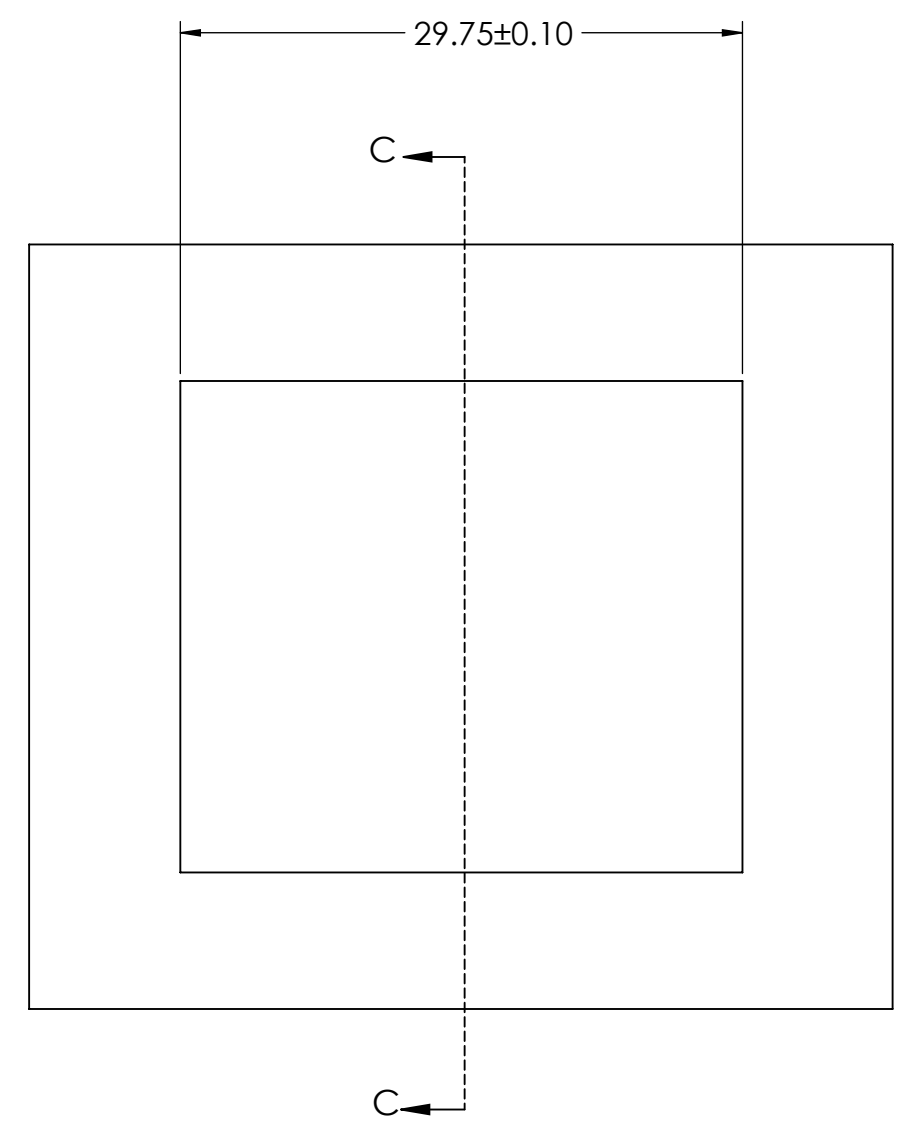


DETAIL B SCALE 5:1

UNLESS SPECIFIED OTHERWISE DIMENSIONS ARE IN MILLIMETERS REFERENCE IN PARENTHESES GENERAL TOLERANCES	DRAWN P. OU CHECKED J. SI M.E. APP'D Q.A. APP'D DWG APP'D J. SI MATERIAL AND FINISH SEE NOTES REF. ECN Exxxxx	FEB10/14 NOV03/15 NOV03/15	Amphenol High Speed Interconnects A Division of Amphenol Corp. www.amphenolcanada.com
1 DECIMAL PLACE ±0.25 2 DECIMAL PLACE ±0.15 3 DECIMAL PLACE ±0.10 ANGULAR DEGREES ±1° ENG. REL. NO.	THIRD ANGLE PROJECTION	DO NOT SCALE DRAWING	2X2 SFP ULTRAPORT WITH LIGHT PIPE OPTIONS AND EMI SPRING FINGER
THIS DOCUMENT CONTAINS PROPRIETARY INFORMATION AND SUCH INFORMATION MAY NOT BE DISCLOSED TO OTHERS FOR ANY PURPOSE OR USED FOR MANUFACTURING PURPOSES WITHOUT WRITTEN PERMISSION FROM AMPHENOL CANADA CORP.		DWG. NO. P-UE86-3G2620-X0X61	REV E
		CODE ID NO. 03554	DWG SIZE: C SCALE: 3:1 SHEET 2 OF 4

THIS DOCUMENT CONTAINS PROPRIETARY INFORMATION AND SUCH INFORMATION MAY NOT BE DISCLOSED TO OTHERS FOR ANY PURPOSE OR USED FOR MANUFACTURING PURPOSES WITHOUT WRITTEN PERMISSION FROM AMPHENOL CANADA CORP.

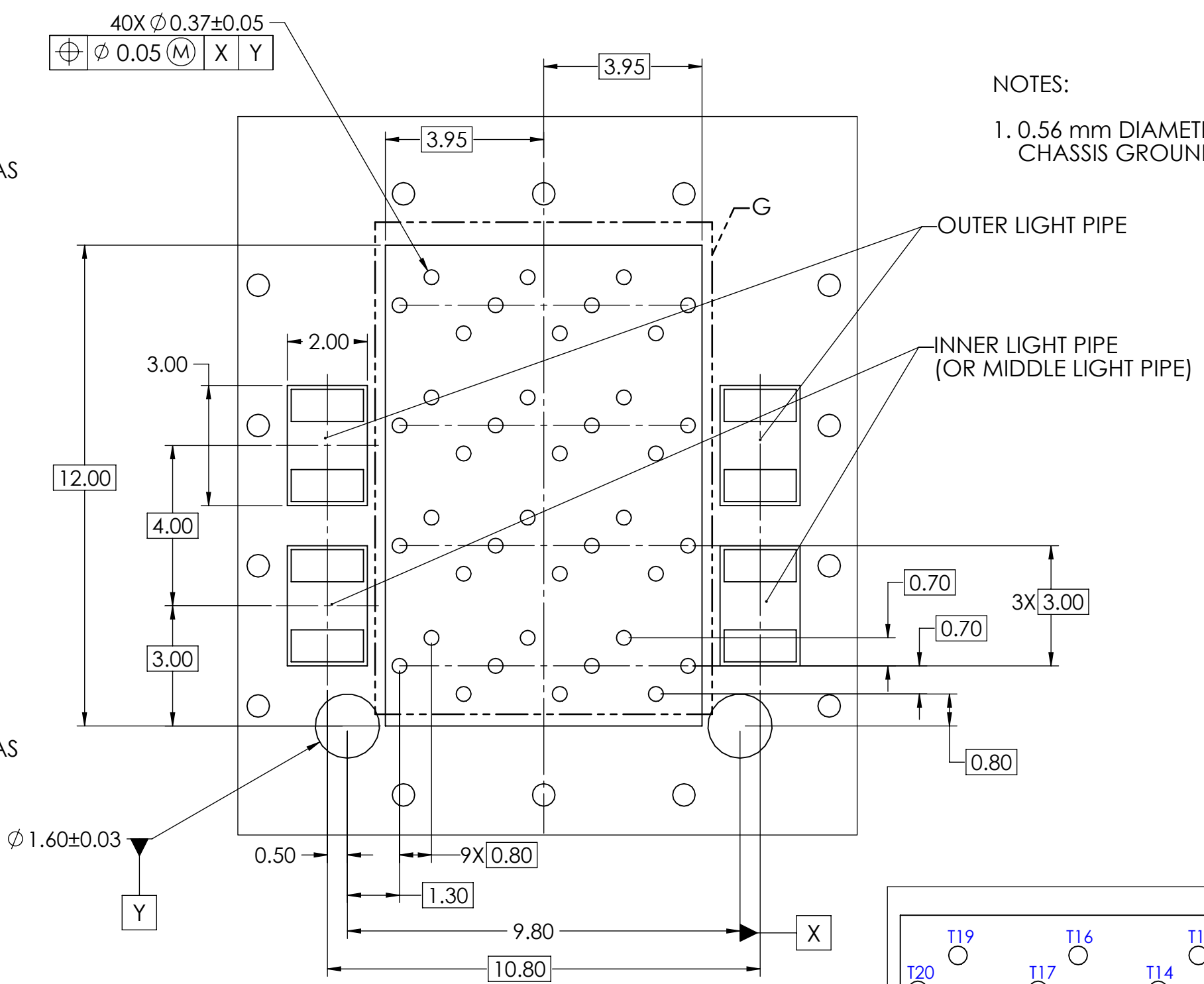
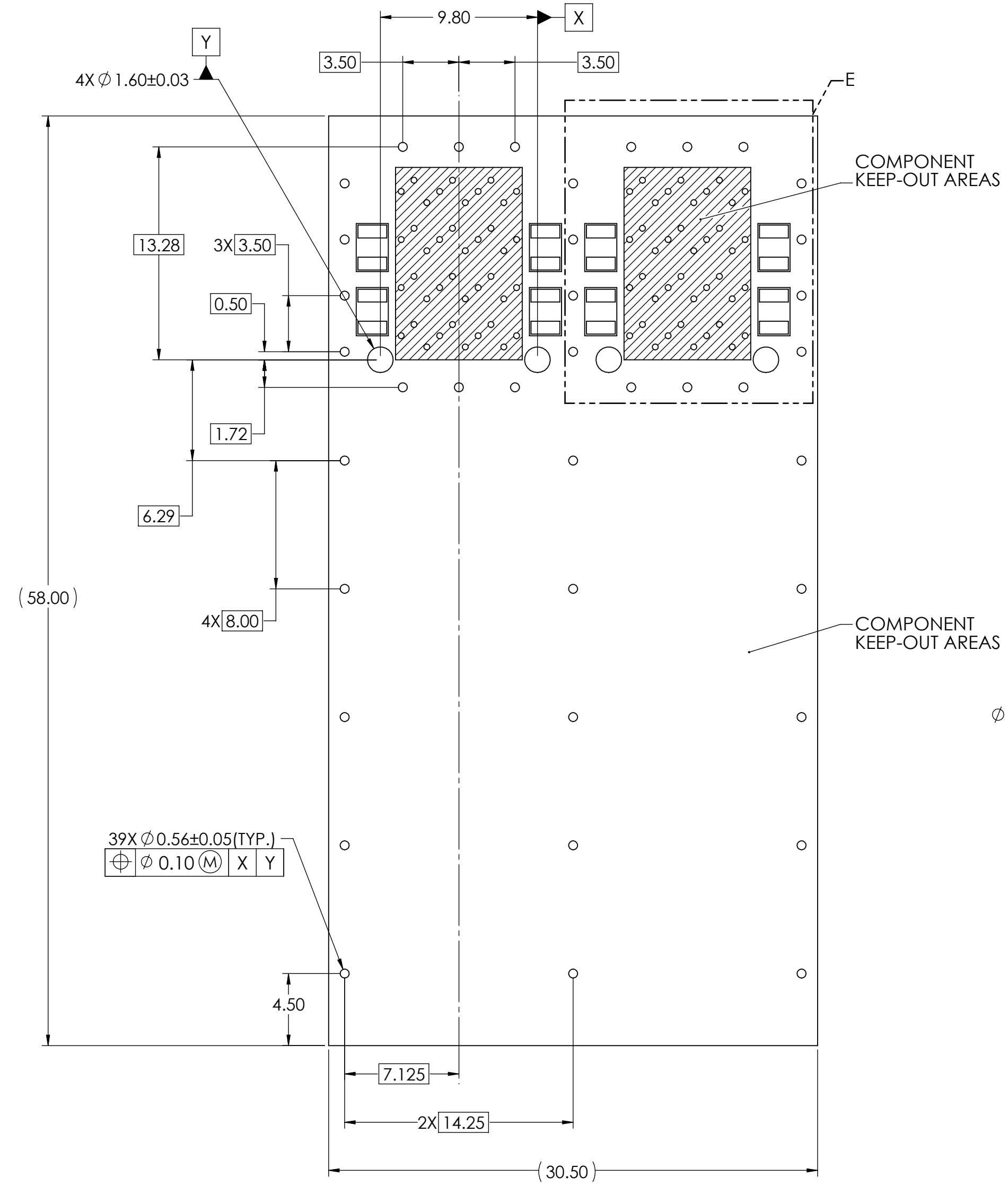
REVISIONS				
REV.	ECN	DESCRIPTION	DATE	APPROVED
C		UPDATE NOTES	AUG 15/14	J.SI
D		CHANGED PCB THICKNESS	NOV 03/15	J.SI
E		REMOVED DIM. ZONE C2, SHEET 2 OF 4	OCT 31/16	J.SI



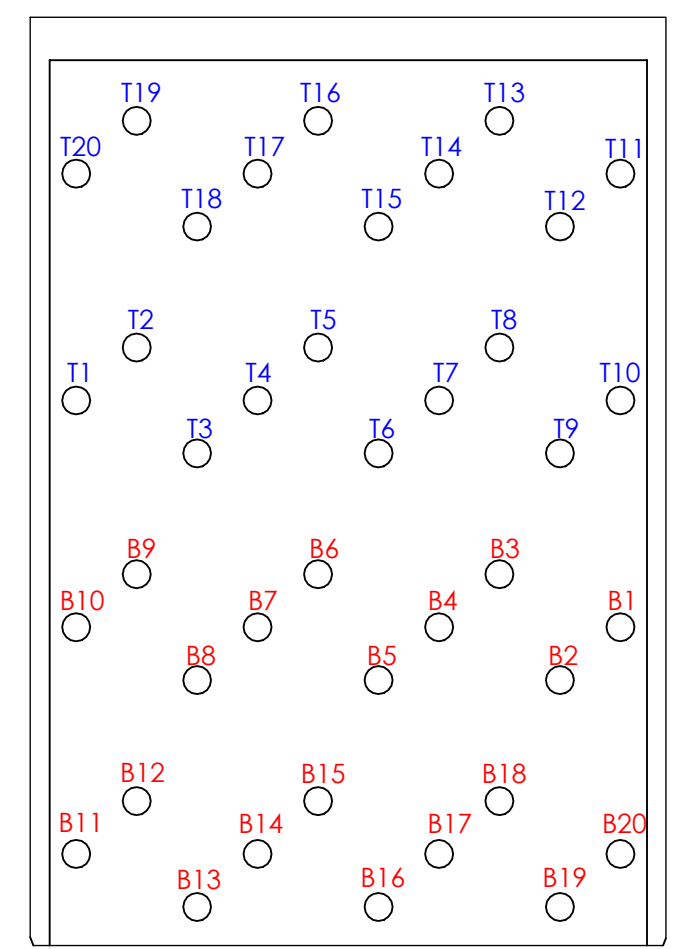
THIS DOCUMENT CONTAINS PROPRIETARY INFORMATION AND SUCH INFORMATION MAY NOT BE DISCLOSED TO OTHERS FOR ANY PURPOSE OR USED FOR MANUFACTURING PURPOSES WITHOUT WRITTEN PERMISSION FROM AMPHENOL CANADA CORP.

UNLESS SPECIFIED OTHERWISE	DRAWN	P. OU	FEB10/14	Amphenol High Speed Interconnects A Division of Amphenol Corp. www.amphenolcanada.com
DIMENSIONS ARE IN MILLIMETERS	CHECKED	J. SI	NOV03/15	
REFERENCE IN PARENTHESES	M.E. APP'D			
GENERAL TOLERANCES	Q.A. APP'D			2X2 SFP ULTRAPORT WITH LIGHT PIPE OPTIONS AND EMI SPRING FINGER
1 DECIMAL PLACE ±0.25	DWG APP'D	J. SI	NOV03/15	
2 DECIMAL PLACE ±0.15	MATERIAL AND FINISH	SEE NOTES		
3 DECIMAL PLACE ±0.10	REF.	ECN Exxxxx		
ANGULAR DEGREES ±1°	THIRD ANGLE PROJECTION	DO NOT SCALE DRAWING		DWG. NO. P-UE86-3G2620-X0X61
ENG. REL. NO.				REV E
		CODE ID NO. 03554	DWG SIZE: C	SCALE: 2.5:1
				SHEET 3 OF 4

REVISIONS				
REV.	ECN	DESCRIPTION	DATE	APPROVED
C		UPDATE NOTES	AUG 15/14	J.SI
D		CHANGED PCB THICKNESS	NOV 03/15	J.SI
E		REMOVED DIM. ZONE C2, SHEET 2 OF 4	OCT 31/16	J.SI



NOTES:
1. 0.56 mm DIAMETER HOLES ARE CHASSIS GROUND (39HOLES).



THIS DOCUMENT CONTAINS PROPRIETARY INFORMATION AND SUCH INFORMATION MAY NOT BE DISCLOSED TO OTHERS FOR ANY PURPOSE OR USED FOR MANUFACTURING PURPOSES WITHOUT WRITTEN PERMISSION FROM AMPHENOL CANADA CORP.

UNLESS SPECIFIED OTHERWISE	DRAWN	P. OU	FEB10/14	Amphenol High Speed Interconnects A Division of Amphenol Corp. www.amphenolcanada.com
DIMENSIONS ARE IN MILLIMETERS	CHECKED	J. SI	NOV03/15	
REFERENCE IN PARENTHESES	M.E. APP'D			2X2 SFP ULTRAPORT WITH LIGHT PIPE OPTIONS AND EMI SPRING FINGER
GENERAL TOLERANCES	Q.A. APP'D			
1 DECIMAL PLACE ± 0.25	DWG APP'D	J. SI	NOV03/15	REV E
2 DECIMAL PLACE ± 0.15	MATERIAL AND FINISH	SEE NOTES		
3 DECIMAL PLACE ± 0.10	REF.	ECN Exxxxx	DWG. NO.	P-UE86-3G2620-X0X61
ANGULAR DEGREES $\pm 1^\circ$	THIRD ANGLE PROJECTION	DO NOT SCALE DRAWING	CODE ID NO. 03554	
ENG. REL. NO.			DWG SIZE: C	SCALE: 4:1
				SHEET 4 OF 4