



Chipsmall Limited consists of a professional team with an average of over 10 year of expertise in the distribution of electronic components. Based in Hongkong, we have already established firm and mutual-benefit business relationships with customers from,Europe,America and south Asia,supplying obsolete and hard-to-find components to meet their specific needs.

With the principle of “Quality Parts,Customers Priority,Honest Operation,and Considerate Service”,our business mainly focus on the distribution of electronic components. Line cards we deal with include Microchip,ALPS,ROHM,Xilinx,Pulse,ON,Everlight and Freescale. Main products comprise IC,Modules,Potentiometer,IC Socket,Relay,Connector.Our parts cover such applications as commercial,industrial, and automotives areas.

We are looking forward to setting up business relationship with you and hope to provide you with the best service and solution. Let us make a better world for our industry!



Contact us

Tel: +86-755-8981 8866 Fax: +86-755-8427 6832

Email & Skype: info@chipsmall.com Web: www.chipsmall.com

Address: A1208, Overseas Decoration Building, #122 Zhenhua RD., Futian, Shenzhen, China



Typical unit



| Output (V) | Current (A) | Nominal Input (V) |
|------------|-------------|-------------------|
| 3.3 | 7.5 | 48 |
| 5 | 5 | 48 |
| 12 | 2.1 | 48 |

FEATURES

- Cost effective small footprint DC/DC converter, ideal for high current applications
- Industry standard 0.96" x 1.1" x 0.32" open frame package and pinout
- Input voltage range of 36-75 Vdc
- 3.3V, 5V, or 12Vdc fixed output voltages
- Isolation up to 2250 VDC (basic)
- Up to 25 Watts total output power with extensive self-protection shutdown features
- High efficiency synchronous rectifier forward topology up to 91%
- Stable operation with no required external components
- Usable -40 to 85°C temperature range (with derating)
- Certified to UL 60950-1, CAN/CSA-C22.2 No. 60950-1, IEC60950-1, EN60950-1 safety approvals, 2nd edition

PRODUCT OVERVIEW

Featuring a full 25 Watt output in one square inch of board area, the UEI25 series isolated DC/DC converter family offers efficient regulated DC power for printed circuit board mounting. The 0.96" x 1.1" x 0.32" (24.4 x 27.9 x 8.1 mm) converter accepts a 2:1 input voltage range of 36 to 75 Volts DC, ideal for telecom equipment. The industry-standard pin-out fits larger 1" x 2" converters. The fixed output voltage is tightly regulated. Applications include small instruments, area-limited microcontrollers, data communications equipment, remote sensor systems, telephone equipment, vehicle and portable electronics.

The UEI25 series includes full magnetic and optical isolation with Basic protection up to 2250 Volts DC. For powering digital systems, the outputs

offer fast settling to step transients and will accept higher capacitive loads. Excellent ripple and noise specifications assure compatibility to noise-susceptible circuits. For systems requiring controlled startup/shutdown, an external remote On/Off control may use a switch, transistor or digital logic.

A wealth of self-protection features avoid both converter and external circuit faults. These include input undervoltage lockout and overtemperature shutdown. The outputs current limit using the "hiccup" autorestart technique and the outputs are short-circuit protected. Additional features include output overvoltage and reverse conduction elimination. The high efficiency offers minimal heat buildup and "no fan" operation.

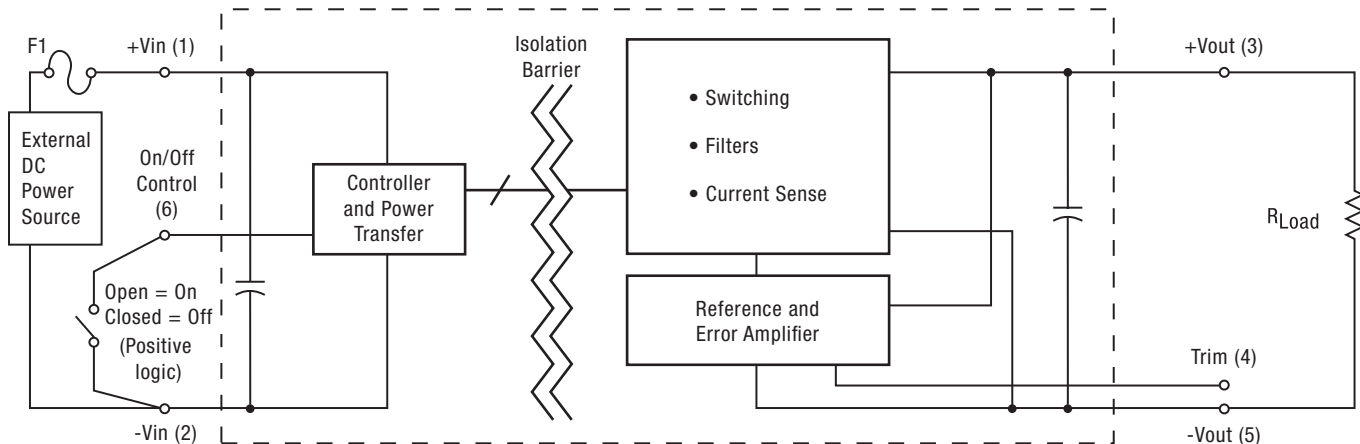


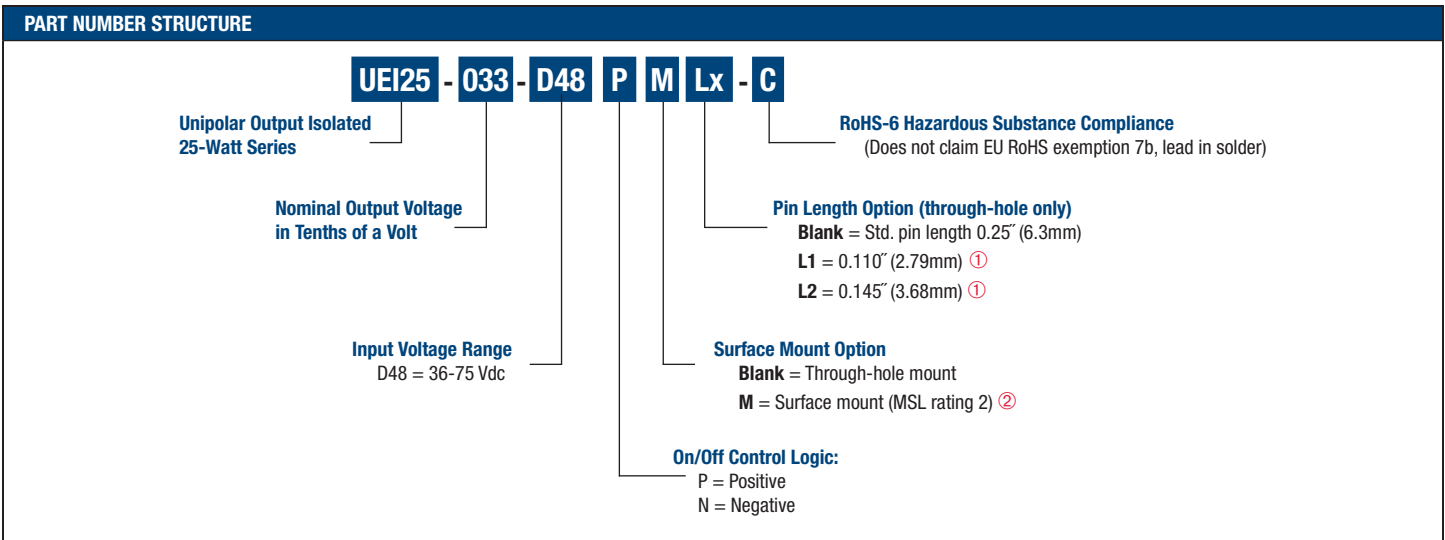
Figure 1. Connection Diagram

Typical topology is shown. Murata Power Solutions recommends an external fuse.



| PERFORMANCE SPECIFICATIONS SUMMARY AND ORDERING GUIDE ① ③ | | | | | | | | | | | | | | | | |
|---|----------------------|---------------------------|-----------------|-------------|------|-------------------|-------|--------------------------|-----------|---------------------------------|--------------------------------|-------|--------------|---------------|---------------|--------|
| Root Models ① | Output | | | | | | Input | | | | Efficiency | | Package, C75 | | | |
| | V _{OUT} (V) | I _{OUT} (A, max) | Total Power (W) | R/N (mVp-p) | | Regulation (Max.) | | V _{IN} Nom. (V) | Range (V) | I _{in, min. load} (mA) | I _{in, full load} (A) | Min. | Typ. | Case (inches) | Case (mm) | Pinout |
| | | | | Typ. ② | Max. | Line | Load | | | | | | | | | |
| UEI25-033-D48 ④ | 3.3 | 7.5 | 25 | 50 | 80 | ±0.1% | ±0.2% | 48 | 36-75 | 75 | 0.58 | 87.0% | 89.5% | 0.96x1.1x0.32 | 24.4x27.9x8.1 | P85 |
| UEI25-050-D48 | 5 | 5 | 25 | 50 | 80 | ±0.1% | ±0.2% | 48 | 36-75 | 30 | 0.57 | 89.0% | 91% | 0.96x1.1x0.32 | 24.4x27.9x8.1 | P85 |
| UEI25-120-D48 | 12 | 2.1 | 25.2 | 95 | 120 | ±0.1% | ±0.1% | 48 | 36-75 | 20 | 0.6 | 86.0% | 87.5% | 0.96x1.1x0.32 | 24.4x27.9x8.1 | P85 |

- Notes:**
- ① Please refer to the part number structure for additional options and complete ordering part numbers.
 - ② Ripple and Noise is shown at 20 MHz bandwidth.
 - ③ All specifications are at nominal line voltage and full load, +25 °C. unless otherwise noted. See detailed specifications for full conditions.
 - ④ Minimum load is 10% for rated specifications.
- Output capacitors are 1 µF ceramic in parallel with 10 µF electrolytic. The input cap is 4.7 µF ceramic, low ESR.
I/O caps are necessary for our test equipment and may not be needed for your application.



- ① Special quantity order is required; samples available with standard pin length only.
- ② SMT (M) versions not available in sample quantities.
- ③ Some model number combinations may not be available. See website or contact your local Murata sales representative.

FUNCTIONAL SPECIFICATIONS – MODEL UEI25-033-D48

| ABSOLUTE MAXIMUM RATINGS | Conditions ① | Minimum | Typical/Nominal | Maximum | Units |
|---|---|---------|-----------------|---------|-------------------------|
| Input Voltage, Continuous | Full power operation | 0 | | 80 | Vdc |
| Input Voltage, Transient | Operating or non-operating, 100 mS max. duration | 0 | | 100 | Vdc |
| Isolation Voltage | Input to output | | | 2250 | Vdc |
| Input Reverse Polarity | None, install external fuse | | None | | Vdc |
| On/Off Remote Control | Power on or off, referred to -Vin | 0 | | 15 | Vdc |
| Output Power | | 0 | | 25.25 | W |
| Output Current | Current-limited, no damage, short-circuit protected | 0 | | 7.5 | A |
| Storage Temperature Range | Vin = Zero (no power) | -55 | | 125 | °C |
| Absolute maximums are stress ratings. Exposure of devices to greater than any of these conditions may adversely affect long-term reliability. Proper operation under conditions other than those listed in the Performance/Functional Specifications Table is not implied or recommended. | | | | | |
| INPUT | | | | | |
| Operating voltage range | | 36 | 48 | 75 | Vdc |
| Recommended External Fuse | Fast blow | | | 1.5 | A |
| Start-up threshold | Rising input voltage | 34 | 35.2 | 36 | Vdc |
| Undervoltage shutdown | Falling input voltage | 32 | 34.0 | 35.2 | Vdc |
| Overvoltage shutdown | | | None | | Vdc |
| Reverse Polarity Protection | None, install external fuse | | None | | Vdc |
| Internal Filter Type | | | LC | | |
| Input current | | | | | |
| Full Load Conditions | Vin = nominal | | 0.58 | 0.60 | A |
| Low Line | Vin = minimum | | 0.79 | 0.81 | A |
| Inrush Transient | | | 0.05 | | A2-Sec. |
| Output in Short Circuit | | | 50 | 100 | mA |
| No Load | Iout = minimum, unit=ON | | 75 | 100 | mA |
| Standby Mode (Off, UV, OT) | | | 1 | 2 | mA |
| Reflected (back) ripple current ② | Measured at input with specified filter | | 30 | | mA, RMS |
| Pre-biased startup | External output voltage < Vset | | Monotonic | | |
| GENERAL and SAFETY | | | | | |
| Efficiency | Vin=48V, full load | 87 | 89.5 | | % |
| | Vin=36V, full load | 86.5 | 87.5 | | % |
| Isolation | | | | | |
| Isolation Voltage | Input to output, continuous | 2250 | | | Vdc |
| Insulation Safety Rating | | | basic | | |
| Isolation Resistance | | 10 | | | Mohm |
| Isolation Capacitance | | | 1000 | | pF |
| Safety | Certified to UL-60950-1, CSA-C22.2 No.60950-1, IEC/EN60950-1, 2nd edition | | Yes | | |
| Calculated MTBF | Per MIL-HDBK-217F, ground benign, Tambient=+30°C | | TBD | | Hours x 10 ⁶ |
| Calculated MTBF | Per Telcordia SR332, issue 1, class 3, ground fixed, Tambient=+40°C | | 2 | | Hours x 10 ⁶ |
| DYNAMIC CHARACTERISTICS | | | | | |
| Fixed Switching Frequency | | 300 | 330 | 360 | KHz |
| Startup Time | Power On to Vout regulated | | | 50 | mS |
| Startup Time | Remote ON to Vout regulated | | | 50 | mS |
| Dynamic Load Response | 50-75-50% load step, settling time to within ±2% of Vout | | 180 | 250 | µSec |
| Dynamic load di/dt | | | | 2 | A/µSec |
| Dynamic Load Peak Deviation | same as above | | ±30 | ±100 | mV |
| FEATURES and OPTIONS | | | | | |
| Remote On/Off Control ④ | | | | | |
| "N" suffix | | | | | |
| Negative Logic, ON state | ON = Ground pin or external voltage | -0.7 | | 1.2 | V |
| Negative Logic, OFF state | OFF = Pin open or external voltage | 10 | | 15 | V |
| Control Current | | | 1 | | mA |
| "P" suffix | | | | | |
| Positive Logic, ON state | ON = Pin open or external voltage | 10 | | 15 | V |
| Positive Logic, OFF state | OFF = Ground pin or external voltage | -0.7 | | 1.2 | V |
| Control Current | | | 1 | | mA |

FUNCTIONAL SPECIFICATIONS (CONT.) – MODEL UEI25-033-D48

| OUTPUT | Conditions ① ③ | Minimum | Typical/Nominal | Maximum | Units |
|---|---------------------------------------|---------|------------------|---------|---------------|
| Total Output Power | See Derating | 0.0 | 25.0 | 25.25 | W |
| Voltage | | | | | |
| Nominal Output Voltage | No trim | 3.267 | 3.30 | 3.333 | Vdc |
| Setting Accuracy | At 50% load | -1 | | +1 | % of Vset. |
| Output Voltage Range | User-adjustable | -10 | | +10 | % of Vnom. |
| Overvoltage Protection | Via magnetic feedback | 4.2 | 5 | 5.7 | Vdc |
| Current | | | | | |
| Output Current Range | | 0.7575 | 7.575 | 7.575 | A |
| Minimum Load ③ | | | 10% minimum load | | % of Iout |
| Current Limit Inception | 98% of Vnom., after warmup | 8.5 | 10 | 11 | A |
| Short Circuit | | | | | |
| Short Circuit Current | Hiccup technique, autorecovery | | | 0.3 | A |
| Short Circuit Duration (remove short for recovery) | Output shorted to ground, no damage | | Continuous | | |
| Short circuit protection method | Current limiting | | | | |
| Regulation ⑤ | | | | | |
| Line Regulation | Vin=min. to max., Vout=nom., 50% load | | | ±0.1 | % of Vout |
| Load Regulation | Iout=min. to max., Vin=48V | | | ±0.2 | % of Vout |
| Ripple and Noise | 5 Hz- 20 MHz BW | | 50 | 80 | mV pk-pk |
| Temperature Coefficient | At all outputs | | 0.02 | | % of Vnom./°C |
| Maximum Capacitive Loading (10% ceramic, 90% Oscon) | Cap. ESR=<0.02Ω, full resistive load | 0 | | 2000 | μF |
| MECHANICAL (Through Hole Models) | | | | | |
| Conditions ① | | | | | |
| Outline Dimensions (no baseplate) | C75 case | | 0.9x1.1x0.32 | | Inches |
| (Please refer to outline drawing) | WxLxH | | 22.86x27.9x8.1 | | mm |
| Weight | | | 0.32 | | Ounces |
| | | | 9.07 | | Grams |
| Through Hole Pin Diameter | | | 0.04 | | Inches |
| | | | 1.016 | | mm |
| Through Hole Pin Material | | | Copper alloy | | |
| TH Pin Plating Metal and Thickness | Nickel subplate | | 50 | | μ-inches |
| | Gold overplate | | 5 | | μ-inches |
| ENVIRONMENTAL | | | | | |
| Operating Ambient Temperature Range | With derating, 200 LFM | -40 | | 85 | °C |
| | No derating, 200 LFM | -40 | | 70 | °C |
| Storage Temperature | Vin = Zero (no power) | -55 | | 125 | °C |
| Thermal Protection/Shutdown | Measured in center | 110 | 115 | 120 | °C |
| Electromagnetic Interference | External filter is required | | | | |
| Conducted, EN55022/CISPR22 | | | B | | Class |
| Radiated, EN55022/CISPR22 | | | B | | Class |
| Relative humidity, non-condensing | To +85°C | 10 | | 90 | %RH |
| Altitude | must derate -1%/1000 feet | -500 | | 10,000 | feet |
| | | -152 | | 3048 | meters |
| RoHS rating | | | RoHS-6 | | |

Notes

- ① Unless otherwise noted, all specifications are at nominal input voltage, nominal output voltage and full load. General conditions are +25° Celsius ambient temperature, near sea level altitude, natural convection airflow. All models are tested and specified with external parallel 1 μF and 10 μF multi-layer ceramic output capacitors. The external input capacitor is 4.7 μF ceramic. All capacitors are low-ESR types wired close to the converter. These capacitors are necessary for our test equipment and may not be needed in the user's application.
- ② Input (back) ripple current is tested and specified over 5 Hz to 20 MHz bandwidth. Input filtering is Cbus=220 μF, Cin=33 μF and Lbus=12 μH.
- ③ All models are stable and regulate to specification under minimum (10%) load. Operation under no load will not damage the converter but may increase regulation, output ripple, and noise.
- ④ The Remote On/Off Control is referred to -Vin.
- ⑤ Regulation specifications describe the output voltage changes as the line voltage or load current is varied from its nominal or midpoint value to either extreme.

FUNCTIONAL SPECIFICATIONS – MODEL UEI25-050-D48

| ABSOLUTE MAXIMUM RATINGS | Conditions ① | Minimum | Typical/Nominal | Maximum | Units |
|---|---|---------|-----------------|---------|-------------------------|
| Input Voltage, Continuous | Full power operation | 0 | | 80 | Vdc |
| Input Voltage, Transient | Operating or non-operating, 100 mS max. duration | 0 | | 100 | Vdc |
| Isolation Voltage | Input to output | | | 2250 | Vdc |
| Input Reverse Polarity | None, install external fuse | | None | | Vdc |
| On/Off Remote Control | Power on or off, referred to -Vin | 0 | | 15 | Vdc |
| Output Power | | 0 | | 25.25 | W |
| Output Current | Current-limited, no damage, short-circuit protected | 0 | | 5 | A |
| Storage Temperature Range | Vin = Zero (no power) | -55 | | 125 | °C |
| Absolute maximums are stress ratings. Exposure of devices to greater than any of these conditions may adversely affect long-term reliability. Proper operation under conditions other than those listed in the Performance/Functional Specifications Table is not implied or recommended. | | | | | |
| INPUT | | | | | |
| Operating voltage range | | 36 | 48 | 75 | Vdc |
| Recommended External Fuse | Fast blow | | | 1.5 | A |
| Start-up threshold | Rising input voltage | 34 | 35 | 36 | Vdc |
| Undervoltage shutdown | Falling input voltage | 32 | 33.5 | 34.5 | Vdc |
| Overvoltage shutdown | | | None | | Vdc |
| Reverse Polarity Protection | None, install external fuse | | None | | Vdc |
| Internal Filter Type | | | LC | | |
| Input current | | | | | |
| Full Load Conditions | Vin = nominal | | 0.57 | 0.59 | A |
| Low Line | Vin = minimum | | 0.76 | 0.79 | A |
| Inrush Transient | | | 0.05 | | A2-Sec. |
| Output in Short Circuit | | | 50 | 100 | mA |
| No Load | Iout = minimum, unit=ON | | 30 | 50 | mA |
| Standby Mode (Off, UV, OT) | | | 1 | 3 | mA |
| Reflected (back) ripple current ② | Measured at input with specified filter | | 30 | | mA, RMS |
| Pre-biased startup | External output voltage < Vset | | Monotonic | | |
| GENERAL and SAFETY | | | | | |
| Efficiency | Vin=48V, full load | 89 | 91 | | % |
| | Vin=36V, full load | 89 | 91 | | % |
| Isolation | | | | | |
| Isolation Voltage | Input to output, continuous | 2250 | | | Vdc |
| Insulation Safety Rating | | | basic | | |
| Isolation Resistance | | 10 | | | Mohm |
| Isolation Capacitance | | | 2000 | | pF |
| Safety | Certified to UL-60950-1, CSA-C22.2 No.60950-1, IEC/EN60950-1, 2nd edition | | Yes | | |
| Calculated MTBF | Per MIL-HDBK-217F, ground benign, Tambient=+30°C | | TBD | | Hours x 10 ⁶ |
| Calculated MTBF | Per Telcordia SR332, issue 1, class 3, ground fixed, Tambient=+40°C | | 2 | | Hours x 10 ⁶ |
| DYNAMIC CHARACTERISTICS | | | | | |
| Fixed Switching Frequency | | 300 | 330 | 360 | KHz |
| Startup Time | Power On to Vout regulated | | | 50 | mS |
| Startup Time | Remote ON to Vout regulated | | | 50 | mS |
| Dynamic Load Response | 50-75-50% load step, settling time to within ±2% of Vout | | 200 | | µSec |
| Dynamic load di/dt | | | | 2 | A/µSec |
| Dynamic Load Peak Deviation | same as above | | ±150 | | mV |
| FEATURES and OPTIONS | | | | | |
| Remote On/Off Control ④ | | | | | |
| "N" suffix | | | | | |
| Negative Logic, ON state | ON = Ground pin or external voltage | -0.7 | | 0.7 | V |
| Negative Logic, OFF state | OFF = Pin open or external voltage | 10 | | 15 | V |
| Control Current | | | 1 | | mA |
| "P" suffix | | | | | |
| Positive Logic, ON state | ON = Pin open or external voltage | 10 | | 15 | V |
| Positive Logic, OFF state | OFF = Ground pin or external voltage | -0.7 | | 0.8 | V |
| Control Current | | | 1 | | mA |

FUNCTIONAL SPECIFICATIONS (CONT.) – MODEL UEI25-050-D48

| OUTPUT | Conditions ① ③ | Minimum | Typical/Nominal | Maximum | Units |
|---|---------------------------------------|---------|-----------------|---------|---------------|
| Total Output Power | See Derating | 0.0 | 25.0 | 25.25 | W |
| Voltage | | | | | |
| Nominal Output Voltage | No trim | 4.95 | 5.00 | 5.05 | Vdc |
| Setting Accuracy | At 50% load | -1 | | +1 | % of Vset. |
| Output Voltage Range | User-adjustable | -10 | | +10 | % of Vnom. |
| Overvoltage Protection | Via magnetic feedback | 6 | 6.5 | 7.5 | Vdc |
| Current | | | | | |
| Output Current Range | | 0 | 5.0 | 5.0 | A |
| Minimum Load ③ | | | No minimum load | | % of Iout |
| Current Limit Inception | 98% of Vnom., after warmup | 5.3 | 6.8 | 7.3 | A |
| Short Circuit | | | | | |
| Short Circuit Current | Hiccup technique, autorecovery | | | 0.3 | A |
| Short Circuit Duration (remove short for recovery) | Output shorted to ground, no damage | | Continuous | | |
| Short circuit protection method | Current limiting | | | | |
| Regulation ⑤ | | | | | |
| Line Regulation | Vin=min. to max., Vout=nom., 50% load | | | ±0.1 | % of Vout |
| Load Regulation | Iout=min. to max., Vin=48V | | | ±0.2 | % of Vout |
| Ripple and Noise | 5 Hz- 20 MHz BW | | 50 | 80 | mV pk-pk |
| Temperature Coefficient | At all outputs | | 0.02 | | % of Vnom./°C |
| Maximum Capacitive Loading (10% ceramic, 90% Oscon) | Cap. ESR=<0.02Ω, full resistive load | 0 | | 2000 | μF |
| MECHANICAL (Through Hole Models) | | | | | |
| Conditions ① | | | | | |
| Outline Dimensions (no baseplate) | C75 case | | 0.96x1.1x0.32 | | Inches |
| (Please refer to outline drawing) | WxLxH | | 24.4x27.9x8.1 | | mm |
| Weight | | | 0.32 | | Ounces |
| | | | 9.07 | | Grams |
| Through Hole Pin Diameter | | | 0.04 | | Inches |
| | | | 1.016 | | mm |
| Through Hole Pin Material | | | Copper alloy | | |
| TH Pin Plating Metal and Thickness | Nickel subplate | | 50 | | μ-inches |
| | Gold overplate | | 5 | | μ-inches |
| ENVIRONMENTAL | | | | | |
| Operating Ambient Temperature Range | With derating, 200 LFM | -40 | | 85 | °C |
| | No derating, 200 LFM, full power | -40 | | 82 | °C |
| Operating Case Temperature Range | No derating | -40 | | 105 | °C |
| Storage Temperature | Vin = Zero (no power) | -55 | | 125 | °C |
| Thermal Protection/Shutdown | Measured in center | 110 | 115 | 120 | °C |
| Electromagnetic Interference | External filter is required | | | | |
| Conducted, EN55022/CISPR22 | | | B | | Class |
| Radiated, EN55022/CISPR22 | | | B | | Class |
| Relative humidity, non-condensing | To +85°C | 10 | | 90 | %RH |
| Altitude | must derate -1%/1000 feet | -500 | | 10,000 | feet |
| | | -152 | | 3048 | meters |
| RoHS rating | | | RoHS-6 | | |

Notes

① Unless otherwise noted, all specifications are at nominal input voltage, nominal output voltage and full load. General conditions are +25° Celsius ambient temperature, near sea level altitude, natural convection airflow. All models are tested and specified with external parallel 1 μF and 10 μF multi-layer ceramic output capacitors. The external input capacitor is 4.7 μF ceramic. All capacitors are low-ESR types wired close to the converter. These capacitors are necessary for our test equipment and may not be needed in the user's application.

② Input (back) ripple current is tested and specified over 5 Hz to 20 MHz bandwidth. Input filtering is Cbus=220 μF, Cin=33 μF and Lbus=12 μH.

③ All models are stable and regulate to specification under no load.

④ The Remote On/Off Control is referred to -Vin.

⑤ Regulation specifications describe the output voltage changes as the line voltage or load current is varied from its nominal or midpoint value to either extreme.

FUNCTIONAL SPECIFICATIONS – MODEL UEI25-120-D48

| ABSOLUTE MAXIMUM RATINGS | Conditions ① | Minimum | Typical/Nominal | Maximum | Units |
|---|---|---------|-----------------|---------|-------------------------|
| Input Voltage, Continuous | Full power operation | 0 | | 80 | Vdc |
| Input Voltage, Transient | Operating or non-operating, 100 mS max. duration | 0 | | 100 | Vdc |
| Isolation Voltage | Input to output | | | 2250 | Vdc |
| Input Reverse Polarity | None, install external fuse | | None | | Vdc |
| On/Off Remote Control | Power on or off, referred to -Vin | 0 | | 15 | Vdc |
| Output Power | | 0 | | 25 | W |
| Output Current | Current-limited, no damage, short-circuit protected | 0 | | 2.1 | A |
| Storage Temperature Range | Vin = Zero (no power) | -55 | | 125 | °C |
| Absolute maximums are stress ratings. Exposure of devices to greater than any of these conditions may adversely affect long-term reliability. Proper operation under conditions other than those listed in the Performance/Functional Specifications Table is not implied or recommended. | | | | | |
| INPUT | | | | | |
| Operating voltage range | | 36 | 48 | 75 | Vdc |
| Recommended External Fuse | Fast blow | | | 1.5 | A |
| Start-up threshold | Rising input voltage | 34 | 35.2 | 36 | Vdc |
| Undervoltage shutdown | Falling input voltage | 32 | 34.0 | 35.2 | Vdc |
| Overvoltage shutdown | | | None | | Vdc |
| Reverse Polarity Protection | None, install external fuse | | None | | Vdc |
| Internal Filter Type | | | capacitive | | |
| Input current | | | | | |
| Full Load Conditions | Vin = nominal | | 0.600 | 0.617 | A |
| Low Line | Vin = minimum | | 0.809 | 0.842 | A |
| Inrush Transient | | | 0.05 | | A2-Sec. |
| Output in Short Circuit | | | 50 | 100 | mA |
| No Load | Iout = minimum, unit=ON | | 20 | 35 | mA |
| Standby Mode (Off, UV, OT) | | | 1 | 2 | mA |
| Reflected (back) ripple current ② | Measured at input with specified filter | | 30 | | mA, RMS |
| Pre-biased startup | External output voltage < Vset | | Monotonic | | |
| GENERAL and SAFETY | | | | | |
| Efficiency | Vin=48V, full load | 86.0 | 87.5 | | % |
| Isolation | | | | | |
| Isolation Voltage | Input to output, continuous | 2250 | | | Vdc |
| Insulation Safety Rating | | | basic | | |
| Isolation Resistance | | 10 | | | Mohm |
| Isolation Capacitance | | | 1700 | | pF |
| Safety | Certified to UL-60950-1, CSA-C22.2 No.60950-1, IEC/EN60950-1 | | Yes | | |
| Calculated MTBF | Per MIL-HDBK-217F, ground benign, Tambient=+30°C | | TBD | | Hours x 10 ⁶ |
| Calculated MTBF | Per Telcordia SR332, issue 1, class 3, ground fixed, Tambient=+40°C | | 2 | | Hours x 10 ⁶ |
| DYNAMIC CHARACTERISTICS | | | | | |
| Fixed Switching Frequency | | 295 | 325 | 355 | KHz |
| Startup Time | Power On to Vout regulated | | 10 | 50 | mS |
| Startup Time | Remote ON to Vout regulated | | 10 | 50 | mS |
| Dynamic Load Response | 50-75-50% load step, settling time to within ±1% of Vout | | 100 | 200 | µSec |
| Dynamic load di/dt | | | | 1 | A/µSec |
| Dynamic Load Peak Deviation | same as above | | ±250 | ±350 | mV |
| FEATURES and OPTIONS | | | | | |
| Remote On/Off Control ④ | | | | | |
| "N" suffix | | | | | |
| Negative Logic, ON state | ON = Ground pin or external voltage | -0.7 | | 0.7 | V |
| Negative Logic, OFF state | OFF = Pin open or external voltage | 10 | | 15 | V |
| Control Current | | | 1 | | mA |
| "P" suffix | | | | | |
| Positive Logic, ON state | ON = Pin open or external voltage | 10 | | 15 | V |
| Positive Logic, OFF state | OFF = Ground pin or external voltage | -0.7 | | 0.8 | V |
| Control Current | | | 1 | | mA |

FUNCTIONAL SPECIFICATIONS (CONT.) – MODEL UEI25-120-D48

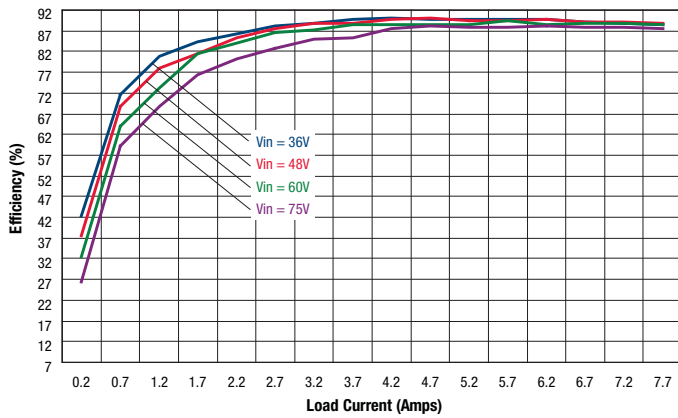
| OUTPUT | Conditions ① ③ | Minimum | Typical/Nominal | Maximum | Units |
|---|--|---------|------------------|-------------|---------------|
| Total Output Power | See Derating | 0.0 | 25.2 | 25.45 | W |
| Voltage | | | | | |
| Nominal Output Voltage | No trim | 11.88 | 12.00 | 12.12 | Vdc |
| Setting Accuracy | At 50% load | -1 | | +1 | % of Vset. |
| Output Voltage Range | User-adjustable | -10 | | +10 | % of Vnom. |
| Overvoltage Protection | Via magnetic feedback | 14 | 19 | 22 | Vdc |
| Current | | | | | |
| Output Current Range | | 0.0 | 2.1 | 2.1 | A |
| Minimum Load ③ | | | No minimum load | | |
| Current Limit Inception | 97% of Vnom., after warmup | 2.3 | 3 | 3.4 | A |
| Short Circuit | | | | | |
| Short Circuit Current | Hiccup technique, autorecovery within $\pm 1.25\%$ of Vout | | | 0.1 | A |
| Short Circuit Duration (remove short for recovery) | Output shorted to ground, no damage | | Continuous | | |
| Short circuit protection method | Current limiting | | | | |
| Regulation ⑤ | | | | | |
| Line Regulation | Vin=min. to max., Vout=nom., 50% load | | | ± 0.075 | % of Vout |
| Load Regulation | Iout=min. to max., Vin=48V | | | ± 0.05 | % of Vout |
| Ripple and Noise | 5 Hz- 20 MHz BW | | 95 | 120 | mV pk-pk |
| Temperature Coefficient | At all outputs | | 0.02 | | % of Vnom./°C |
| Maximum Capacitive Loading (10% ceramic, 90% Oscon) | Cap. ESR= $<0.02\Omega$, full resistive load | 0 | | 470 | μF |
| MECHANICAL (Through Hole Models) | | | | | |
| | Conditions ① | Minimum | Typical/Nominal | Maximum | Units |
| Outline Dimensions (no baseplate) | C75 case | | 0.96x1.1x0.32 | | Inches |
| (Please refer to outline drawing) | WxLxH | | 24.38x27.94x8.13 | | mm |
| Weight | | | 0.32 | | Ounces |
| | | | 9.07 | | Grams |
| Through Hole Pin Diameter | | | 0.04 | | Inches |
| | | | 1.016 | | mm |
| Through Hole Pin Material | | | Copper alloy | | |
| TH Pin Plating Metal and Thickness | Nickel subplate | | 50 | | μ -inches |
| | Gold overplate | | 5 | | μ -inches |
| ENVIRONMENTAL | | | | | |
| Operating Ambient Temperature Range | With derating, 200 LFM | -40 | | 85 | °C |
| Storage Temperature | Vin = Zero (no power) | -55 | | 125 | °C |
| Thermal Protection/Shutdown | Measured at hotspot | 130 | 135 | 150 | °C |
| Electromagnetic Interference | External filter is required | | | | |
| Conducted, EN55022/CISPR22 | | | B | | Class |
| Radiated, EN55022/CISPR22 | | | B | | Class |
| Relative humidity, non-condensing | To +85°C | 10 | | 90 | %RH |
| Altitude | must derate -1%/1000 feet | -500 | | 10,000 | feet |
| | | -152 | | 3048 | meters |
| RoHS rating | | | RoHS-6 | | |

Notes

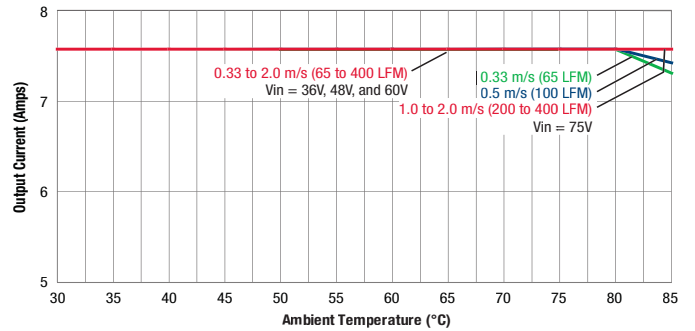
- ① Unless otherwise noted, all specifications are at nominal input voltage, nominal output voltage and full load. General conditions are +25° Celsius ambient temperature, near sea level altitude, natural convection airflow. All models are tested and specified with external parallel 1 μF and 10 μF multi-layer ceramic output capacitors. The external input capacitor is 4.7 μF ceramic. All capacitors are low-ESR types wired close to the converter. These capacitors are necessary for our test equipment and may not be needed in the user's application.
- ② Input (back) ripple current is tested and specified over 5 Hz to 20 MHz bandwidth. Input filtering is Cbus=220 μF , Cin=33 μF and Lbus=12 μH .
- ③ All models are stable and regulate to specification under no load.
- ④ The Remote On/Off Control is referred to -Vin.
- ⑤ Regulation specifications describe the output voltage changes as the line voltage or load current is varied from its nominal or midpoint value to either extreme.

UEI25-033-D48 PERFORMANCE DATA

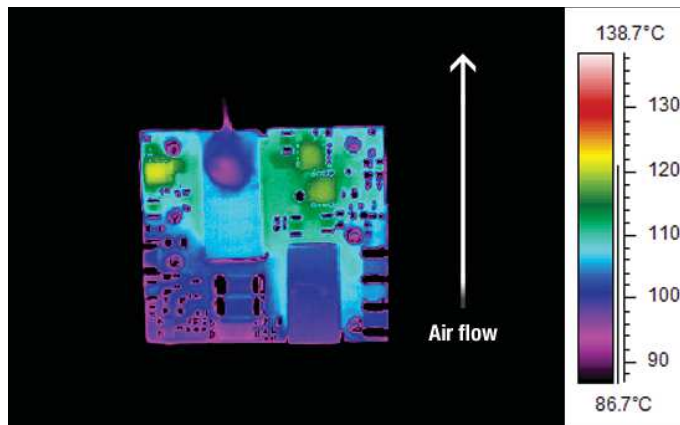
Efficiency vs. Line Voltage and Load Current @ 25°C



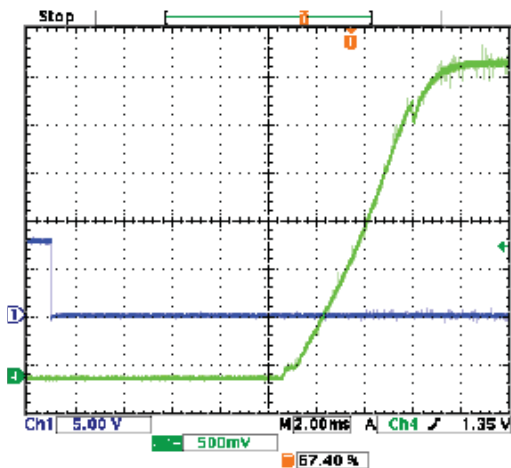
Maximum Current Temperature Derating @sea level
(airflow is from input to output)



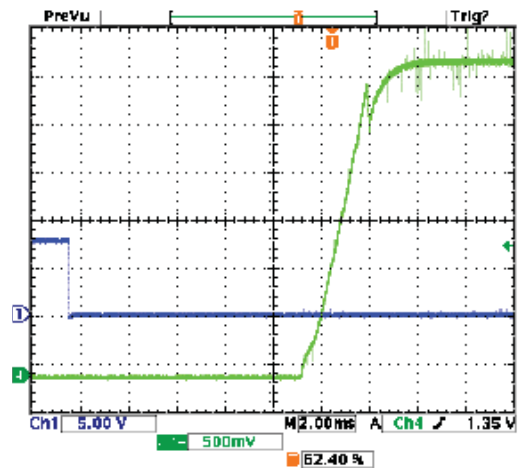
Thermal image with "hot spot" at full load current with 63°C ambient, air flowing at minimal rate of 65 LFM. Air is flowing across the converter from +Vo to -Vo at 48V input. Identifiable and recommended maximum value to be verified in application.



On/Off ENABLE DELAY (Vin=48, Vout=nom, Iout=7.5A, Cload=0uF, Ta=+25°C., ScopeBW=20Mhz) Trace 1= Enable. Trace 4=Vout

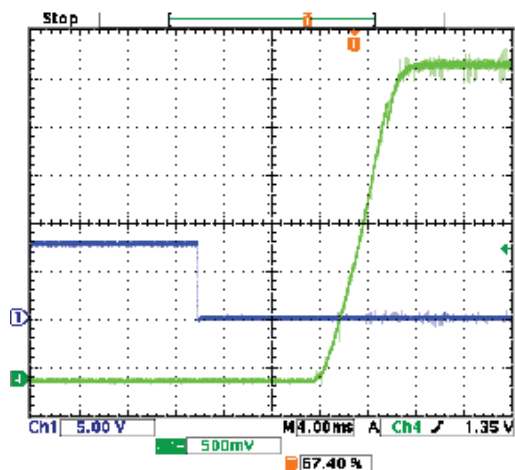


On/Off ENABLE DELAY (Vin=48, Vout=nom, Iout=.7575mA, Cload=0uF, Ta=+25°C., ScopeBW=20Mhz) Trace 1= Enable. Trace 4=Vout

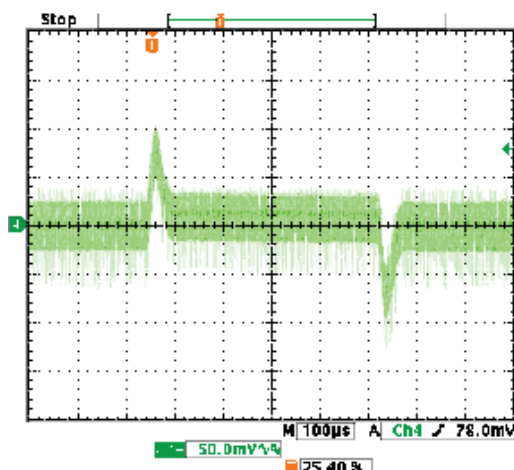


UEI25-033-D48 PERFORMANCE DATA, CONTINUED

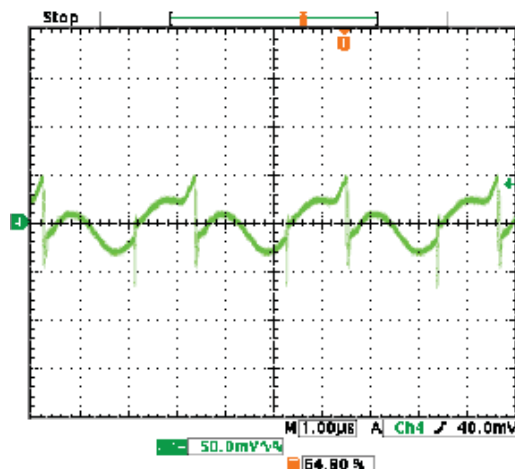
On/Off ENABLE DELAY (Vin=48, Vout=nom, Iout=7.5A, Cload=2000uF, Ta=+25°C., ScopeBW=20Mhz) Trace 1= Enable. Trace 4=Vout



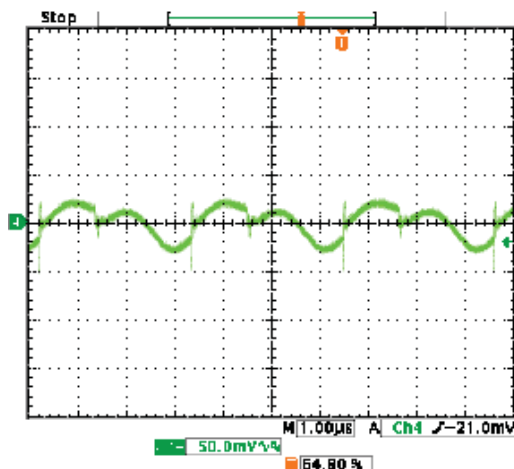
Step Load Transient Response (Vin=48V, Vout=nom., Iout=50-75-50% of full load, Cload=1 uFb ceramic II 10uF tantalum, Ta=+25°C., ScopeBW=20Mhz)



Output Ripple and Noise (Vin=48V, Vout=nom., Iout=7.5A, Cload= 1 uFb ceramic II 10uF tantalum, Ta=+25°C., ScopeBW=20Mhz)

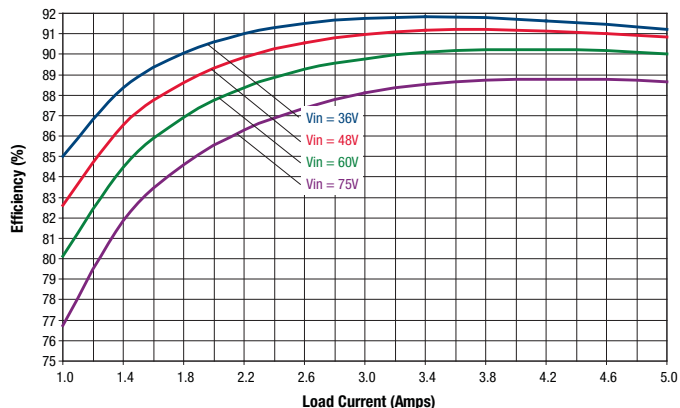


Output Ripple and Noise (Vin=48V, Vout=nom., Iout=.7575mA, Cload= 1 uFb ceramic II 10uF tantalum, Ta=+25°C., ScopeBW=20Mhz)

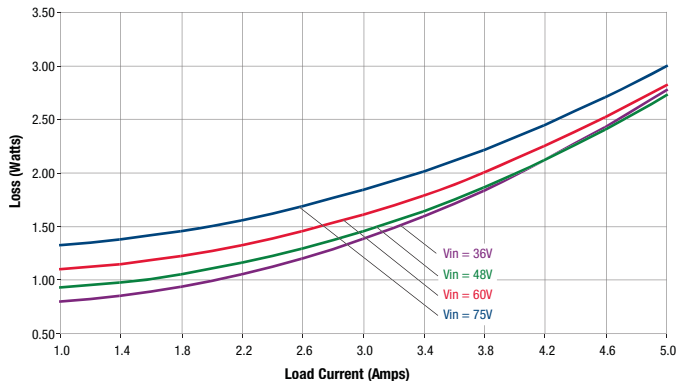


UEI25-050-D48 PERFORMANCE DATA

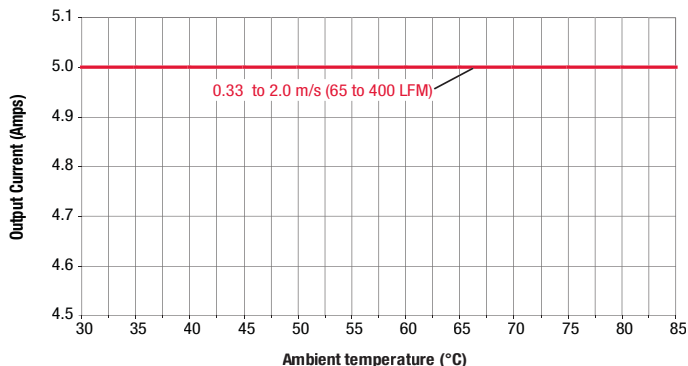
Efficiency vs. Line Voltage and Load Current @ 25°C



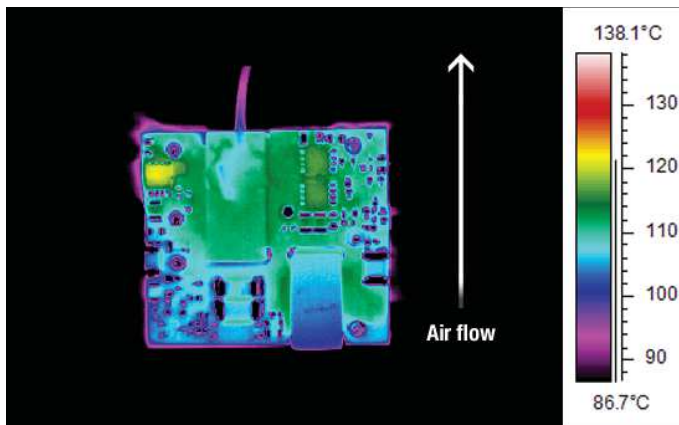
Power Dissipation vs. Load Current @ 25°C



Maximum Current Temperature Derating @sea level
(V_{in} = 36V, 48V, 60V, and 75V, airflow is from pin 1 to pin 3)

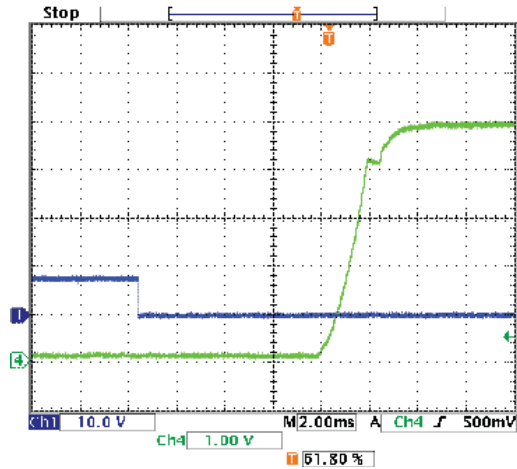


Thermal image with "hot spot" at full load current with 80°C ambient, air flowing at minimal rate of 65 LFM. Air is flowing across the converter from +Vo to -Vo at 48V input. Identifiable and recommended maximum value to be verified in application.

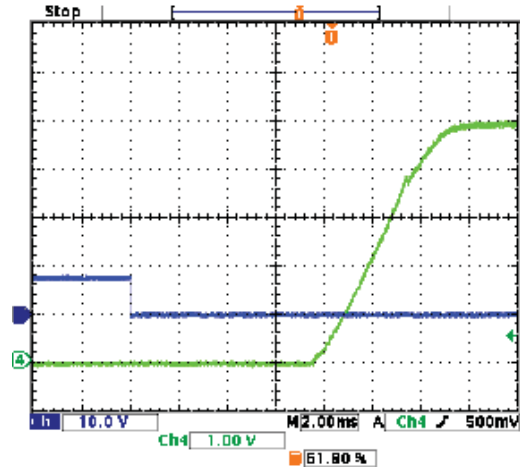


UEI25-050-D48 PERFORMANCE DATA, CONTINUED

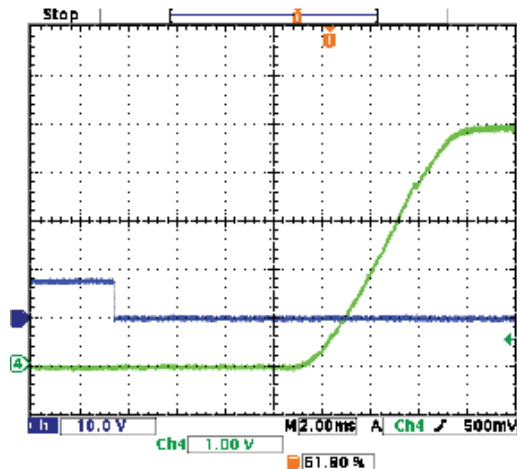
On/Off Enable Delay (Vin=48V, Vout=nom., Iout=no load, Cload=0 μ F, Ta=+25°C., ScopeBW=20MHz) Trace 1=Enable, Trace 4=Vout



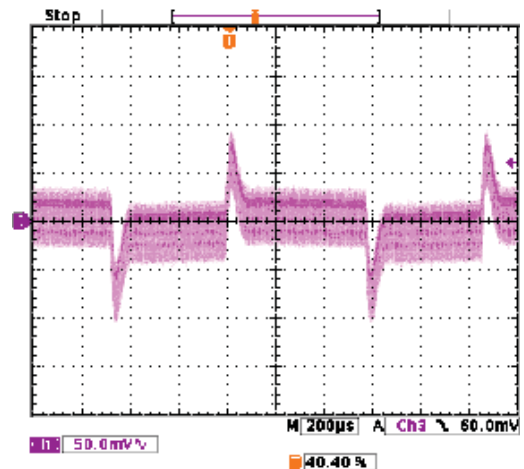
On/Off Enable Delay (Vin=48V, Vout=nom., Iout=5A, Cload=0 μ F, Ta=+25°C., ScopeBW=20MHz) Trace 1=Enable, Trace 4=Vout



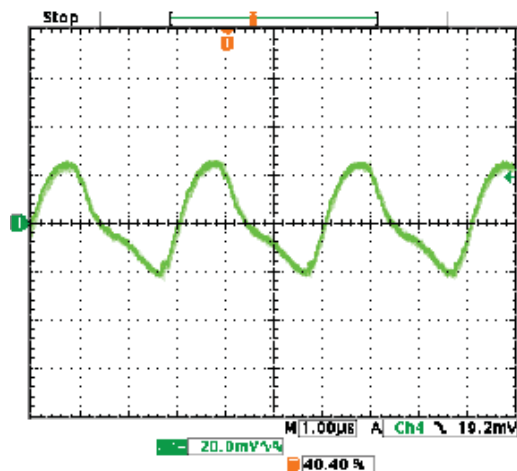
On/Off Enable Delay (Vin=48V, Vout=nom., Iout=5A, Cload=2000 μ F, Ta=+25°C., ScopeBW=20MHz) Trace 1=Enable, Trace 4=Vout



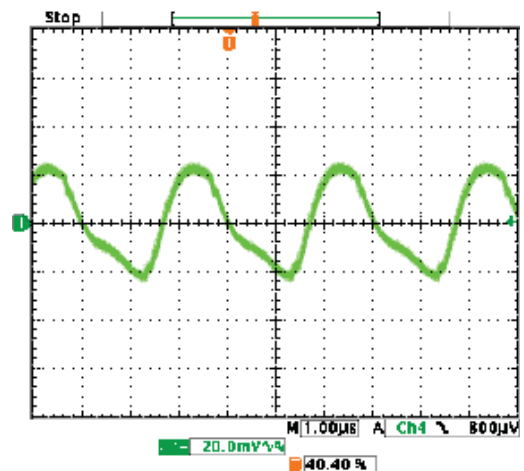
Step Load Transient Response (Vin=48V, Vout=nom., Iout=50-75-50% of full load, Cload=1 μ F ceramic II 10 μ F tantalum, Ta=+25°C., ScopeBW=20MHz)



Output Ripple and Noise (Vin=48V, Vout=nom., Iout=no load, Cload=1 μ F ceramic II 10 μ F tantalum, Ta=+25°C., ScopeBW=20MHz)

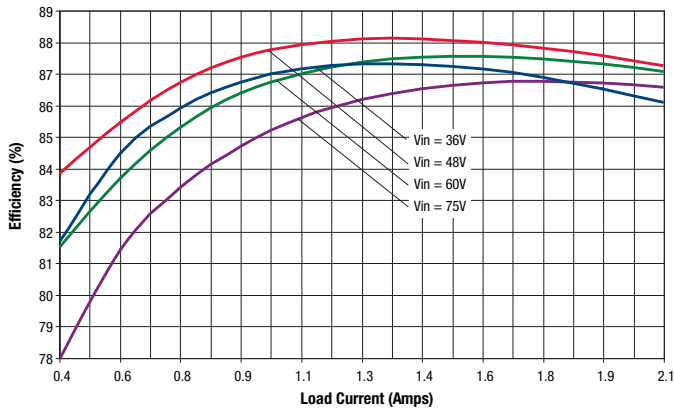


Output Ripple and Noise (Vin=48V, Vout=nom., Iout=5A, Cload=1 μ F ceramic II 10 μ F tantalum, Ta=+25°C., ScopeBW=20MHz)

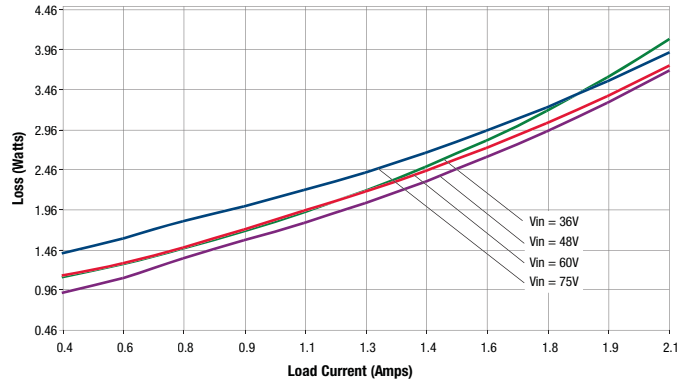


UEI25-120-D48 PERFORMANCE DATA

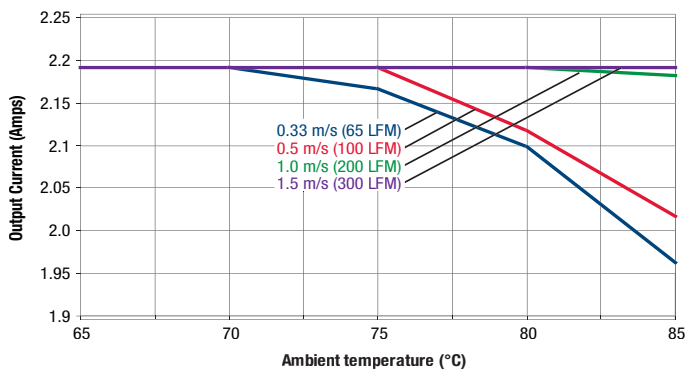
Efficiency vs. Line Voltage and Load Current @ 25°C



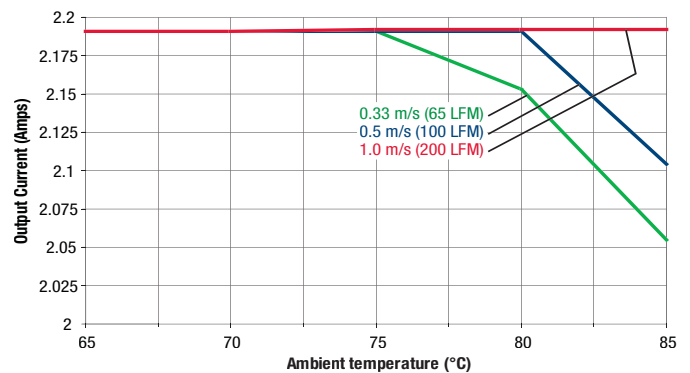
Power Dissipation vs. Load Current @ 25°C



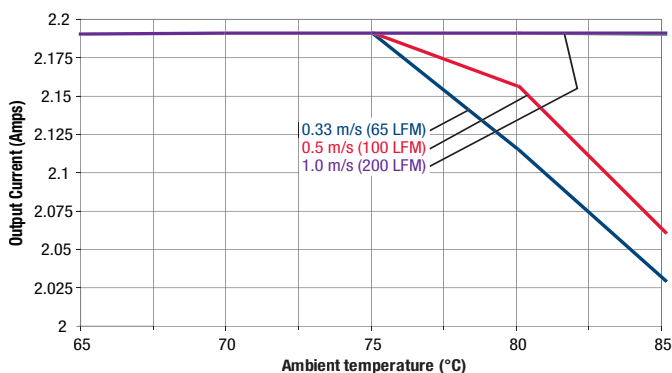
Maximum Current Temperature Derating @sea level
(V_{IN} = 36V, airflow is from pin 1 to pin 3)



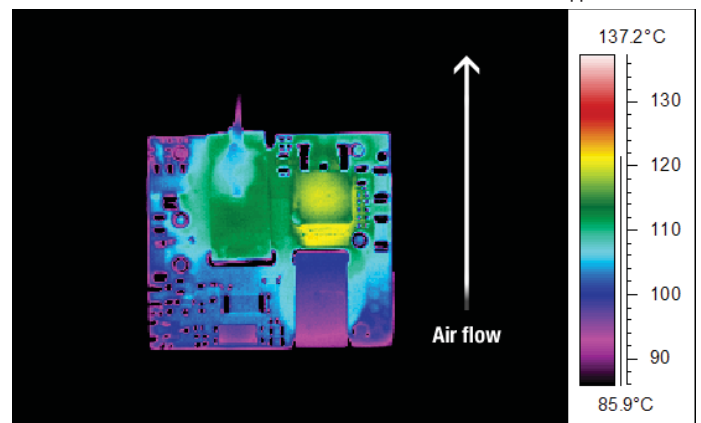
Maximum Current Temperature Derating @sea level
(V_{IN} = 48V, airflow is from pin 1 to pin 3)



Maximum Current Temperature Derating @sea level
(V_{IN} = 60V, airflow is from pin 1 to pin 3)

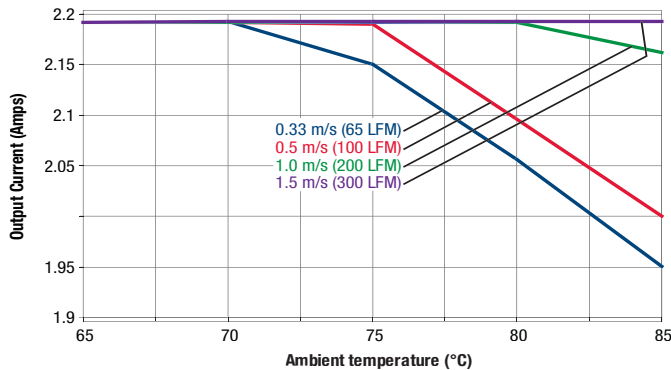


Thermal image with "hot spot" at full load current with 65°C ambient, air flowing at minimal rate of 65 LFM. Air is flowing across the converter from +V_o to -V_o at 48V input. Identifiable and recommended maximum value to be verified in application.

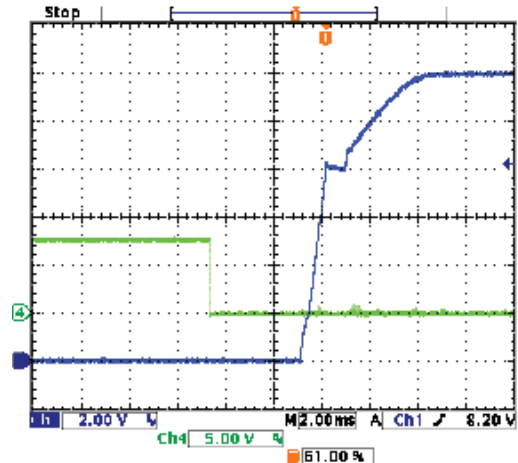


UEI25-120-D48 PERFORMANCE DATA, CONTINUED

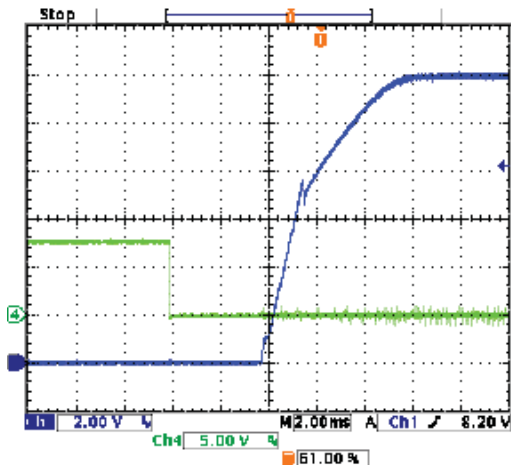
Maximum Current Temperature Derating @sea level
($V_{in} = 75V$, airflow is from pin 1 to pin 3)



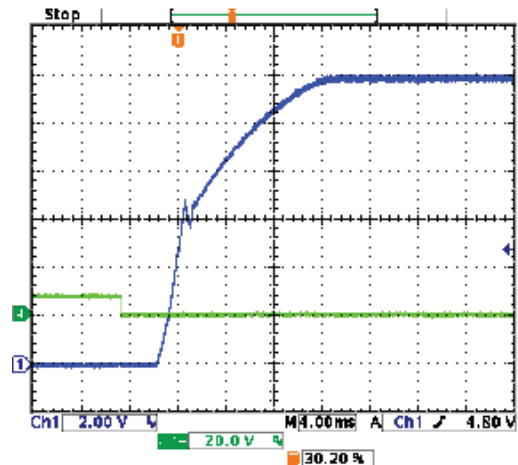
On/Off ENABLE DELAY ($V_{in}=48V$, $V_{out}=nom$, $I_{out}=0A$, $C_{load}=0\mu F$, $T_a=+25^\circ C$,
ScopeBW=20Mhz) Trace 1= Enable. Trace 4=Vout



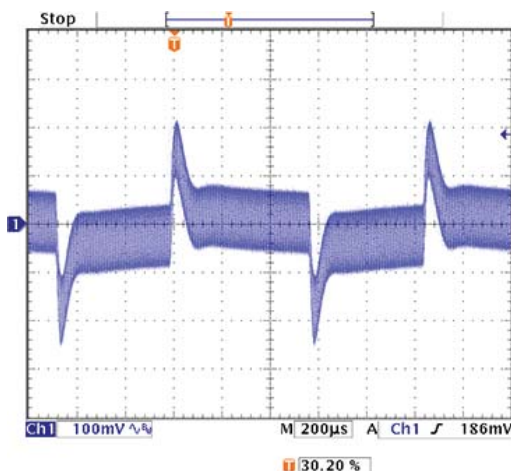
On/Off ENABLE DELAY ($V_{in}=48V$, $V_{out}=nom$, $I_{out}=2.1A$, $C_{load}=0\mu F$, $T_a=+25^\circ C$,
ScopeBW=20Mhz) Trace 1= Enable. Trace 4=Vout



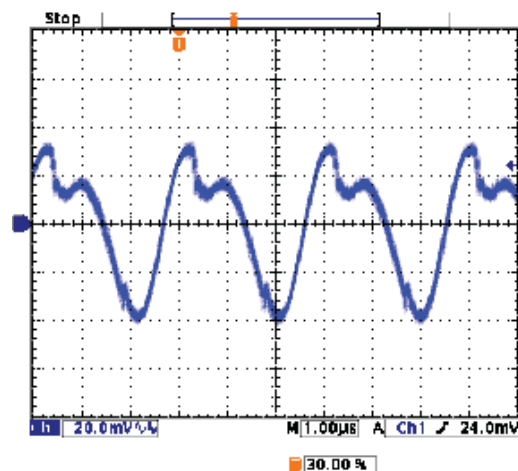
On/Off ENABLE DELAY ($V_{in}=48V$, $V_{out}=nom$, $I_{out}=2.1A$, $C_{load}=2000\mu F$, $T_a=+25^\circ C$,
ScopeBW=20Mhz) Trace 1= Enable. Trace 4=Vout



Stepload Transient Response ($V_{in} = 48V$, $I_{out} = 25-75-25\%$ of I_{max} , $C_{out} = 1\&10\mu F$,
 $T_a = +25^\circ C$, Scope BW = 20MHz)



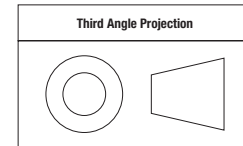
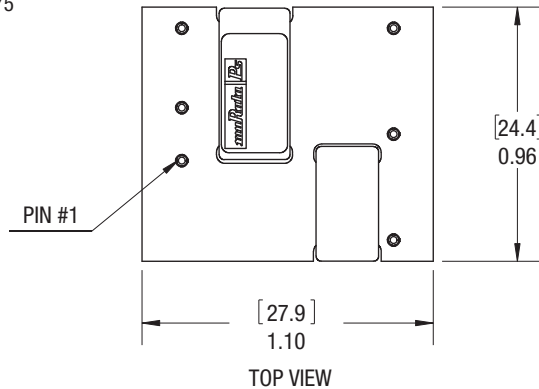
Output Ripple and Noise ($V_{in}=48V$, $I_{out} = 2.1A$, $C_{out} = 1\&10\mu F$, $T_a = +25^\circ C$,
Scope BW = 20MHz)



MECHANICAL SPECIFICATIONS, OPEN FRAME THROUGH-HOLE MOUNT

Dimensions are in inches (mm shown for ref. only).

Case 75



Tolerances (unless otherwise specified):
 .XX ± 0.02 (0.5)
 .XXX ± 0.010 (0.25)
 Angles ± 1°

Components are shown for reference only.

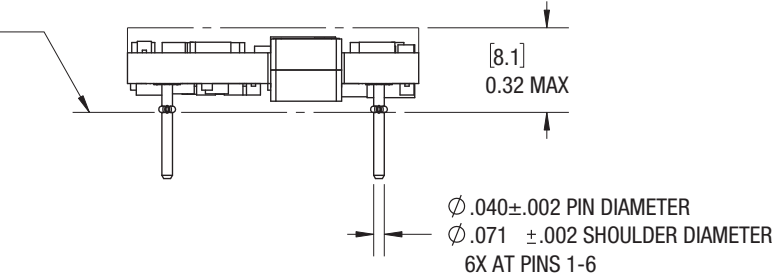
INPUT/OUTPUT CONNECTIONS

| Pin | Function P85 |
|-----|-----------------|
| 1 | +Vin |
| 2 | -Vin |
| 3 | +Vout |
| 4 | Output Trim |
| 5 | -Vout |
| 6 | On/Off Control* |

*The Remote On/Off can be provided with either positive (P suffix) or negative (N suffix) logic

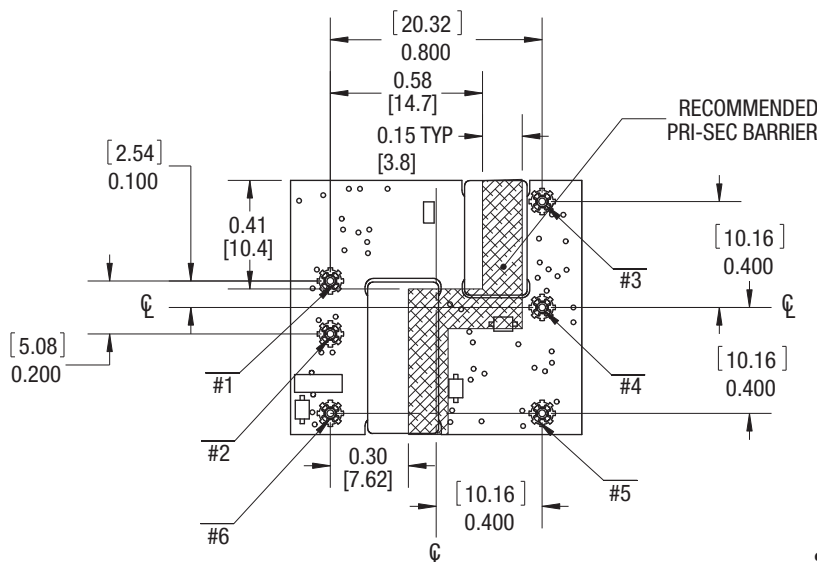
MOUNTING PLANE

SIDE VIEW

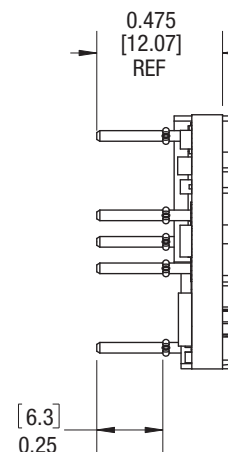


These converters are plug-compatible to competitive units. In case of pinout numbering inconsistency, follow the pin FUNCTION, not the pin number when laying out your PC board.

BOTTOM VIEW



END VIEW

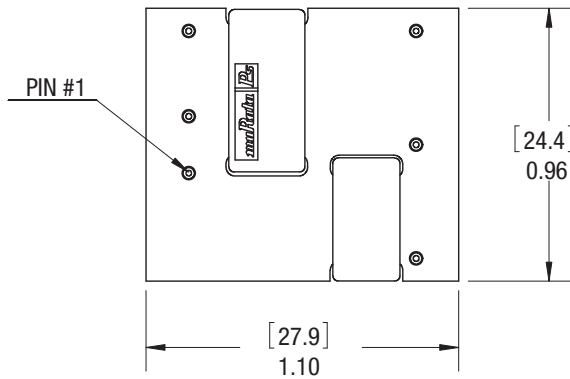


Standard pin length is shown. Please refer to the Ordering Guide for alternate pin lengths.

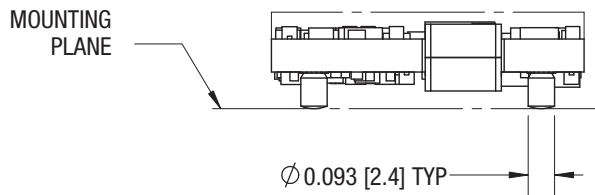
MECHANICAL SPECIFICATIONS, SURFACE MOUNT (MSL RATING 2)

Case 75

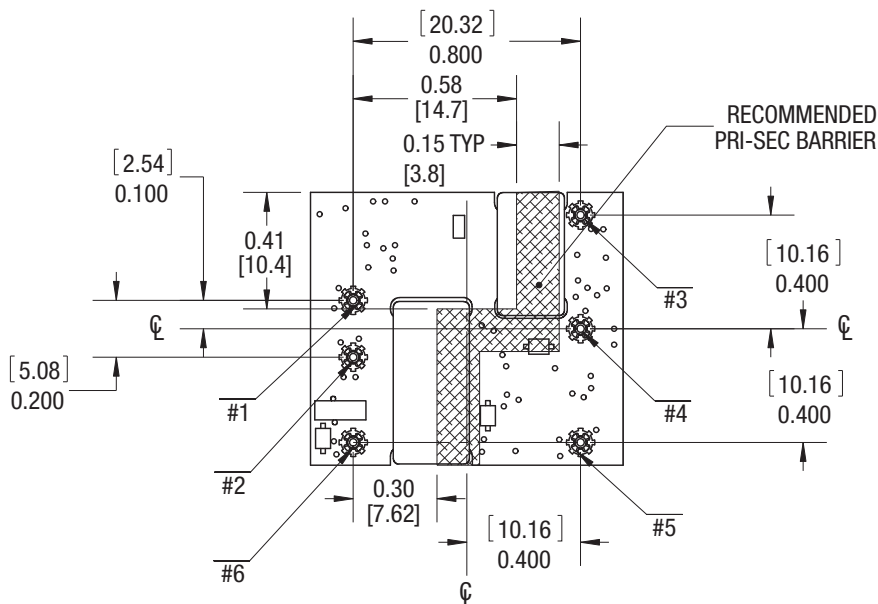
TOP VIEW



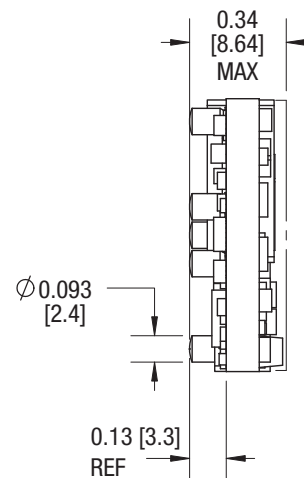
SIDE VIEW



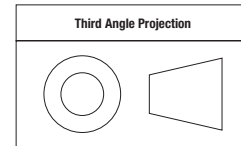
BOTTOM VIEW



END VIEW



Dimensions are in inches (mm shown for ref. only).



Tolerances (unless otherwise specified):
 .XX ± 0.02 (0.5)
 .XXX ± 0.010 (0.25)
 Angles ± 1°

Components are shown for reference only.

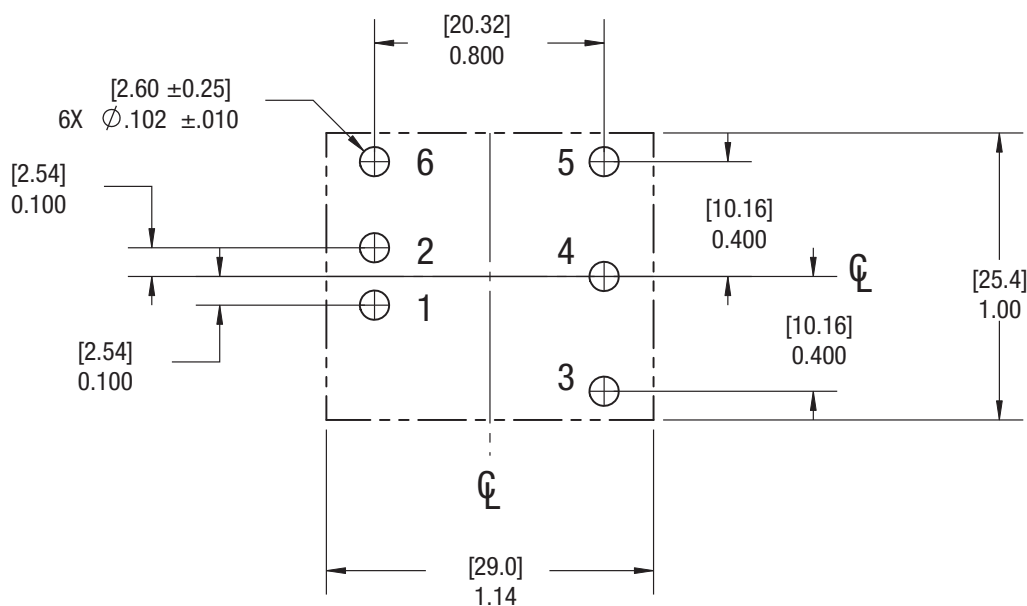
INPUT/OUTPUT CONNECTIONS

| Pin | Function P85 |
|-----|-----------------|
| 1 | +Vin |
| 2 | -Vin |
| 3 | +Vout |
| 4 | Output Trim |
| 5 | -Vout |
| 6 | On/Off Control* |

*The Remote On/Off can be provided with either positive (P suffix) or negative (N suffix) logic

These converters are plug-compatible to competitive units. In case of pinout numbering inconsistency, follow the pin FUNCTION, not the pin number when laying out your PC board.

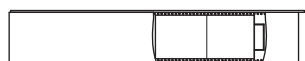
RECOMMENDED SMT PAD LAYOUT



| INPUT/OUTPUT CONNECTIONS | |
|--------------------------|-----------------|
| Pin | Function P85 |
| 1 | +Vin |
| 2 | -Vin |
| 3 | +Vout |
| 4 | Output Trim |
| 5 | -Vout |
| 6 | On/Off Control* |

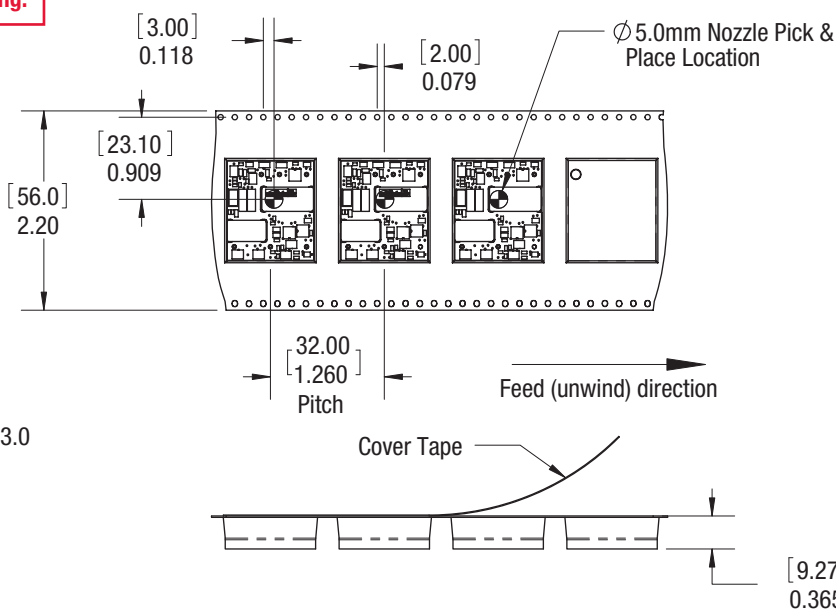
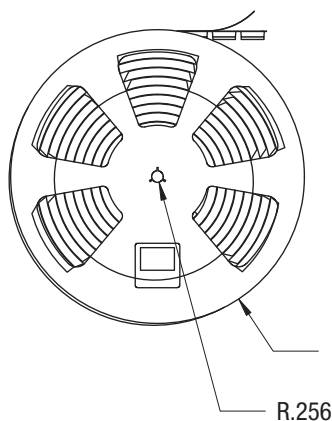
*The Remote On/Off can be provided with either positive (P suffix) or negative (N suffix) logic

SURFACE MOUNT TAPE AND REEL INFORMATION (MSL RATING 2)



PACKAGING CONFORMS TO EIA-481 CONVERTERS SHIPPING IN QUANTITIES OF 100 PER REEL

NOTE: The SMT package has an MSL 2 rating.



Dimensions in inches [mm]

TECHNICAL NOTES

Input Fusing

Certain applications and/or safety agencies may require fuses at the inputs of power conversion components. Fuses should also be used when there is the possibility of sustained input voltage reversal which is not current-limited. For greatest safety, we recommend a fast blow fuse installed in the ungrounded input supply line.

The installer must observe all relevant safety standards and regulations. For safety agency approvals, install the converter in compliance with the end-user safety standard.

Input Reverse-Polarity Protection

If the input voltage polarity is reversed, an internal diode will become forward biased and likely draw excessive current from the power source. If this source is not current-limited or the circuit appropriately fused, it could cause permanent damage to the converter.

Input Under-Voltage Shutdown and Start-Up Threshold

Under normal start-up conditions, converters will not begin to regulate properly until the rising input voltage exceeds and remains at the Start-Up Threshold Voltage (see Specifications). Once operating, converters will not turn off until the input voltage drops below the Under-Voltage Shutdown Limit. Subsequent restart will not occur until the input voltage rises again above the Start-Up Threshold. This built-in hysteresis prevents any unstable on/off operation at a single input voltage.

Users should be aware however of input sources near the Under-Voltage Shutdown whose voltage decays as input current is consumed (such as capacitor inputs), the converter shuts off and then restarts as the external capacitor recharges. Such situations could oscillate. To prevent this, make sure the operating input voltage is well above the UV Shutdown voltage AT ALL TIMES.

Start-Up Delay

Assuming that the output current is set at the rated maximum, the V_{in} to V_{out} Start-Up Delay (see Specifications) is the time interval between the point when the rising input voltage crosses the Start-Up Threshold and the fully loaded regulated output voltage enters and remains within its specified regulation band. Actual measured times will vary with input source impedance, external input capacitance, input voltage slew rate and final value of the input voltage as it appears at the converter.

These converters include a soft start circuit to moderate the duty cycle of the PWM controller at power up, thereby limiting the input inrush current.

The On/Off Remote Control interval from inception to V_{out} regulated assumes that the converter already has its input voltage stabilized above the Start-Up Threshold before the On command. The interval is measured from the On command until the output enters and remains within its specified regulation band. The specification assumes that the output is fully loaded at maximum rated current.

Input Source Impedance

These converters will operate to specifications without external components, assuming that the source voltage has very low impedance and reasonable input voltage regulation. Since real-world voltage sources have finite impedance, performance is improved by adding external filter components. Sometimes only a small ceramic capacitor is sufficient. Since it is difficult to totally characterize

all applications, some experimentation may be needed. Note that external input capacitors must accept high speed switching currents.

Because of the switching nature of DC/DC converters, the input of these converters must be driven from a source with both low AC impedance and adequate DC input regulation. Performance will degrade with increasing input inductance. Excessive input inductance may inhibit operation. The DC input regulation specifies that the input voltage, once operating, must never degrade below the Shut-Down Threshold under all load conditions. Be sure to use adequate trace sizes and mount components close to the converter.

I/O Filtering, Input Ripple Current and Output Noise

All models in this converter series are tested and specified for input reflected ripple current and output noise using designated external input/output components, circuits and layout as shown in the figures below. External input capacitors (C_{in} in the figure) serve primarily as energy storage elements, minimizing line voltage variations caused by transient IR drops in the input conductors. Users should select input capacitors for bulk capacitance (at appropriate frequencies), low ESR and high RMS ripple current ratings. In the figure below, the C_{BUS} and L_{BUS} components simulate a typical DC voltage bus. Your specific system configuration may require additional considerations. Please note that the values of C_{in} , L_{BUS} and C_{BUS} may vary according to the specific converter model.

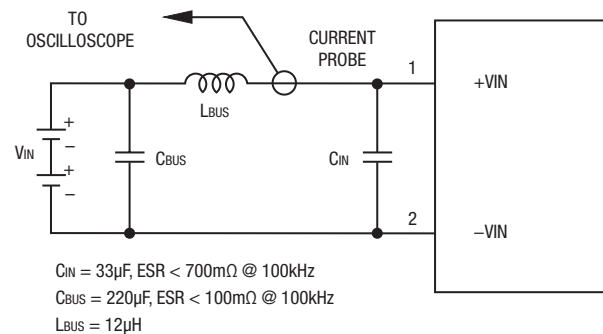


Figure 2. Measuring Input Ripple Current

In critical applications, output ripple and noise (also referred to as periodic and random deviations or PARD) may be reduced by adding filter elements such as multiple external capacitors. Be sure to calculate component temperature rise from reflected AC current dissipated inside capacitor ESR.

Floating Outputs

Since these are isolated DC/DC converters, their outputs are “floating” with respect to their input. The essential feature of such isolation is ideal ZERO CURRENT FLOW between input and output. Real-world converters however do exhibit tiny leakage currents between input and output (see Specifications). These leakages consist of both an AC stray capacitance coupling component and a DC leakage resistance. When using the isolation feature, do not allow the isolation voltage to exceed specifications. Otherwise the converter may be damaged. Designers will normally use the negative output (-Output) as the ground return of the load circuit. You can however use the positive output (+Output) as the ground return to effectively reverse the output polarity.

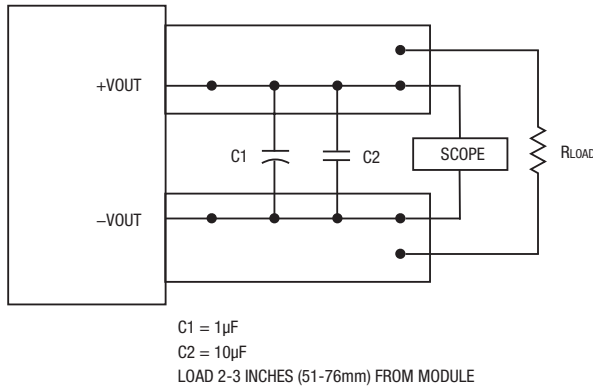


Figure 3. Measuring Output Ripple and Noise (PARD)

Minimum Output Loading Requirements

These converters employ a synchronous rectifier design topology. All models regulate within specification and are stable from 0% load to full load conditions, unless otherwise specified. Operation under no load will not damage the converter but might, however, slightly increase regulation, output ripple, and noise.

Thermal Shutdown

To protect against thermal over-stress, these converters include thermal shutdown circuitry. If environmental conditions cause the temperature of the DC/DC's to rise above the Operating Temperature Range up to the shutdown temperature, an on-board electronic temperature sensor will power down the unit. When the temperature decreases below the turn-on threshold, the converter will automatically restart. There is a small amount of hysteresis to prevent rapid on/off cycling. CAUTION: If you operate too close to the thermal limits, the converter may shut down suddenly without warning. Be sure to thoroughly test your application to avoid unplanned thermal shutdown.

Temperature Derating Curves

The graphs in the performance data section illustrate typical operation under a variety of conditions. The Derating curves show the maximum continuous ambient air temperature and decreasing maximum output current which is acceptable under increasing forced airflow measured in Linear Feet per Minute (“LFM”). Note that these are AVERAGE measurements. The converter will accept brief increases in temperature and/or current or reduced airflow as long as the average is not exceeded.

Note that the temperatures are of the ambient airflow, not the converter itself which is obviously running at higher temperature than the outside air. Also note that “natural convection” is defined as very low flow rates which are not using fan-forced airflow. Depending on the application, “natural convection” is usually about 30-65 LFM but is not equal to still air (0 LFM).

Murata Power Solutions makes Characterization measurements in a closed cycle wind tunnel with calibrated airflow. We use both thermocouples and an infrared camera system to observe thermal performance. As a practical matter, it is quite difficult to insert an anemometer to precisely measure airflow in most applications. Sometimes it is possible to estimate the effective airflow if you thoroughly understand the enclosure geometry, entry/exit orifice areas and the fan flowrate specifications.

CAUTION: If you exceed these Derating guidelines, the converter may have an unplanned Over Temperature shut down. Also, these graphs are all collected near Sea Level altitude. Be sure to reduce the derating for higher altitude.

Output Overvoltage Protection (OVP)

This converter monitors its output voltage for an over-voltage condition using an on-board electronic comparator. The signal is optically coupled to the primary side PWM controller. If the output exceeds OVP limits, the sensing circuit will power down the unit, and the output voltage will decrease. After a time-out period, the PWM will automatically attempt to restart, causing the output voltage to ramp up to its rated value. It is not necessary to power down and reset the converter for this automatic OVP-recovery restart.

If the fault condition persists and the output voltage climbs to excessive levels, the OVP circuitry will initiate another shutdown cycle. This on/off cycling is referred to as “hiccup” mode.

Output Fusing

The converter is extensively protected against current, voltage and temperature extremes. However, your application circuit may need additional protection. In the extremely unlikely event of output circuit failure, excessive voltage could be applied to your circuit. Consider using an appropriate external protection.

Output Current Limiting

As soon as the output current increases to approximately its overcurrent limit, the DC/DC converter will enter a current-limiting mode. The output voltage will decrease proportionally with increases in output current, thereby maintaining a somewhat constant power output. This is commonly referred to as power limiting.

Current limiting inception is defined as the point at which full power falls below the rated tolerance. See the Performance/Functional Specifications. Note particularly that the output current may briefly rise above its rated value. This enhances reliability and continued operation of your application. If the output current is too high, the converter will enter the short circuit condition.

Output Short Circuit Condition

When a converter is in current-limit mode, the output voltage will drop as the output current demand increases. If the output voltage drops too low, the magnetically coupled voltage used to develop PWM bias voltage will also drop, thereby shutting down the PWM controller. Following a time-out period, the PWM will restart, causing the output voltage to begin rising to its appropriate value. If the short-circuit condition persists, another shutdown cycle will initiate. This on/off cycling is called “hiccup mode.” The hiccup cycling reduces the average output current, thereby preventing excessive internal temperatures.

Trimming the Output Voltage

The Trim input to the converter allows the user to adjust the output voltage over the rated trim range (please refer to the Specifications). In the trim equations and circuit diagrams that follow, trim adjustments use a single fixed resistor connected between the Trim input and either Vout pin. Trimming resistors should have a low temperature coefficient (± 100 ppm/°C or less) and be mounted close to the converter. Keep leads short. If the trim function is not used, leave the trim unconnected. With no trim, the converter will exhibit its specified output voltage accuracy.

There are two CAUTIONs to observe for the Trim input:

CAUTION: To avoid unplanned power down cycles, do not exceed EITHER the maximum output voltage OR the maximum output power when setting the trim. If the output voltage is excessive, the OVP circuit may inadvertently shut down the converter. If the maximum power is exceeded, the converter may enter current limiting. If the power is exceeded for an extended period, the converter may overheat and encounter overtemperature shut down.

CAUTION: Be careful of external electrical noise. The Trim input is a sensitive input to the converter's feedback control loop. Excessive electrical noise may cause instability or oscillation. Keep external connections short to the Trim input. Use shielding if needed.

Trim Equations

| Trim Up | Trim Down |
|--|--|
| UEI25-033-D48 | |
| $R_{TUP}(\Omega) = \frac{12775}{V_o - 3.3} - 2050$ | $R_{TDOWN}(\Omega) = \frac{5110 \times (V_o - 2.5)}{3.3 - V_o} - 2050$ |
| UEI25-050-D48 | |
| $R_{TUP}(\Omega) = \frac{12775}{V_o - 5} - 2050$ | $R_{TDOWN}(\Omega) = \frac{5110 \times (V_o - 2.5)}{5 - V_o} - 2050$ |
| UEI25-120-D48 | |
| $R_{TUP}(\Omega) = \frac{25000}{V_o - 12} - 5110$ | $R_{TDOWN}(\Omega) = \frac{10000 (V_o - 2.5)}{12 - V_o} - 5110$ |

<Connect trim resistor between Trim and -Vout>

<Connect trim resistor between Trim and +Vout>

Where V_o = Desired output voltage. Adjustment accuracy is subject to resistor tolerances and factory-adjusted output accuracy. Mount trim resistor close to converter. Use short leads.

Remote On/Off Control

On the input side, a remote On/Off Control can be specified with either positive or negative logic as follows:

Positive: Models equipped with Positive Logic are enabled when the On/Off pin is left open or is pulled high to +15Vdc with respect to -VIN. An internal bias current causes the open pin to rise to +VIN. Positive-logic devices are disabled when the On/Off is grounded or brought to within a low voltage (see Specifications) with respect to -VIN.

Negative: Models with negative logic are on (enabled) when the On/Off is grounded or brought to within a low voltage (see Specifications) with respect to -VIN. The device is off (disabled) when the On/Off is left open or is pulled high to +15Vdc Max. with respect to -VIN.

Dynamic control of the On/Off function should be able to sink the specified signal current when brought low and withstand specified voltage when brought high. Be aware too that there is a finite time in milliseconds (see Specifications) between the time of On/Off Control activation and stable, regulated output. This time will vary slightly with output load type and current and input conditions.

There are two CAUTIONs for the On/Off Control:

CAUTION: While it is possible to control the On/Off with external logic if you carefully observe the voltage levels, the preferred circuit is either an open drain/open collector transistor or a relay (which can thereupon be controlled by logic). The On/Off prefers to be set at approx. +15V (open pin) for the ON state, assuming positive logic.

CAUTION: Do not apply voltages to the On/Off pin when there is no input power voltage. Otherwise the converter may be permanently damaged.

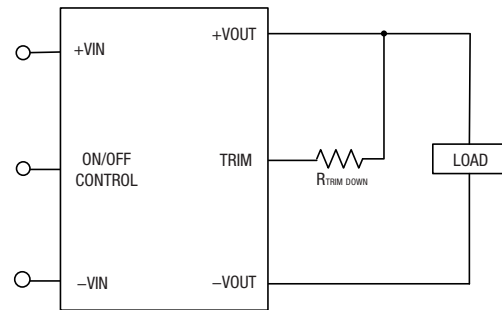


Figure 4. Trim adjustments to decrease Output Voltage using a Fixed Resistor

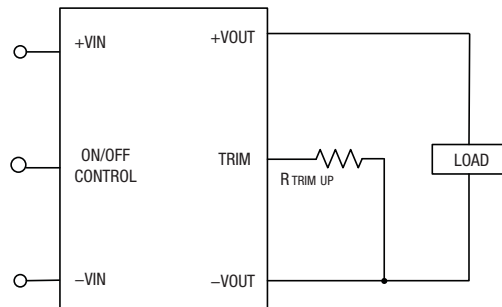


Figure 5. Trim adjustments to increase Output Voltage using a Fixed Resistor

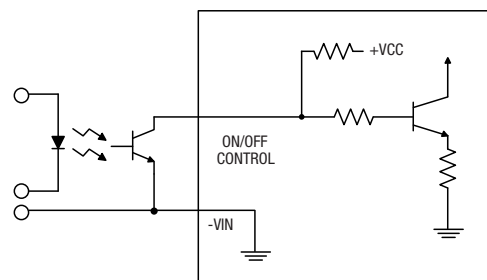


Figure 6. Driving the On/Off Control Pin (suggested circuit)

Emissions Performance

Murata Power Solutions measures its products for radio frequency emissions against the EN 55022 and CISPR 22 standards. Passive resistance loads are employed and the output is set to the maximum voltage. If you set up your own emissions testing, make sure the output load is rated at continuous power while doing the tests.

The recommended external input and output capacitors (if required) are included. Please refer to the fundamental switching frequency. All of this information is listed in the Product Specifications. An external discrete filter is installed and the circuit diagram is shown below.

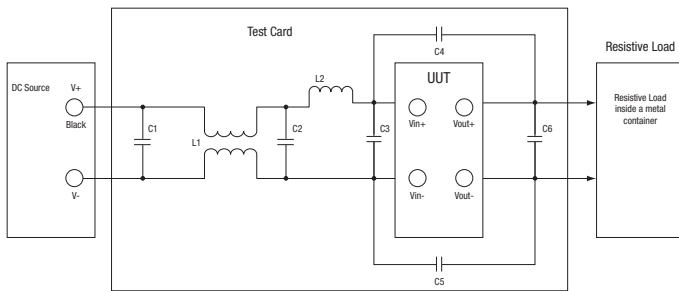


Figure 7. Conducted Emissions Test Circuit

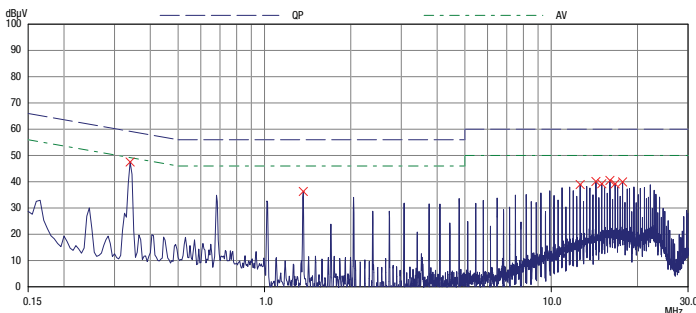
[1] Conducted Emissions Parts List

| Reference | Part Number | Description | Vendor |
|-----------|-------------|--|-----------|
| L1 | PE-62913 | 1mH, 6A | Pulse |
| L2 | NC | 4.7uH, 3.6A | Murata |
| C1, C2 | VZ Series | Electrolytic Capacitor 22ufd, 100V | Panasonic |
| C3 | VZ Series | Qty 2 - Electrolytic Capacitor 22ufd, 100V | Panasonic |
| C4, C5 | Unknown | 3.3nF, 1500V | Unknown |
| C6 | VZ Series | Electrolytic Capacitor 22ufd, 100V | Panasonic |

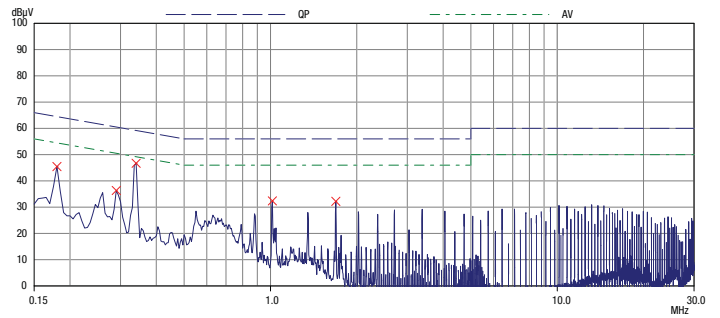
[2] Conducted Emissions Test Equipment Used

- Rohde & Schwarz EMI Test Receiver (9KHz – 1000MHz) ESPC
- Rohde & Schwarz Software ESPC-1 Ver. 2.20
- OHMITE 25W – 1 Ohm resistor combinations
- DC Source Programmable DC Power Supply Model 62012P-100-50

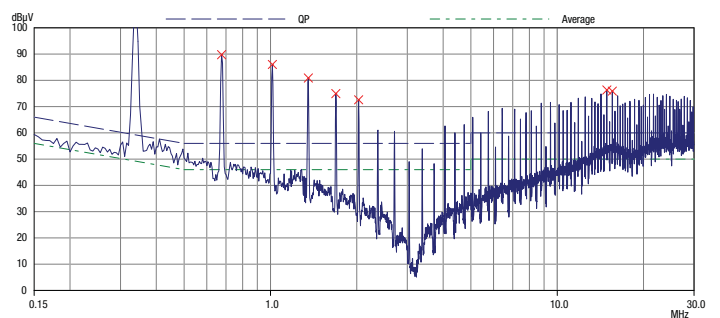
[3] Conducted Emissions Test Results



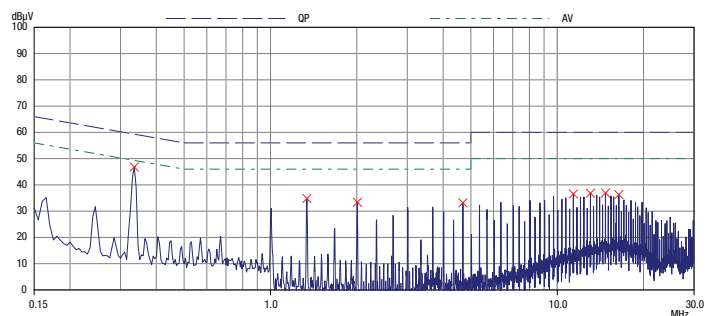
Graph 1. Conducted emissions performance with filter, Negative Line, CISPR 22, Class B, full load, for UEI25-033-D48PM-C



Graph 2. Conducted emissions performance with filter, Negative Line, CISPR 22, Class B, full load, for UEI25-050-D48NM-C



Graph 3. Conducted emissions performance without filter, Negative Line, CISPR 22, Class B, full load, for UEI25-050-D48NM-C



Graph 4. Conducted emissions performance with filter, Negative Line, CISPR 22, Class B, full load, for UEI25-120-D48P-C

[4] Layout Recommendations

Most applications can use the filtering which is already installed inside the converter or with the addition of the recommended external capacitors. For greater emissions suppression, consider additional filter components and/or shielding. Emissions performance will depend on the user's PC board layout, the chassis shielding environment and choice of external components.

Since many factors affect both the amplitude and spectra of emissions, we recommend using an engineer who is experienced at emissions suppression.

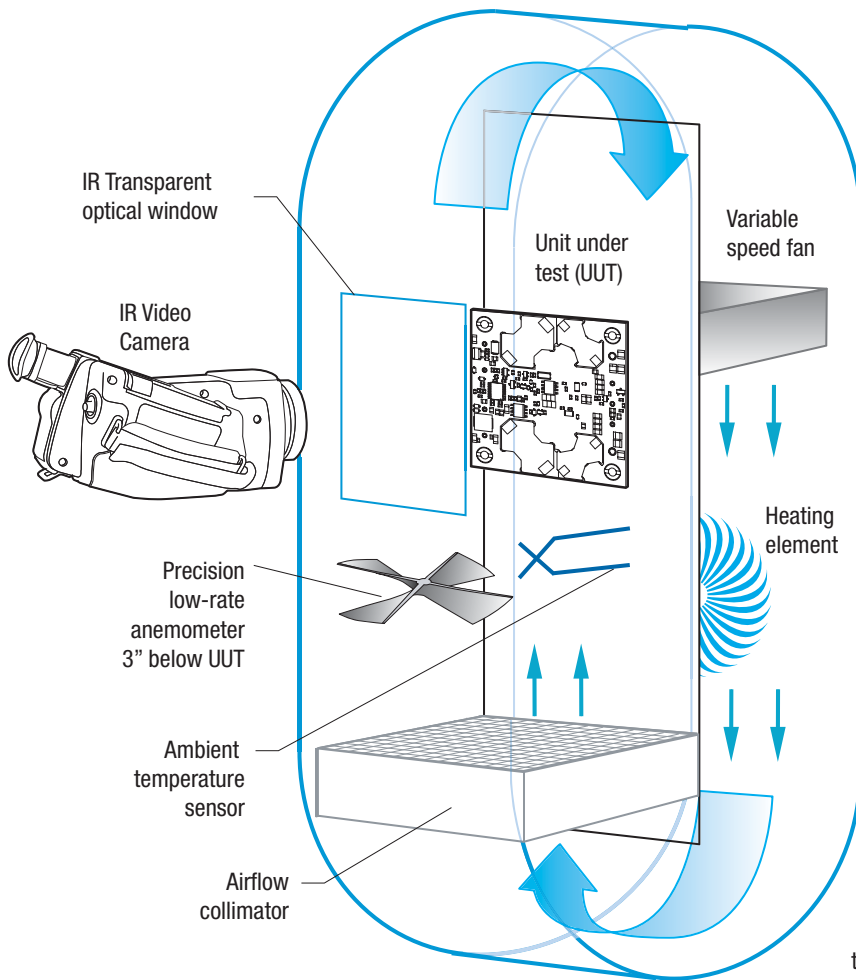


Figure 8. Vertical Wind Tunnel

Vertical Wind Tunnel

Murata Power Solutions employs a computer controlled custom-designed closed loop vertical wind tunnel, infrared video camera system, and test instrumentation for accurate airflow and heat dissipation analysis of power products. The system includes a precision low flow-rate anemometer, variable speed fan, power supply input and load controls, temperature gauges, and adjustable heating element.

The IR camera monitors the thermal performance of the Unit Under Test (UUT) under static steady-state conditions. A special optical port is used which is transparent to infrared wavelengths.

Both through-hole and surface mount converters are soldered down to a host carrier board for realistic heat absorption and spreading. Both longitudinal and transverse airflow studies are possible by rotation of this carrier board since there are often significant differences in the heat dissipation in the two airflow directions. The combination of adjustable airflow, adjustable ambient heat, and adjustable Input/Output currents and voltages mean that a very wide range of measurement conditions can be studied.

The collimator reduces the amount of turbulence adjacent to the UUT by minimizing airflow turbulence. Such turbulence influences the effective heat transfer characteristics and gives false readings. Excess turbulence removes more heat from some surfaces and less heat from others, possibly causing uneven overheating.

Both sides of the UUT are studied since there are different thermal gradients on each side. The adjustable heating element and fan, built-in temperature gauges, and no-contact IR camera mean that power supplies are tested in real-world conditions.

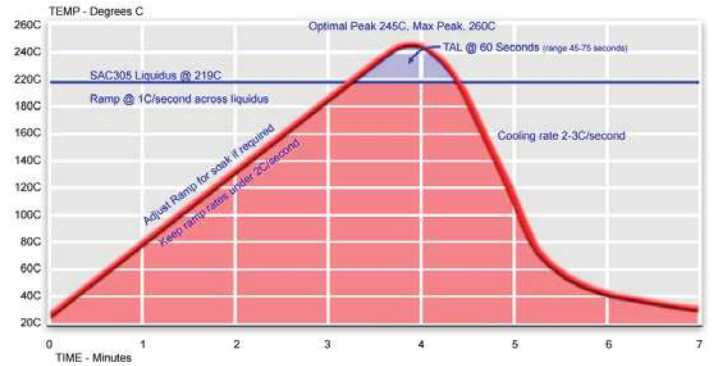
Through-hole Soldering Guidelines

Murata Power Solutions recommends the TH soldering specifications below when installing these converters. These specifications vary depending on the solder type. Exceeding these specifications may cause damage to the product. Your production environment may differ; therefore please thoroughly review these guidelines with your process engineers.

| Wave Solder Operations for through-hole mounted products (THMT) | |
|---|-----------|
| For Sn/Ag/Cu based solders: | |
| Maximum Preheat Temperature | 115° C. |
| Maximum Pot Temperature | 270° C. |
| Maximum Solder Dwell Time | 7 seconds |
| For Sn/Pb based solders: | |
| Maximum Preheat Temperature | 105° C. |
| Maximum Pot Temperature | 250° C. |
| Maximum Solder Dwell Time | 6 seconds |

SMT Reflow Soldering Guidelines

The surface-mount reflow solder profile shown below is suitable for SAC305 type lead-free solders. This graph should be used only as a **guideline**. Many other factors influence the success of SMT reflow soldering. Since your production environment may differ, please thoroughly review these guidelines with your process engineers.



Murata Power Solutions, Inc.
 11 Cabot Boulevard, Mansfield, MA 02048-1151 U.S.A.
 ISO 9001 and 14001 REGISTERED



This product is subject to the following **operating requirements** and the **Life and Safety Critical Application Sales Policy**:
 Refer to: <http://www.murata-ps.com/requirements/>

Murata Power Solutions, Inc. makes no representation that the use of its products in the circuits described herein, or the use of other technical information contained herein, will not infringe upon existing or future patent rights. The descriptions contained herein do not imply the granting of licenses to make, use, or sell equipment constructed in accordance therewith. Specifications are subject to change without notice. © 2013 Murata Power Solutions, Inc.