



Chipsmall Limited consists of a professional team with an average of over 10 year of expertise in the distribution of electronic components. Based in Hongkong, we have already established firm and mutual-benefit business relationships with customers from,Europe,America and south Asia,supplying obsolete and hard-to-find components to meet their specific needs.

With the principle of "Quality Parts,Customers Priority,Honest Operation,and Considerate Service",our business mainly focus on the distribution of electronic components. Line cards we deal with include Microchip,ALPS,ROHM,Xilinx,Pulse,ON,Everlight and Freescale. Main products comprise IC,Modules,Potentiometer,IC Socket,Relay,Connector.Our parts cover such applications as commercial,industrial, and automotives areas.

We are looking forward to setting up business relationship with you and hope to provide you with the best service and solution. Let us make a better world for our industry!



Contact us

Tel: +86-755-8981 8866 Fax: +86-755-8427 6832

Email & Skype: info@chipsmall.com Web: www.chipsmall.com

Address: A1208, Overseas Decoration Building, #122 Zhenhua RD., Futian, Shenzhen, China

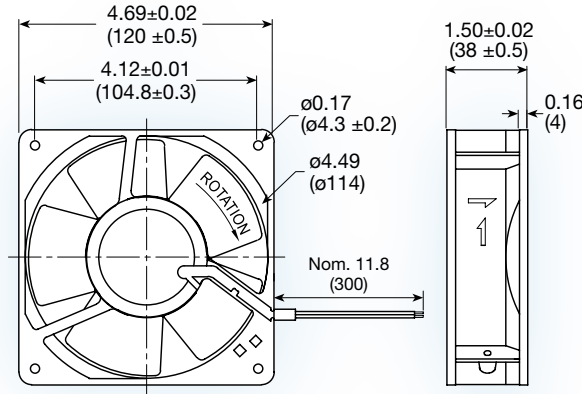


UF12AM series

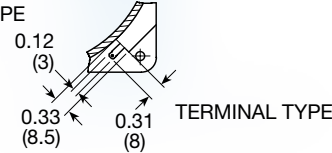


(120 x 120 x 38 mm)

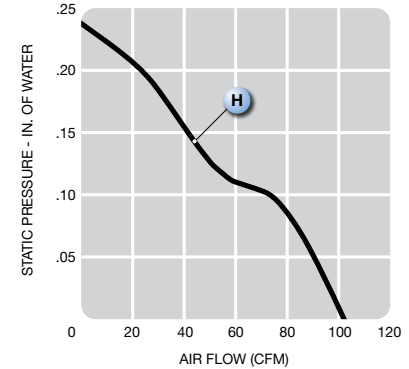
4.69 x 4.69 x 1.5 inches



LEAD WIRE TYPE



TERMINAL TYPE



Features: high temp -40°C ~ 90°C operating temperature range

Operating voltage: 115 or 230 VAC

Construction: aluminum die cast frame; metal impeller

Bearing option: ball bearing with high temp lubricant

Motor: shaded pole - Class F insulation

Air Flow: exhaust over struts

Connection: terminal or 22 AWG lead wire

Protection: impedance

Option: tachometer output

Model No.	Rated Voltage V	Freq. HZ	Input Power W	Rated Cur. A	Locked Cur. A	Speed RPM	Air Volume		Max. Static Pressure (H ₂ O)		Sound Noise dBa	Weight kg
							M ³ /Min.	CFM	MM	INCH		
UF12AM12-__H	115	60	13	0.15	0.22	3,100	2.9	103	6.0	0.24	46	0.55
UF12AM23-__H	230	60	15	0.09	0.12	3,100	2.9	103	6.0	0.24	46	0.55

