



Chipsmall Limited consists of a professional team with an average of over 10 year of expertise in the distribution of electronic components. Based in Hongkong, we have already established firm and mutual-benefit business relationships with customers from,Europe,America and south Asia,supplying obsolete and hard-to-find components to meet their specific needs.

With the principle of “Quality Parts,Customers Priority,Honest Operation,and Considerate Service”,our business mainly focus on the distribution of electronic components. Line cards we deal with include Microchip,ALPS,ROHM,Xilinx,Pulse,ON,Everlight and Freescale. Main products comprise IC,Modules,Potentiometer,IC Socket,Relay,Connector.Our parts cover such applications as commercial,industrial, and automotives areas.

We are looking forward to setting up business relationship with you and hope to provide you with the best service and solution. Let us make a better world for our industry!



## Contact us

Tel: +86-755-8981 8866 Fax: +86-755-8427 6832

Email & Skype: info@chipsmall.com Web: www.chipsmall.com

Address: A1208, Overseas Decoration Building, #122 Zhenhua RD., Futian, Shenzhen, China





*Cooling Simplified*

AC / DC FANS & BLOWERS



## AC and DC Fans & Blowers



**M**echatronics Fan Group has been delivering thermal management solutions to a wide range of applications for over 30 years. Our extensive North American inventory, value-add assembly, technical sales, and design support teams will accelerate your time to market. Mechatronics is a thermal management leader supplying a broad range of standard and custom AC Fans, DC Fans, Blowers, Impellers and accessories. Mechatronics provides the right solution on time with quality product to help our customers meet their goals.

TOC

## Value Add *(see page 60)*



**Cooling Simplified**

[www.mechatronics.com](http://www.mechatronics.com)

*Experience | Flexibility | Quality | Timely*



**DC AXIAL FANS**

**DC AXIAL PART NUMBERING SYSTEM** ..... 2

**MA2506** (25 x 25 x 6.1 mm) 0.98 x 0.98 x 0.24 in. .... 3

**MA3010** (30 x 30 x 10 mm) 1.18 x 1.18 x 0.39 in. .... 3

**MA3828** (38 x 38 x 28 mm) 1.50 x 1.50 x 1.10 in. .... 4

**G4010** (40 x 40 x 10.3 mm) 1.57 x 1.57 x 0.41 in. .... 4

**G4015** (40 x 40 x 15 mm) 1.57 x 1.57 x 0.59 in. .... 5

**G4020** (40 x 40 x 20 mm) 1.57 x 1.57 x 0.79 in. .... 5

**MD4028** (40 x 40 x 28 mm) 1.57 x 1.57 x 1.10 in. .... 6

**M5010** (50 x 50 x 10 mm) 1.97 x 1.97 x 0.39 in. .... 6

**G5015** (50 x 50 x 15 mm) 1.97 x 1.97 x 0.59 in. .... 7

**M5210** (52 x 52 x 10 mm) 2.04 x 2.04 x 0.39 in. .... 7

**MB6010** (60 x 60 x 10 mm) 2.36 x 2.36 x 0.39 in. .... 8

**G6015-G** (60 x 60 x 15 mm) 2.36 x 2.36 x 0.60 in. .... 8

**MD6020** (60 x 60 x 20 mm) 2.36 x 2.36 x 0.79 in. .... 9

**F6025-H** (60 x 60 x 25 mm) 2.36 x 2.36 x 0.98 in. .... 9

**ME6038** (60 x 60 x 38 mm) 2.36 x 2.36 x 1.50 in. .... 10

**MQ6038** (60 x 60 x 38 mm) 2.36 x 2.36 x 1.50 in. .... 10

**G8015-G** (80 x 80 x 15 mm) 3.15 x 3.15 x 0.59 in. .... 11

**G8020** (80 x 80 x 20 mm) 3.15 x 3.15 x 0.79 in. .... 11

**F8025-H** (80 x 80 x 25 mm) 3.15 x 3.15 x 0.98 in. .... 12

**G8032** (80 x 80 x 32 mm) 3.15 x 3.15 x 1.26 in. .... 12

**MC8038** (80 x 80 x 38 mm) 3.15 x 3.15 x 1.50 in. .... 13

**MQ8038** (80 x 80 x 38 mm) 3.15 x 3.15 x 1.50 in. .... 13

**E9225** (92 x 92 x 25 mm) 3.62 x 3.62 x 0.98 in. .... 14

**G9225-G** (92 x 92 x 25 mm) 3.62 x 3.62 x 0.98 in. .... 14

**G9232** (92 x 92 x 32 mm) 3.62 x 3.62 x 1.24 in. .... 15

**MD9238** (92 x 92 x 38 mm) 3.62 x 3.62 x 1.50 in. .... 15

**E1225** (120 x 120 x 25 mm) 4.72 x 4.72 x 0.98 in. .... 16

**G1225** (120 x 120 x 25 mm) 4.72 x 4.72 x 0.98 in. .... 16

**G1238** (120 x 120 x 38 mm) 4.69 x 4.69 x 1.50 in. .... 17

**MD1238** (120 x 120 x 38 mm) 4.72 x 4.72 x 1.50 in. .... 17

**MQ1238** (120 x 120 x 38 mm) 4.72 x 4.72 x 1.50 in. .... 18

**G1338** (127 x 127 x 38 mm) 5.0 x 5.0 x 1.50 in. .... 18

**MA1751** (172 x 150 x 50.8 mm) 6.77 x 5.91 x 2.0 in. .... 19

**MM1865** (180 x 180 x 65 mm) 7.09 x 7.09 x 2.56 in. .... 19

**MM2072** (208 x 208 x 72 mm) 8.19 x 8.19 x 2.83 in. .... 20

**MM2260** (222 dia. x 60 mm) 8.74 dia. x 1.50 in. .... 20

**MM2280** (222 dia. x 80 mm) 8.74 dia. x 3.15 in. .... 21

**MM2589** (255 dia. x 89 mm) 10.04 dia. x 3.50 in. .... 21

**MM22580H** (225 x 225 x 80 mm) 8.86 x 8.86 x 3.15 in. .... 22

**MM28080H** (280 x 280 x 80 mm) 11.02 x 11.02 x 3.15 in. .... 22

**DC BLOWERS**

**B5015** (51 x 51 x 15 mm) 2.01 x 2.01 x .62 in. .... 23

**B6025** (60 x 60 x 25 mm) 2.36 x 2.36 x 0.98 in. .... 23

**B7530** (76 x 76 x 30 mm) 2.98 x 2.98 x 1.18 in. .... 24

**MXB9733** (97 x 94.4 x 33 mm) 3.82 x 3.72 x 1.30 in. .... 24

**B1232** (120 x 120 x 32 mm) 4.70 x 4.70 x 1.24 in. .... 25

**B1232-SR** (125 x 125 x 33.5 mm) 4.92 x 4.92 x 1.32 in. .... 25

**DC ENGINEERING** ..... 26

**AC AXIAL FANS**

**AC AXIAL PART NUMBERING SYSTEM** ..... 27

**UF60D** (60 x 60 x 30 mm) 2.36 x 2.36 x 1.18 in. .... 28

**UF80B** (80 x 80 x 25 mm) 3.15 x 3.15 x 0.98 in. .... 28

**UF80A** (80 x 80 x 38 mm) 3.15 x 3.15 x 1.50 in. .... 29

**UF92B** (92 x 92 x 25 mm) 3.62 x 3.62 x 0.98 in. .... 29

**UF92A** (92 x 92 x 38 mm) 3.62 x 3.62 x 1.50 in. .... 30

**UF92AM** (92 x 92 x 38 mm) 3.62 x 3.62 x 1.50 in. .... 30

**UF12B** (120 x 120 x 25 mm) 4.69 x 4.69 x 0.98 in. .... 31

**UF12A** (120 x 120 x 38 mm) 4.69 x 4.69 x 1.50 in. .... 31

**UF12AR** (120 x 120 x 38 mm) 4.69 x 4.69 x 1.50 in. .... 32

**UF12AM** (120 x 120 x 38 mm) 4.69 x 4.69 x 1.50 in. .... 32

**UF13A** (127 x 127 x 38 mm) 5.0 x 5.0 x 1.50 in. .... 33

**UF15AC** (172 x 150 x 38 mm) 6.77 x 5.91 x 1.50 in. .... 33

**UF15PC** (172 x 150 x 51 mm) 6.77 x 5.91 x 2.0 in. .... 34

**UF15KC** (172 x 150 x 55 mm) 6.77 x 5.91 x 2.17 in. .... 34

**UF15KM** (172 x 150 x 55 mm) 6.77 x 5.91 x 2.17 in. .... 35

**UF15KMR** (172 x 150 x 55 mm) 6.77 x 5.91 x 2.17 in. .... 35

**UF17PC** (172 dia. x 51 mm) 6.77 dia. x 2.0 in. .... 36

**UF16FC** (160 x 160 x 62 mm) 6.30 x 6.30 x 2.44 in. .... 36

**UF18JC** (180 x 180 x 90 mm) 7.09 x 7.09 x 3.54 in. .... 37

**UF20JC** (205 x 205 x 90 mm) 8.07 x 8.07 x 3.54 in. .... 37

**UF25GC** (254 dia. x 89 mm) 10.0 dia. x 3.50 in. .... 38

**UF25HC** (254 dia. x 107 mm) 10.0 dia. x 4.21 in. .... 38

**UF200BMB-H2** (225 x 225 x 80 mm) 8.86 x 8.86 x 3.15 in. .... 39

**UF250BMB-H1** (280 x 280 x 80 mm) 11.0 x 11.0 x 3.15 in. .... 40

**UF300BNA** (398 dia. x 98.3 mm) 15.67 dia. x 3.87 in. .... 41

**AC ENGINEERING** ..... 42

**AC BLOWERS**

**AC BLOWERS/IMPELLERS PART NUMBERING SYSTEM** 43

**UF90DPB** (120 x 120 x 37 mm) 4.72 x 4.72 x 1.46 in. .... 44

**UF160DPB** (220 x 220 x 56.2 mm) 8.66 x 8.66 x 2.21 in. .... 44

**AC IMPELLERS**

**UF133(72)** (133 dia. x 91 mm) 3.62 x 3.62 x 1.5 in. .... 45

**UF133(91)APA** (133 dia. x 91 mm) 5.22 dia. x 3.60 in. .... 45

**UF175AMA** (175 dia. x 55 mm) 6.89 dia. x 2.16 in. .... 46

**UF180APA** (182 dia. x 84.9 mm) 7.18 dia. x 3.34 in. .... 46

**UF180(55)APA** (182 dia. x 55 mm) 7.18 dia. x 2.17 in. .... 47

**UF190APA** (190 dia. x 70 mm) 7.48 dia. x 2.75 in. .... 47

**UF190APA-F** (235 dia. x 87.2 mm) 9.25 dia. x 3.43 in. .... 48

**UF220APA** (223 dia. x 71 mm) 8.78 dia. x 2.79 in. .... 48

**UF220APA-F** (259 dia. x 97.8 mm) 10.20 dia. x 3.83 in. .... 49

**UF225(69)APA** (255 dia. x 69 mm) 8.86 dia. x 2.72 in. .... 49

**UF225(85)APA** (225 dia. x 85 mm) 8.86 dia. x 3.35 in. .... 50

**UF225(99)APA** (225 dia. x 99 mm) 8.86 dia. x 3.90 in. .... 50

**UF225(99)APA-F** (259 dia. x 117 mm) 10.20 dia. x 4.62 in. .... 51

**UF250APA** (251 dia. x 98 mm) 9.90 dia. x 3.86 in. .... 51

**UF250APA-F** (259 dia. x 131 mm) 10.20 dia. x 5.15 in. .... 52

**UF318AAA** (318 dia. x 154 mm) 12.5 dia. x 6.08 in. .... 52

**UF360AAA** (360 dia. x 167.3 mm) 14.17 dia. x 6.59 in. .... 53

**UF400AAA** (400 dia. x 162.4 mm) 15.75 dia. x 6.39 in. .... 53

**AC ENGINEERING** ..... 54

**ACCESSORIES**

**ACCESSORIES OFFERING** ..... 55

**IP55 FILTERS** ..... 56

**FINGER GUARDS** ..... 58

**CORDS** ..... 59

**VALUE ADD**

**CAPABILITIES** ..... 60

Warranty, Errors & Omissions  
 Mechatronics Fan Group of Mechatronics, Inc. assumes no responsibility for errors or omissions in this catalog. Mechatronics reserves the right to change information or specifications without notice. Application and use of this product is the sole responsibility of the user, however our personnel will advise you of guidelines for the proper parameters of use of the product. Mechatronics warrants the product to be free from defects in materials and workmanship only. Sellers only obligation hereunder is to either repair or replace the defective product or work within 12 months of product delivery to our customers. No other warranties are expressed or implied in fact or by law. Mechatronics is not liable for associated costs of work done by the buyer involving our product, or altered product.

# DC AXIAL FANS & BLOWERS

[ PART NUMBERING SYSTEM ]

**F 60 25 E 12 B \_ 1 - F H R - TTL**

## DC SERIES

A, B, E, F, G, M, . . . etc

## FRAME SIZE

25 ..... 25mm	97 ..... 97mm
30 ..... 30mm	12 ..... 120mm
38 ..... 38mm	13 ..... 127mm
40 ..... 40mm	17 ..... 172x150mm
50 ..... 50mm, 51mm	18 ..... 180mm
52 ..... 52mm	20 ..... 208mm
60 ..... 60mm	22 ..... 222mm
75 ..... 75mm	225 ... 225mm
80 ..... 80mm	25 ..... 255mm
92 ..... 92mm	280 ... 280mm

## FRAME THICKNESS

06 .... 6.1mm	38 ..... 38mm
10 .... 10mm	51 ..... 51mm
15 .... 15mm	60 ..... 60mm
20 .... 20mm	65 ..... 65mm
25 .... 25mm	72 ..... 72mm
28 .... 28mm	80 ..... 80mm
30 .... 30mm	89 ..... 89mm
32 .... 32mm	
33 .... 33mm	

## AIR FLOW

S, L, M, H, E, X, U, V

## VOLTAGE

05 ..... 5 VDC
12 ..... 12 VDC
24 ..... 24 VDC
48 ..... 48 VDC

## BEARINGS

B ..... 2 Ball Bearing
C ..... 1 Ball & 1 Sleeve
D ..... Sleeve

## SPECIAL OPTIONS

CC ..... Conformal coated motor
GB ..... Enhanced conformal coating process
EM..... IP57 Encapsulated motor
TTL..... Tachometer or locked rotor output signal is 5VDC ±0.5
WS ..... Open collector alarm output signal

## ROHS COMPLIANT

## IMPELLER STYLE

S .....Standard
H .....High-pressure
G .....Enhanced airflow

## HOUSING STYLE

R ..... Ribbed style (25, 28, 30, 40, 50, 60, & 80mm)
F ..... Flanged style (60, 80, 92, 120, 127, 172mm)
B ..... Blower

## OPTIONS

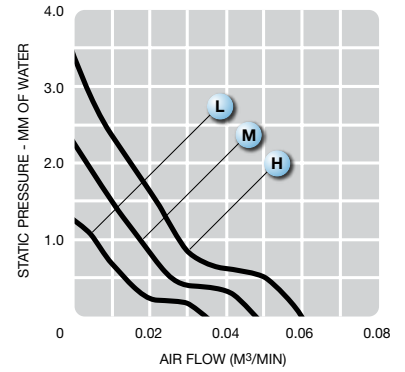
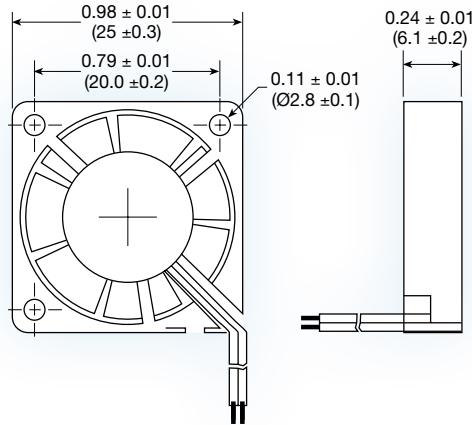
1 ..... Tachometer
2 ..... Locked rotor output
3 or 4.. Thermistor speed control
5 ..... Dual speed
6 ..... PWM speed control

## CONNECTION TYPE

Blank... UL1007 or UL1061 lead wires
T ..... 0.110 x 0.020 Faston male terminals(Terminals available on selected models)

*Cooling Simplified*

## MA2506 series



**(25 x 25 x 6.1 mm)**

0.98 x 0.98 x 0.24 inches

Construction: UL94V-0 PBT impeller & frame

Bearing option: ball bearing or sleeve

Connection: AWG 30, UL1007 lead wires

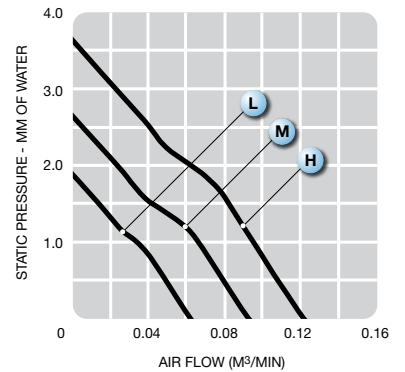
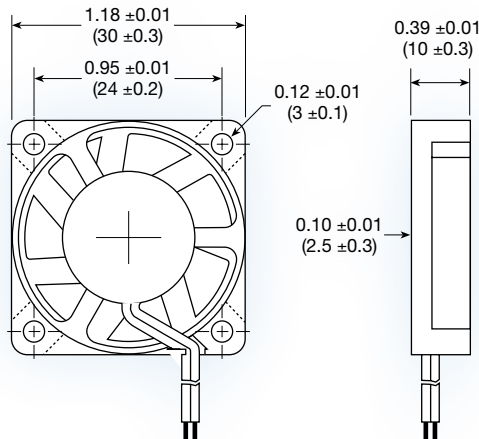
Frame: ribbed

Protection: thermal

Options: tachometer output signal

Model No.	Rated Voltage V	Operating Voltage V	Current mA	Speed RPM	Air Volume		Max. Static Pressure (H <sub>2</sub> O)		Sound Noise dBa	Weight g
					M <sup>3</sup> /Min.	CFM	MM	INCH		
MA2506L	5	3 - 6.5	50	6,500	0.03	1.22	1.25	0.05	11.0	8
MA2506M	5	3 - 6.5	60	8,500	0.05	1.65	2.30	0.09	19.0	8
MA2506H	5	3 - 6.5	70	10,500	0.06	2.08	3.37	0.13	25.5	8

## MA3010 series



**(30 x 30 x 10 mm)**

1.18 x 1.18 x 0.39 inches

Construction: UL94V-0 PBT impeller & frame

Bearing option: ball bearing or sleeve

Connection: AWG 30, UL1007 lead wires

Frame: ribbed

Protection: thermal

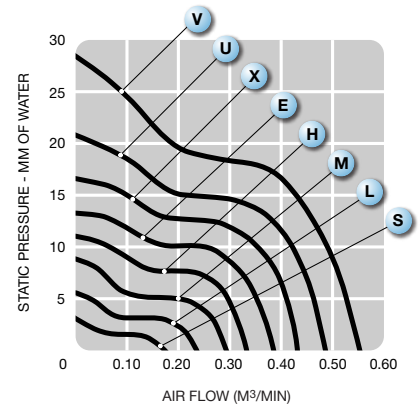
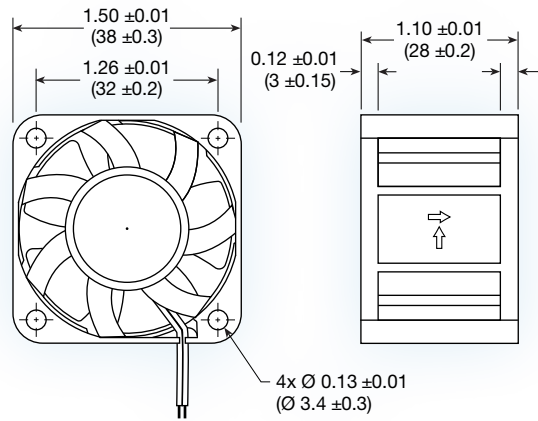
Options: tachometer output signal

Airflow: air intake over struts

Model No.	Rated Voltage V	Operating Voltage V	Current mA	Speed RPM	Air Volume		Max. Static Pressure (H <sub>2</sub> O)		Sound Noise dBa	Weight g
					M <sup>3</sup> /Min.	CFM	MM	INCH		
MA3010L	5	3 - 6.5	60	5,000	0.06	2.15	1.85	0.07	15	8
MA3010M	5	3 - 6.5	70	7,000	0.09	3.17	2.64	0.11	21	8
MA3010H	5	3 - 6.5	140	9,000	0.12	4.22	3.77	0.15	28	8
MA3010L	12	7 - 13.8	40	5,000	0.06	2.15	1.85	0.07	15	8
MA3010M	12	7 - 13.8	70	7,000	0.09	3.17	2.64	0.11	21	8
MA3010H	12	7 - 13.8	100	9,000	0.12	4.22	3.77	0.15	28	8

# MA3828 series

## HIGH PERFORMANCE

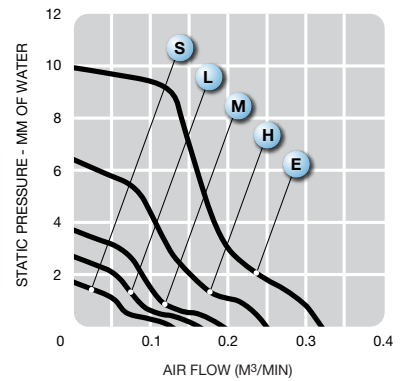
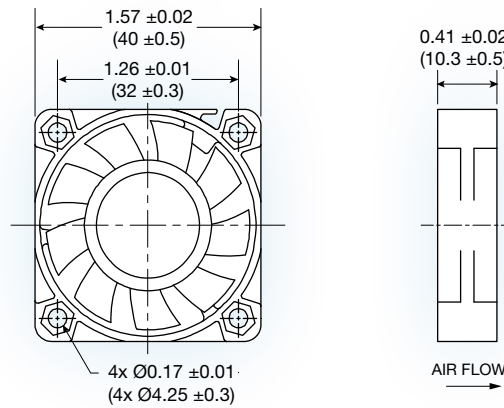


**(38 x 38 x 28 mm)**  
1.50 x 1.50 x 1.10 inches

Construction:	UL94V-0 PBT impeller & frame
Bearing option:	ball bearing
Connection:	AWG 26, UL1007 lead wires
Frame:	ribbed
Protection:	thermal
Options:	tachometer output or locked rotor alarm signal; PWM speed control

Model No.	Rated Voltage V	Operating Voltage V	Current mA	Speed RPM	Air Volume		Max. Static Pressure (H <sub>2</sub> O)		Sound Noise dbA	Weight g
					M <sup>3</sup> /Min.	CFM	MM	INCH		
MA3828S	12	7 - 13.2	50	5,000	0.176	6.20	3.39	0.136	30.8	35
MA3828L	12	7 - 13.2	85	6,500	0.233	8.28	5.50	0.220	33.2	35
MA3828M	12	7 - 13.2	140	8,000	0.288	10.18	8.97	0.350	37.2	35
MA3828H	12	7 - 13.2	200	9,200	0.333	11.75	11.05	0.442	39.0	35
MA3828E	12	7 - 13.2	240	10,300	0.381	13.44	13.50	0.540	41.0	35
MA3828X	12	7 - 13.2	350	11,500	0.426	15.01	16.83	0.698	43.0	35
MA3828U	12	7 - 13.2	520	13,000	0.482	16.96	21.50	0.866	47.5	35
MA3828V	12	7 - 13.2	650	15,000	0.556	19.57	28.63	1.145	53.1	35

# G4010 series

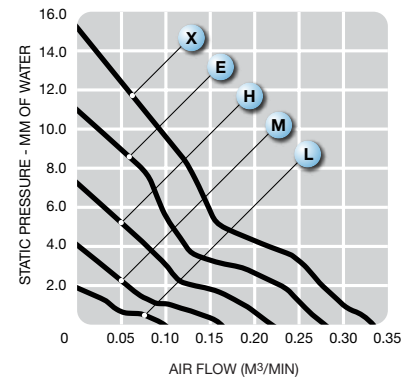
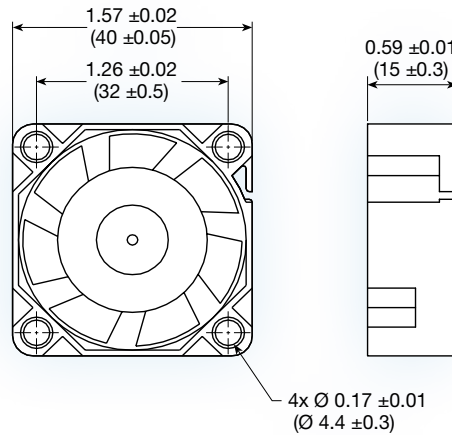


**(40 x 40 x 10.3 mm)**  
1.57 x 1.57 x 0.41 inches

Construction:	UL94V-0 PBT impeller & frame
Bearing option:	ball bearing
Connection:	AWG 26, UL1061 lead wires
Frame:	ribbed
Protection:	thermal
Options:	tachometer output or locked rotor alarm signal

Model No.	Rated Voltage V	Current mA			Speed RPM	Air Volume		Max. Static Pressure (H <sub>2</sub> O)		Sound Noise dbA	Weight g
		5	12	24		M <sup>3</sup> /Min.	CFM	MM	INCH		
G4010S	5/12	90	60	-	4,000	0.13	5.00	1.70	0.07	21	12
G4010L	5/12/24	140	100	70	5,000	0.16	6.00	2.70	0.11	22	12
G4010M	5/12/24	240	150	100	6,000	0.19	7.00	3.70	0.15	28	12
G4010H	5/12/24	400	220	160	8,000	0.25	9.00	6.40	0.25	35	12
G4010E	12/24	-	350	250	10,000	0.32	11.00	9.90	0.39	41	12

## G4015 series

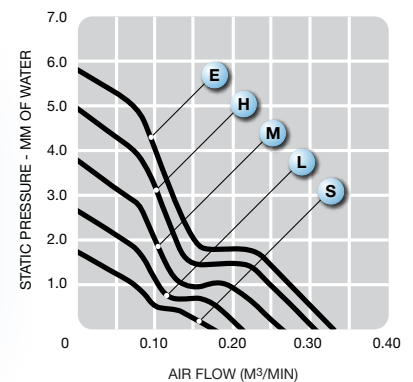
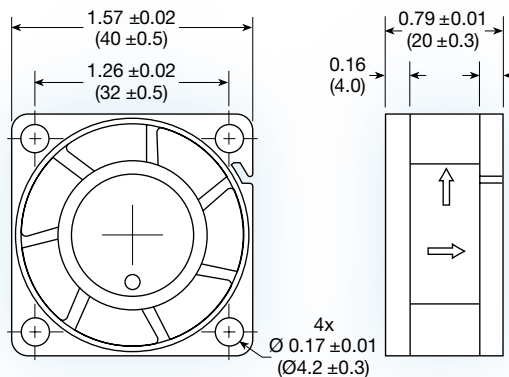


**(40 x 40 x 15 mm)**  
1.57 x 1.57 x 0.59 inches

Construction:	UL94V-0 PBT impeller & frame
Bearing option:	ball bearing
Connection:	AWG 26, UL1061 lead wires
Frame:	ribbed
Protection:	thermal
Options:	tachometer output or locked rotor alarm signal; PWM speed control

Model No.	Rated Voltage V	Current mA			Speed RPM	Air Volume		Max. Static Pressure (H <sub>2</sub> O)		Sound Noise dbA	Weight g
		5	12	24		M³/Min.	CFM	MM	INCH		
G4015L	5/12/24	200	80	50	4,000	0.10	4.00	1.84	0.07	20	23
G4015M	5/12/24	300	130	70	6,000	0.16	6.00	4.08	0.16	23	23
G4015H	5/12/24	400	200	90	8,000	0.22	8.00	7.24	0.29	29	23
G4015E	12/24	-	270	110	10,000	0.28	10.00	11.02	0.43	35	23
G4015X	12/24	-	350	160	12,000	0.33	12.00	15.31	0.60	39	23

## G4020 series



**(40 x 40 x 20 mm)**  
1.57 x 1.57 x 0.79 inches

Construction:	UL94V-0 PBT impeller & frame
Bearing option:	ball bearing or sleeve
Connection:	AWG 26, UL1007 lead wires
Frame:	ribbed
Protection:	thermal
Options:	tachometer output or locked rotor alarm signal; encapsulated motor; PWM speed control

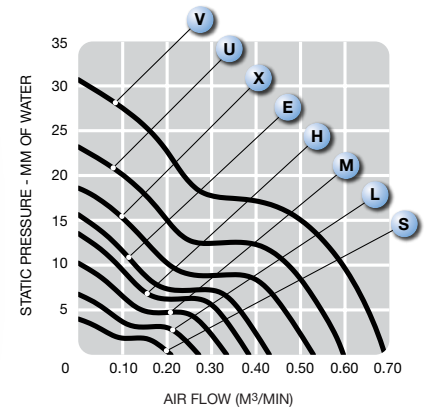
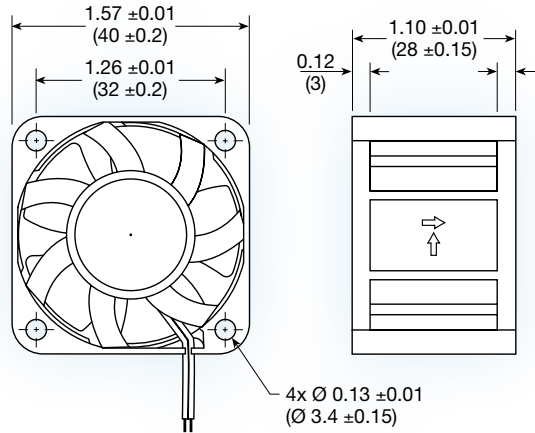
Model No.	Rated Voltage V	Current mA			Speed RPM	Air Volume		Max. Static Pressure (H <sub>2</sub> O)		Sound Noise dbA	Weight g
		5	12	24		M³/Min.	CFM	MM	INCH		
G4020S	5/12	120	50	-	4,000	0.18	6.00	1.74	0.07	21	28
G4020L	5/12	160	70	-	5,000	0.22	8.00	2.66	0.11	23	28
G4020M	5/12/24	220	95	65	6,000	0.26	9.00	3.75	0.15	26	28
G4020H	5/12/24	300	130	80	7,000	0.31	11.00	4.98	0.20	29	28
G4020E	5/12/24	440	160	110	8,000	0.33	11.70	5.81	0.23	32	28





# MD4028 series

## HIGH PERFORMANCE

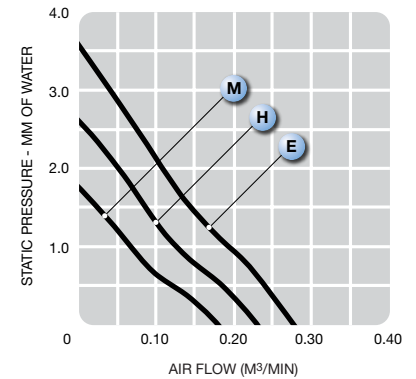
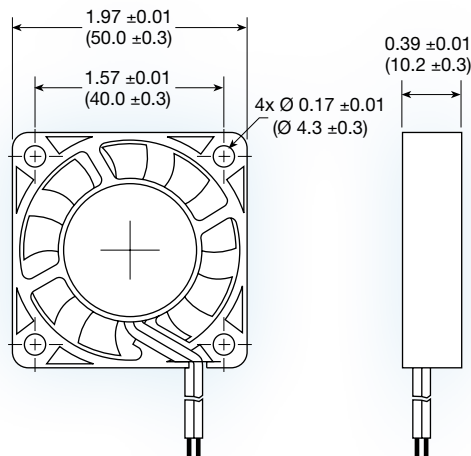


**(40 x 40 x 28 mm)**  
1.57 x 1.57 x 1.10 inches

Construction:	UL94V-0 PBT impeller & frame
Bearing option:	ball bearing
Connection:	AWG 26, UL1007 lead wires
Frame:	ribbed
Protection:	thermal
Options:	tachometer output or locked rotor alarm signal; PWM speed control

Model No.	Rated Voltage V	Current mA		Speed RPM	Air Volume		Max. Static Pressure (H <sub>2</sub> O)		Sound Noise dbA	Weight g
		12	24		M <sup>3</sup> /Min.	CFM	MM	INCH		
MD4028S	12/24	70	50	5,000	0.209	7.38	4.05	0.159	30.8	50
MD4028L	12/24	100	70	6,500	0.272	9.59	6.75	0.266	33.2	50
MD4028M	12/24	140	90	8,000	0.335	11.82	10.23	0.403	37.2	50
MD4028H	12/24	210	120	9,200	0.384	13.57	13.53	0.533	41.0	50
MD4028E	12/24	240	140	10,300	0.430	15.19	16.96	0.670	44.0	50
MD4028X	12/24	350	180	11,500	0.529	18.67	17.72	0.709	47.3	50
MD4028U	12	520	-	13,000	0.598	21.11	22.64	0.906	50.0	50
MD4028V	12	650	-	15,000	0.690	24.35	30.14	1.206	53.1	50

# M5010 series

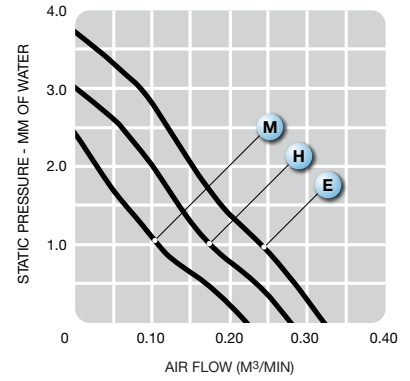
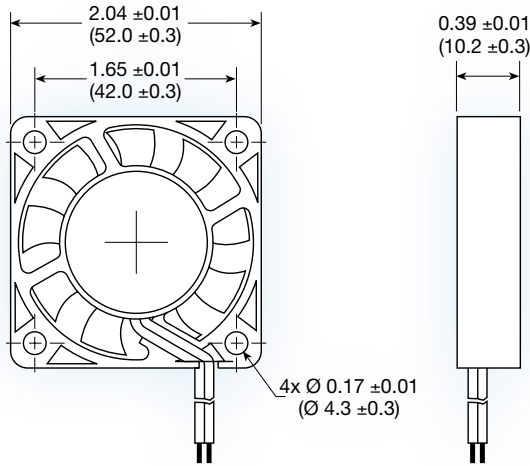


**(50 x 50 x 10 mm)**  
1.97 x 1.97 x 0.39 inches

Construction:	UL94V-0 PBT impeller & frame
Bearing option:	ball bearing or sleeve
Connection:	AWG 26, UL1007 lead wires
Frame:	ribbed
Protection:	impedance
Options:	tachometer output signal

Model No.	Rated Voltage V	Operating Voltage V	Current mA	Speed RPM	Air Volume		Max. Static Pressure (H <sub>2</sub> O)		Sound Noise dbA	Weight g
					M <sup>3</sup> /Min.	CFM	MM	INCH		
M5010M	5	3-6.0	60	4,000	0.18	6.36	1.77	0.07	24	20
M5010H	5	3-6.0	80	5,000	0.23	8.12	2.63	0.11	26	20
M5010E	5	3-6.0	150	6,000	0.28	9.89	3.60	0.14	28	20
M5010M	12	7-13.8	60	4,000	0.18	6.36	1.77	0.07	24	20
M5010H	12	7-13.8	70	5,000	0.23	8.12	2.63	0.11	26	20
M5010E	12	7-13.8	120	6,000	0.28	9.89	3.60	0.14	28	20

## M5210 series

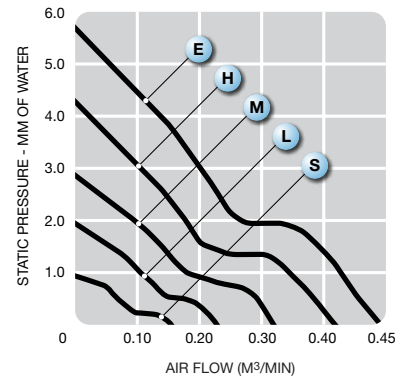
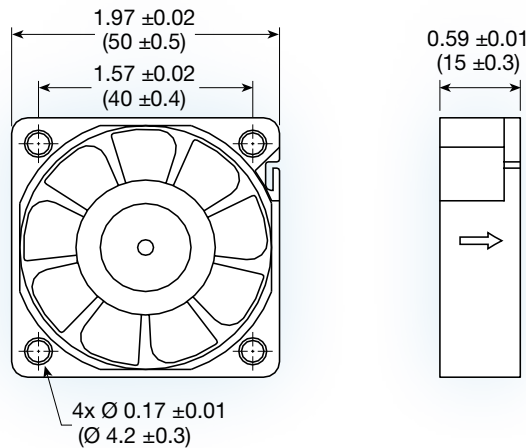


**(52 x 52 x 10 mm)**  
 2.04 x 2.04 x 0.39 inches

- Construction: UL94V-0 PBT impeller & frame
- Bearing option: ball bearing or sleeve
- Connection: AWG 26, UL1007 lead wires
- Frame: ribbed
- Protection: impedance
- Options: tachometer output signal

Model No.	Rated Voltage V	Operating Voltage V	Current mA	Speed RPM	Air Volume		Max. Static Pressure (H <sub>2</sub> O)		Sound Noise dbA	Weight g
					M³/Min.	CFM	MM	INCH		
M5210M	5	3 - 6.0	80	4,000	0.22	7.77	2.40	0.10	24	20
M5210H	5	3 - 6.0	160	5,000	0.28	9.89	3.00	0.12	26	20
M5210M	12	7 - 13.8	70	4,000	0.22	7.77	2.40	0.10	24	20
M5210H	12	7 - 13.8	100	5,000	0.28	9.89	3.00	0.12	26	20
M5210E	12	7 - 13.8	120	6,000	0.32	11.30	3.70	0.15	28	20

## G5015 series



**(50 x 50 x 15 mm)**  
 1.97 x 1.97 x 0.59 inches

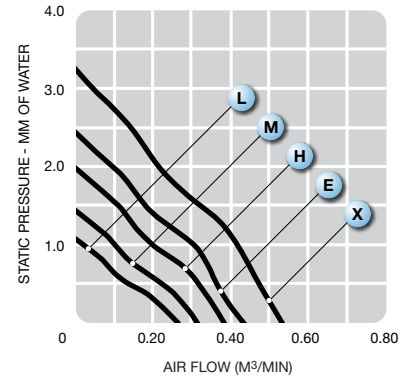
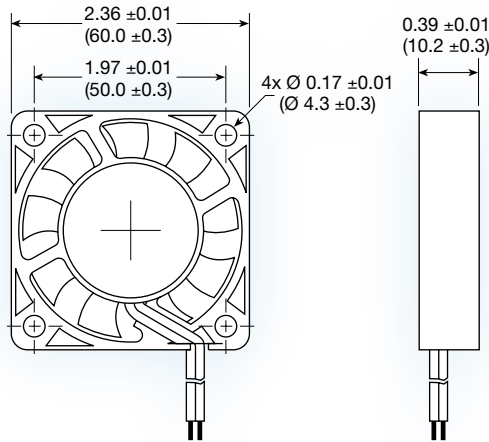
- Construction: UL94V-0 PBT impeller & frame
- Bearing option: ball bearing
- Connection: AWG 26, UL1061 lead wires
- Frame: ribbed
- Protection: thermal
- Options: tachometer output or locked rotor alarm signal; PWM speed control

Model No.	Rated Voltage V	Current mA			Speed RPM	Air Volume		Max. Static Pressure (H <sub>2</sub> O)		Sound Noise dbA	Weight g
		5	12	24		M³/Min.	CFM	MM	INCH		
G5015S	5/12/24	150	80	70	2,500	0.15	5.00	0.92	0.04	20	35
G5015L	5/12/24	220	130	100	3,500	0.22	8.00	1.94	0.08	22	35
G5015M	5/12/24	300	200	140	4,500	0.31	11.00	2.86	0.11	24	35
G5015H	5/12/24	400	280	180	5,500	0.37	13.00	4.29	0.17	29	35
G5015E	12/24	-	400	250	6,500	0.44	16.00	5.71	0.22	34	35



# MB6010 series

## THIN PROFILE



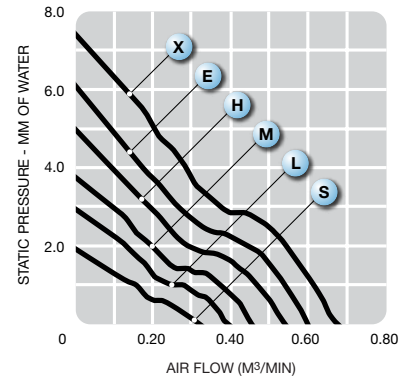
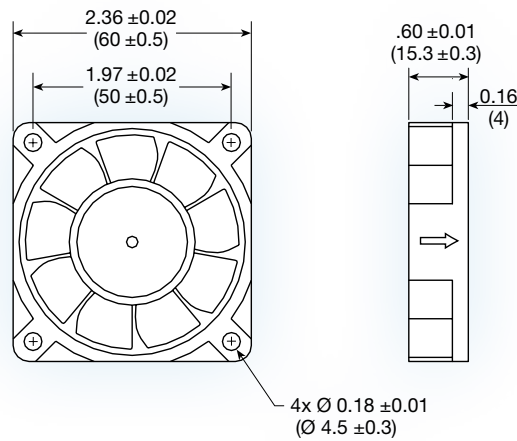
**(60 x 60 x 10 mm)**  
2.36 x 2.36 x 0.39 inches

Construction:	UL94V-0 PBT impeller & frame
Bearing option:	ball bearing
Connection:	AWG 26, UL1007 lead wires
Frame:	ribbed
Protection:	thermal
Options:	tachometer output or locked rotor alarm signal

Model No.	Rated Voltage V	Operating Voltage V	Current mA	Speed RPM	Air Volume		Max. Static Pressure (H <sub>2</sub> O)		Sound Noise dbA	Weight g
					M <sup>3</sup> /Min.	CFM	MM	INCH		
MB6010L	12	6 - 13.8	50	2,700	0.27	9.35	1.07	0.04	19.0	26
MB6010M	12	6 - 13.8	80	3,200	0.31	11.04	1.43	0.06	22.5	26
MB6010H	12	6 - 13.8	120	3,900	0.38	13.48	1.98	0.08	28.0	26
MB6010E	12	6 - 13.8	140	4,400	0.43	15.30	2.43	0.10	30.5	26
MB6010X	12	6 - 13.8	160	5,300	0.53	18.65	3.22	0.13	35.0	26

TOC

# G6015-G series

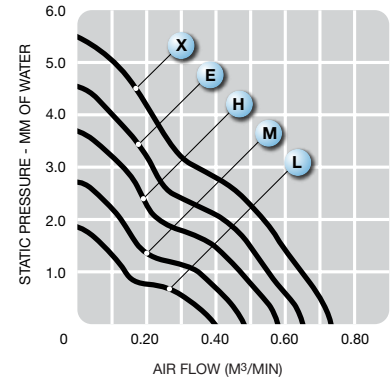
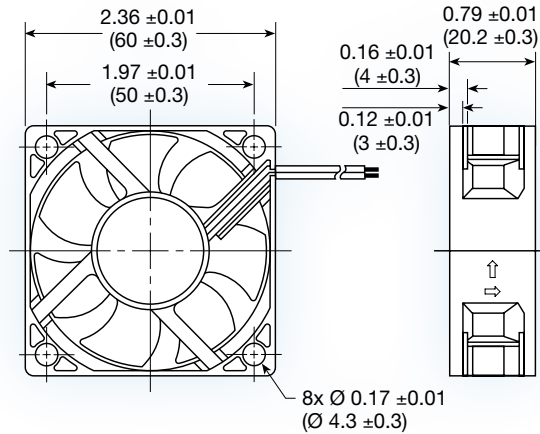


**(60 x 60 x 15 mm)**  
2.36 x 2.36 x 0.60 inches

<b>Features:</b>	<b>high static pressure impeller design</b>
Construction:	UL94V-0 PBT impeller & frame
Bearing option:	ball bearing
Connection:	AWG 26, UL1007 lead wires
Frame:	ribbed
Protection:	thermal
Options:	tachometer output or locked rotor alarm signal; encapsulated motor; PWM speed control

Model No.	Rated Voltage V	Current mA			Speed RPM	Air Volume		Max. Static Pressure (H <sub>2</sub> O)		Sound Noise dbA	Weight g
		5	12	24		M <sup>3</sup> /Min.	CFM	MM	INCH		
G6015S-G	5/12	90	70	-	2,800	0.32	11.0	1.94	0.08	21	26
G6015L-G	5/12/24	130	90	65	3,400	0.39	14.0	2.96	0.12	25	26
G6015M-G	5/12/24	220	110	75	4,000	0.46	16.0	3.78	0.15	28	26
G6015H-G	5/12/24	280	130	95	4,600	0.54	19.0	5.00	0.20	30	26
G6015E-G	5/12/24	350	180	110	5,200	0.60	21.0	6.12	0.24	32	26
G6015X-G	12/24	-	230	130	5,800	0.68	24.0	7.45	0.29	35	26

# MD6020 series

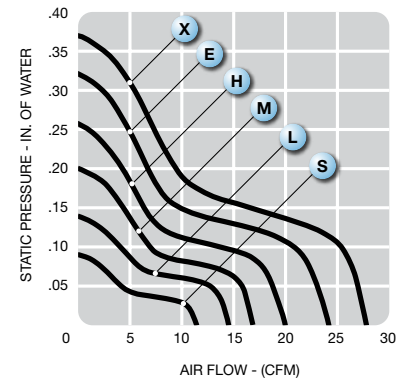
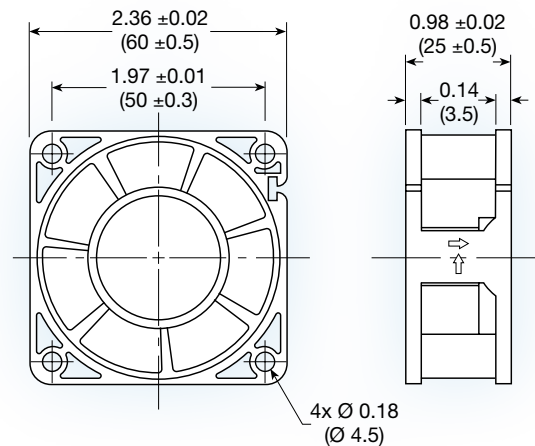


**(60 x 60 x 20 mm)**  
2.36 x 2.36 x 0.79 inches

- Construction: UL94V-0 PBT impeller & frame
- Bearing option: ball bearing or sleeve
- Connection: AWG 26, UL1007 lead wires
- Frame: flanged
- Protection: thermal
- Options: tachometer output or locked rotor alarm signal

Model No.	Rated Voltage V	Operating Voltage V	Current mA	Speed RPM	Air Volume		Max. Static Pressure (H <sub>2</sub> O)		Sound Noise dbA	Weight g
					M³/Min.	CFM	MM	INCH		
MD6020L	12	6 - 13.8	100	2,700	0.39	13.9	1.88	0.07	23.0	43
MD6020M	12	6 - 13.8	120	3,200	0.48	16.9	2.75	0.11	27.5	43
MD6020H	12	6 - 13.8	160	3,900	0.58	20.4	3.72	0.15	31.0	43
MD6020E	12	6 - 13.8	220	4,400	0.65	23.0	4.56	0.18	33.5	43
MD6020X	12	6 - 13.8	300	4,900	0.73	25.8	5.51	0.22	37.0	43

# F6025-H series



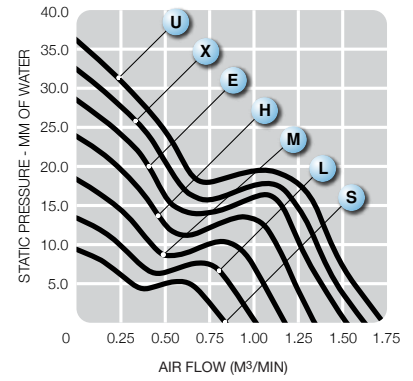
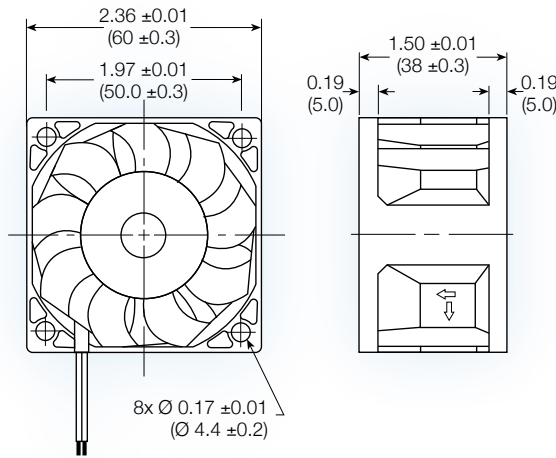
**(60 x 60 x 25 mm)**  
2.36 x 2.36 x 0.98 inches

- Construction: UL94V-0 PBT impeller & frame
- Bearing option: ball bearing
- Connection: AWG 24, UL1007 lead wires
- Frame: flanged or ribbed
- Protection: thermal
- Options: tachometer output or locked rotor alarm signal; thermistor speed control; encapsulated motor; PWM speed control

Model No.	Rated Voltage V	Current mA		Speed RPM	Air Volume		Max. Static Pressure (H <sub>2</sub> O)		Sound Noise dbA	Weight g
		12	24		M³/Min.	CFM	MM	INCH		
F6025S-H	12/24	75	40	2,400	0.33	12	2.25	0.09	22	63
F6025L-H	12/24	85	45	3,000	0.39	14	3.50	0.14	25	63
F6025M-H	12/24	95	55	3,600	0.48	17	5.00	0.20	28	63
F6025H-H	12/24	140	80	4,200	0.57	20	6.50	0.26	32	63
F6025E-H	12/24	230	125	5,000	0.67	24	8.00	0.32	37	63
F6025X-H	12/24	330	170	5,800	0.79	28	9.25	0.37	42	63



# ME6038 series



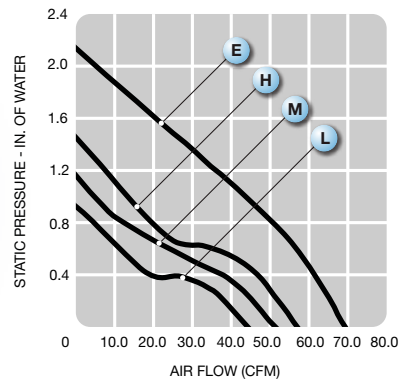
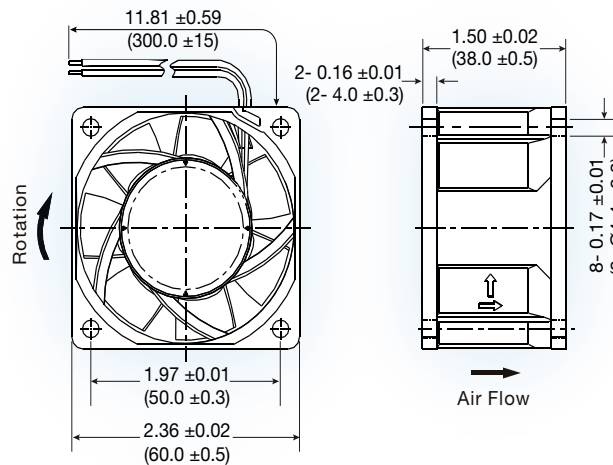
**(60 x 60 x 38 mm)**  
2.36 x 2.36 x 1.50 inches

- Construction: UL94V-0 PBT impeller & frame
- Bearing option: ball bearing
- Connection: AWG 26, UL1007 lead wires
- Frame: flanged
- Protection: thermal
- Options: tachometer output or locked rotor signal; PWM speed control

Model No.	Rated Voltage V	Operating Voltage V	Current A	Speed RPM	Air Volume		Max. Static Pressure (H <sub>2</sub> O)		Sound Noise dbA	Weight g
					M <sup>3</sup> /Min.	CFM	MM	INCH		
ME6038S	12	7 - 13.2	0.38	5,000	0.838	29.58	9.23	0.36	44.6	104
ME6038L	12	7 - 13.2	0.50	6,000	1.006	35.51	13.31	0.52	48.5	104
ME6038M	12	7 - 13.2	0.67	7,000	1.177	41.55	18.10	0.71	53.2	104
ME6038H	12	7 - 13.2	0.86	8,000	1.342	47.38	23.68	0.93	58.0	104
ME6038E	12	7 - 13.2	1.20	8,800	1.525	53.85	27.70	1.09	60.0	104
ME6038X	12	7 - 13.2	1.40	9,400	1.629	57.52	31.60	1.24	63.0	104
ME6038U	12	7 - 13.2	1.80	10,000	1.733	61.19	35.30	1.41	65.0	104

# MQ6038 series

HIGH PERFORMANCE



**(60 x 60 x 38 mm)**  
2.36 x 2.36 x 1.50 inches

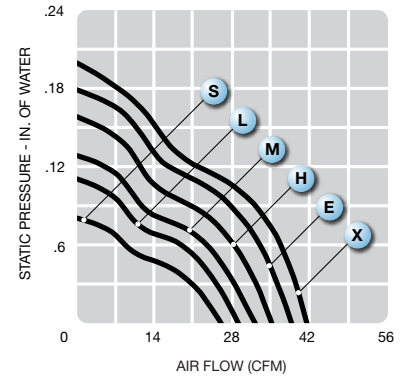
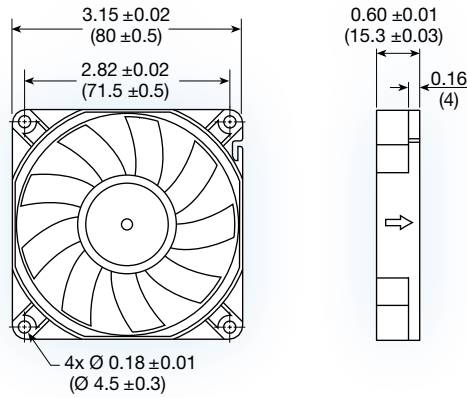
- Construction: UL94V-0 PBT impeller & frame
- Bearing option: ball bearing
- Connection: AWG 24, UL1007 lead wires
- Frame: flanged
- Protection: thermal
- Options: tachometer output or locked rotor alarm signal; PWM speed control

Model No.	Rated Voltage V	Current mA			Speed RPM	Air Volume		Max. Static Pressure (H <sub>2</sub> O)		Sound Noise dbA	Weight g
		12	24	48		M <sup>3</sup> /Min.	CFM	MM	INCH		
MQ6038L	12/24/48	480	260	210	8,000	1.26	44.60	23.2	0.91	53	106
MQ6038M	12/24/48	650	360	260	9,000	1.45	51.30	29.1	1.15	57	106
MQ6038H	12/24/48	860	460	310	10,000	1.61	57.00	36.3	1.43	60	106
MQ6038E	12/24/48	1600	720	410	11,000	1.96	69.20	53.6	2.11	64	106

TOC

QUALITY ISO 9001:2008 REGISTERED

## G8015-G series



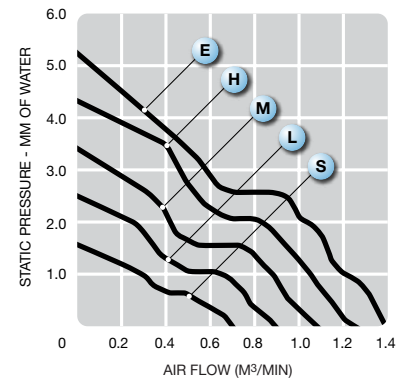
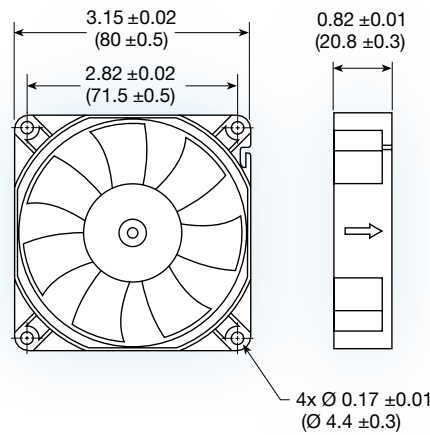
**(80 x 80 x 15 mm)**

3.15 x 3.15 x 0.59 inches

Construction:	UL94V-0 PBT impeller & frame
Bearing option:	ball bearing or sleeve
Connection:	AWG 26, UL1007 lead wires
Frame:	ribbed
Protection:	thermal
Options:	tachometer output or locked rotor alarm signal; encapsulated motor; PWM speed control

Model No.	Rated Voltage V	Current mA			Speed RPM	Air Volume		Max. Static Pressure (H <sub>2</sub> O)		Sound Noise dBa	Weight g
		5	12	24		M <sup>3</sup> /Min.	CFM	MM	INCH		
G8015S-G	5/12/24	200	100	80	2,800	0.73	26	2.24	0.09	28	58
G8015L-G	5/12/24	280	130	90	3,200	0.82	29	2.86	0.11	31	58
G8015M-G	5/12/24	380	180	120	3,600	0.92	32	3.47	0.14	34	58
G8015H-G	12/24	-	230	150	4,000	1.05	37	4.29	0.17	36	58
G8015E-G	12/24	-	320	180	4,400	1.13	40	5.00	0.20	38	58
G8015X-G	12/24	-	350	250	4,800	1.23	43	5.92	0.23	40	58

## G8020 series



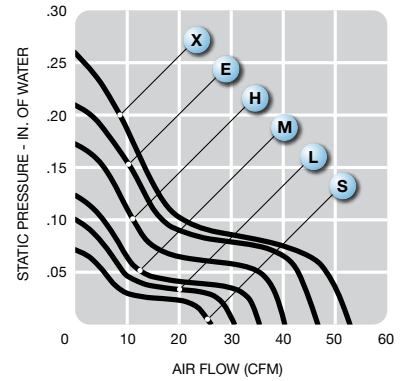
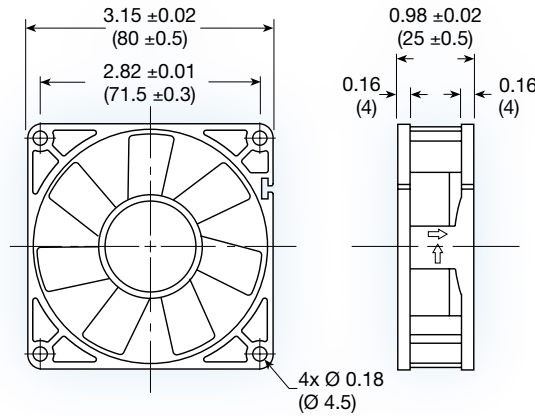
**(80 x 80 x 20 mm)**

3.15 x 3.15 x 0.79 inches

Construction:	UL94V-0 PBT impeller & frame
Bearing option:	ball bearing
Connection:	AWG 26, UL1007 lead wires
Frame:	ribbed
Protection:	thermal
Options:	tachometer output or locked rotor alarm signal; PWM speed control

Model No.	Rated Voltage V	Current mA			Speed RPM	Air Volume		Max. Static Pressure (H <sub>2</sub> O)		Sound Noise dBa	Weight g
		5	12	24		M <sup>3</sup> /Min.	CFM	MM	INCH		
G8020S	5/12/24	200	70	60	2,000	0.69	24	1.53	0.06	22	84
G8020L	5/12/24	300	110	75	2,500	0.88	31	2.45	0.10	25	84
G8020M	5/12/24	400	160	90	3,000	1.07	38	3.37	0.13	29	84
G8020H	12/24	-	230	140	3,500	1.23	43	4.29	0.17	33	84
G8020E	12/24	-	330	200	4,000	1.39	49	5.20	0.20	37	84

# F8025-H series



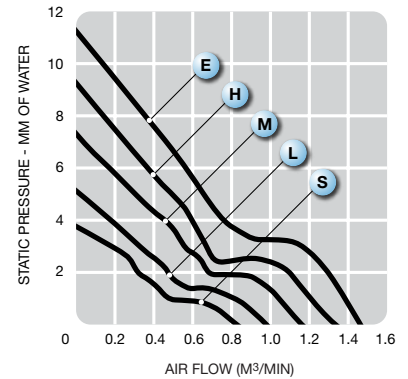
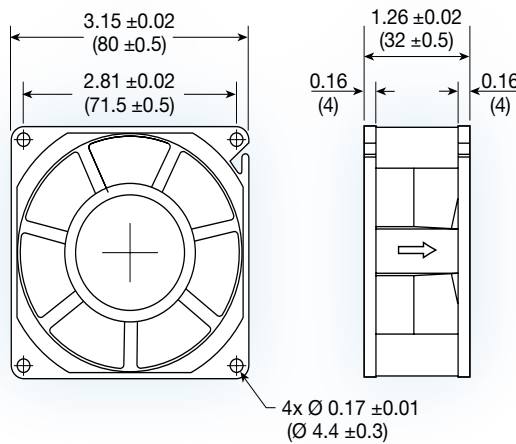
**(80 x 80 x 25 mm)**

3.15 x 3.15 x 0.98 inches

Construction:	UL94V-0 PBT impeller & frame
Bearing option:	ball bearing or sleeve
Connection:	AWG 24, UL1007 lead wires
Frame:	flanged or ribbed
Protection:	thermal
Options:	tachometer output or locked rotor alarm signal; thermistor speed control; encapsulated motor; PWM speed control

Model No.	Rated Voltage V	Current mA		Speed RPM	Air Volume		Max. Static Pressure (H <sub>2</sub> O)		Sound Noise dB <sub>A</sub>	Weight g
		12	24		M <sup>3</sup> /Min.	CFM	MM	INCH		
F8025S-H	12/24	75	50	2,000	0.73	26	1.75	0.07	22	82
F8025L-H	12/24	90	60	2,400	0.87	31	2.50	0.10	26	82
F8025M-H	12/24	120	80	2,800	0.99	35	3.00	0.12	29	82
F8025H-H	12/24	145	90	3,200	1.13	40	4.25	0.17	32	82
F8025E-H	12/24	240	140	3,600	1.30	46	5.25	0.21	35	82
F8025X-H	12/24	480	260	4,200	1.50	53	6.50	0.26	39	82

# G8032 series



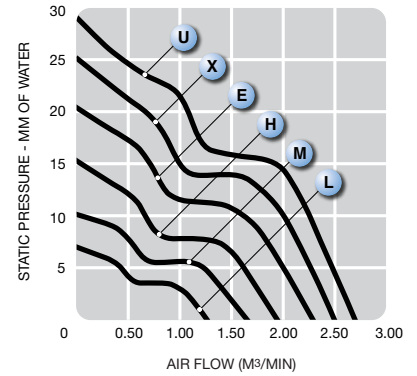
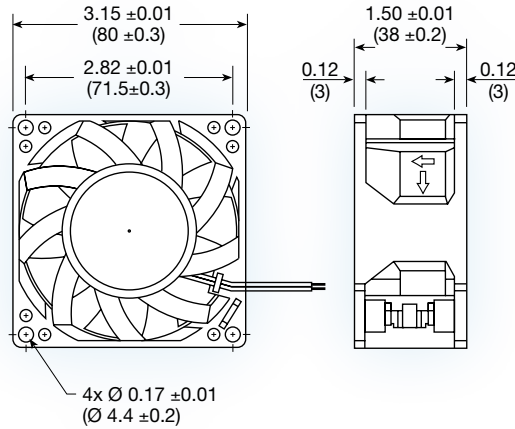
**(80 x 80 x 32 mm)**

3.15 x 3.15 x 1.26 inches

Construction:	UL94V-0 PBT impeller & frame
Bearing option:	ball bearing
Connection:	AWG 24, 1007 lead wires
Frame:	ribbed
Protection:	thermal
Options:	tachometer output or locked rotor alarm signal; encapsulated motor; PWM speed control

Model No.	Rated Voltage V	Current mA		Speed RPM	Air Volume		Max. Static Pressure (H <sub>2</sub> O)		Sound Noise dB <sub>A</sub>	Weight g
		12	24		M <sup>3</sup> /Min.	CFM	MM	INCH		
G8032S	12/24	140	100	2,500	0.82	29	3.70	0.15	30	129
G8032L	12/24	200	150	3,000	0.97	34	5.10	0.20	34	129
G8032M	12/24	260	200	3,500	1.17	41	7.30	0.29	38	129
G8032H	12/24	450	250	4,000	1.35	48	9.30	0.37	42	129
G8032E	12/24	550	330	4,500	1.47	52	11.30	0.44	46	129

# MC8038 series



**(80 x 80 x 38 mm)**

3.15 x 3.15 x 1.50 inches

Construction: UL94V-0 PBT impeller & frame

Bearing option: ball bearing

Connection: AWG 26, UL1007 lead wires

Frame: flanged

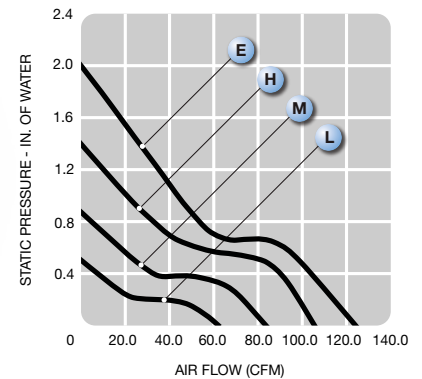
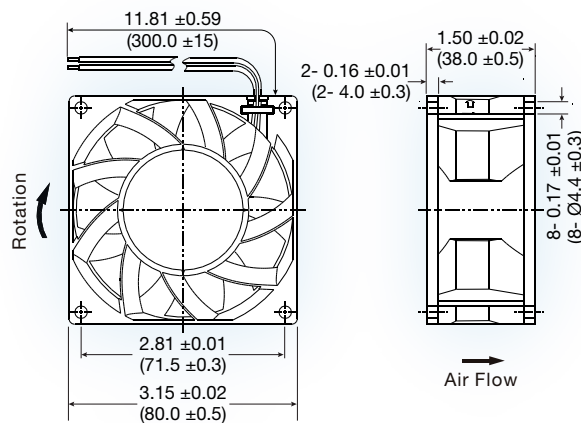
Protection: thermal

Options: tachometer output or locked rotor alarm signal; PWM speed control

Model No.	Rated Voltage V	Current mA			Speed RPM	Air Volume		Max. Static Pressure (H <sub>2</sub> O)		Sound Noise dBa	Weight g
		12	24	48		M <sup>3</sup> /Min.	CFM	MM	INCH		
MC8038L	12/24/48	240	140	90	3,400	1.28	45.3	7.23	0.28	39.0	180
MC8038M	12/24/48	370	230	140	4,200	1.63	57.5	10.30	0.41	44.5	180
MC8038H	12/24/48	610	330	190	5,000	1.98	69.9	15.62	0.61	48.2	180
MC8038E	12/24/48	930	450	280	5,800	2.31	81.6	21.38	0.84	52.1	180
MC8038X	12/24	1200	600	-	6,300	2.51	86.6	25.22	0.99	56.4	180
MC8038U	12/24	1500	890	-	6,800	2.71	95.6	29.38	1.15	60.2	180

# MQ8038 series

**HIGH PERFORMANCE**



**(80 x 80 x 38 mm)**

3.15 x 3.15 x 1.50 inches

Construction: UL94V-0 PBT impeller & frame

Bearing option: ball bearing

Connection: AWG 24, UL1007 lead wires

Frame: flanged

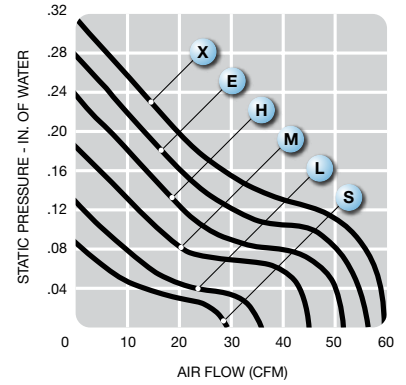
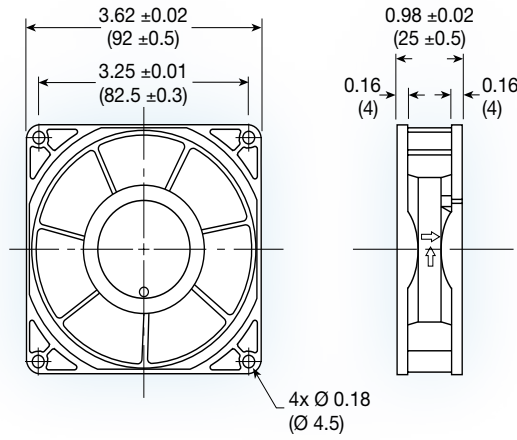
Protection: thermal

Options: tachometer output or locked rotor alarm signal; PWM speed control

Model No.	Rated Voltage V	Current mA			Speed RPM	Air Volume		Max. Static Pressure (H <sub>2</sub> O)		Sound Noise dBa	Weight g
		12	24	48		M <sup>3</sup> /Min.	CFM	MM	INCH		
MQ8038L	12/24/48	450	250	180	4,500	1.74	61.50	12.4	0.49	49	180
MQ8038M	12/24/48	850	450	280	6,000	2.36	83.40	21.8	0.86	57	180
MQ8038H	12/24/48	1550	780	450	7,500	2.98	105.20	34.8	1.37	63	180
MQ8038E	12/24/48	2800	1400	750	9,000	3.49	123.30	50.0	1.97	67	180



## E9225 series HIGH PERFORMANCE

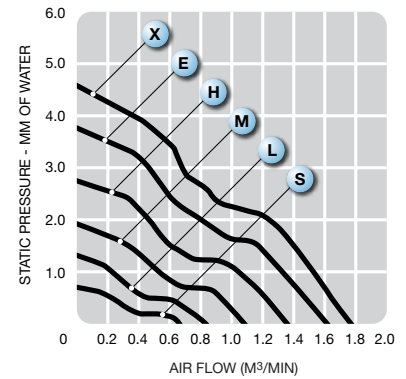
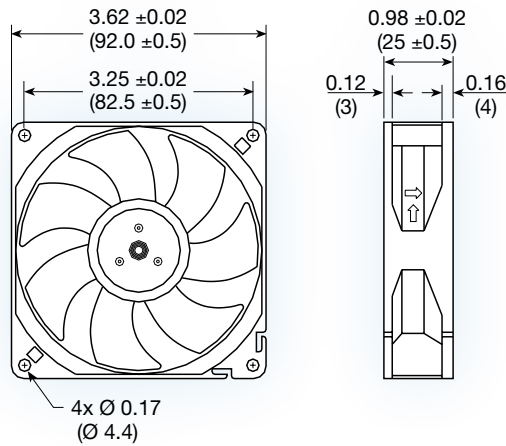


**(92 x 92 x 25 mm)**  
 3.62 x 3.62 x 0.98 inches

Construction:	UL94V-0 PBT impeller & frame
Bearing option:	ball bearing
Connection:	AWG 24, 1007 lead wires
Frame:	flanged
Protection:	thermal
Options:	tachometer output or locked rotor alarm signal; PWM speed control

Model No.	Rated Voltage V	Current mA				Speed RPM	Air Volume		Max. Static Pressure (H <sub>2</sub> O)		Sound Noise dBa	Weight g
		5	12	24	48		M <sup>3</sup> /Min.	CFM	MM	INCH		
E9225S	5/12/24	270	98	60	-	2,000	0.82	29	2.25	0.09	24	111
E9225L	5/12/24	400	150	85	-	2,400	0.99	35	3.25	0.13	27	111
E9225M	5/12/24	560	235	125	-	2,800	1.24	44	4.75	0.19	32	111
E9225H	12/24/48	-	360	168	65	3,200	1.44	51	6.00	0.24	36	111
E9225E	12/24/48	-	498	255	85	3,600	1.58	56	7.00	0.28	39	111
E9225X	12/24/48	-	550	300	130	4,000	1.70	60	8.00	0.32	43	111

## G9225-G series LOW NOISE

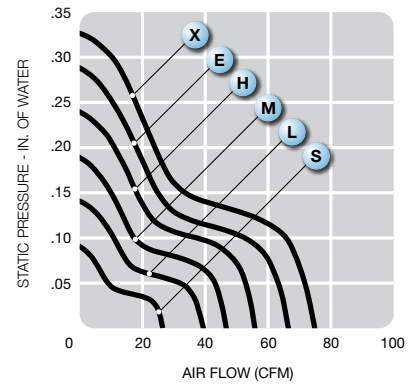
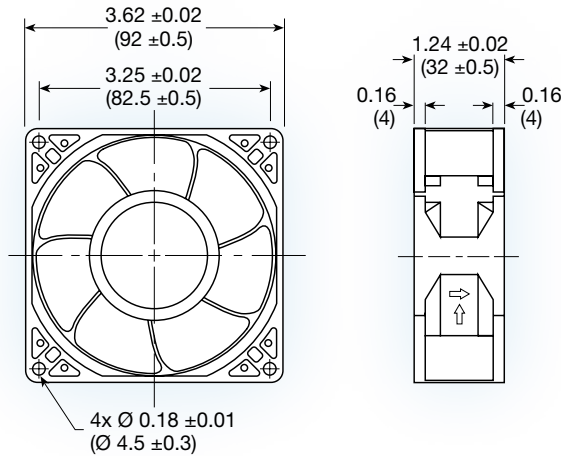


**(92 x 92 x 25 mm)**  
 3.62 x 3.62 x 0.98 inches

Construction:	UL94V-0 PBT impeller & frame
Bearing option:	ball bearing or sleeve
Connection:	AWG 24, UL1007 lead wires
Frame:	flanged
Protection:	thermal
Options:	tachometer output or locked rotor alarm signal; encapsulated motor; PWM speed control

Model No.	Rated Voltage V	Current mA			Speed RPM	Air Volume		Max. Static Pressure (H <sub>2</sub> O)		Sound Noise dBa	Weight g
		5	12	24		M <sup>3</sup> /Min.	CFM	MM	INCH		
G9225S-G	5/12/24	220	90	60	1,200	0.67	24	0.70	0.03	19	86
G9225L-G	5/12/24	340	140	90	1,600	0.89	31	1.20	0.05	21	86
G9225M-G	5/12/24	480	200	120	2,000	1.13	40	1.80	0.07	23	86
G9225H-G	12/24	-	280	160	2,400	1.35	48	2.50	0.10	26	86
G9225E-G	12/24	-	370	200	2,800	1.61	57	3.40	0.13	30	86
G9225X-G	12/24	-	490	290	3,200	1.87	66	4.38	0.17	34	86

## G9232 series



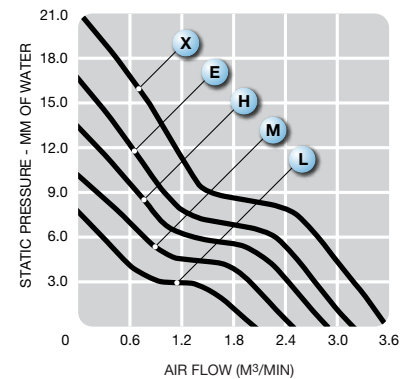
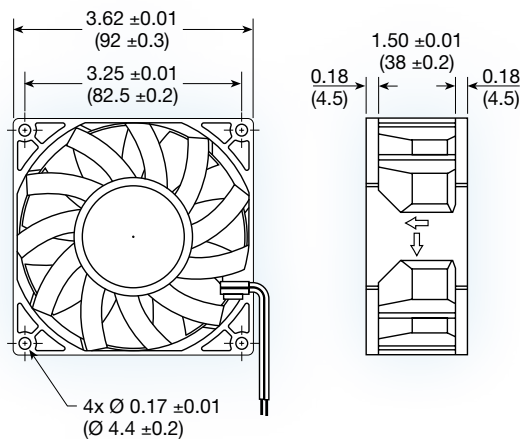
**(92 x 92 x 32 mm)**  
3.62 x 3.62 x 1.24 inches

Construction:	UL94V-0 PBT impeller & frame
Bearing option:	ball bearing
Connection:	AWG 24, UL1007 lead wires
Frame:	flanged
Protection:	thermal
Options:	tachometer output or locked rotor alarm signal; thermistor speed control; encapsulated motor; PWM speed control

Model No.	Rated Voltage V	Current mA			Speed RPM	Air Volume		Max. Static Pressure (H <sub>2</sub> O)		Sound Noise dbA	Weight g
		5	12	24		M <sup>3</sup> /Min.	CFM	MM	INCH		
G9232S	5/12/24	330	100	60	2,000	0.94	33	2.55	0.10	23	152
G9232L	5/12/24	480	170	90	2,400	1.13	40	3.47	0.14	28	152
G9232M	12/24	-	270	140	2,800	1.35	48	4.59	0.18	32	152
G9232H	12/24	-	360	200	3,200	1.56	55	6.02	0.24	35	152
G9232E	12/24	-	520	270	3,600	1.71	60	7.14	0.28	38	152
G9232X	12/24	-	680	360	4,000	1.92	68	8.25	0.33	44	152

## MD9238 series

HIGH PERFORMANCE

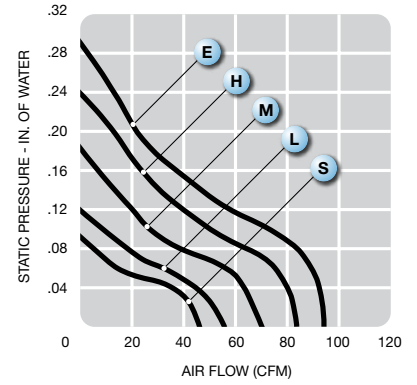
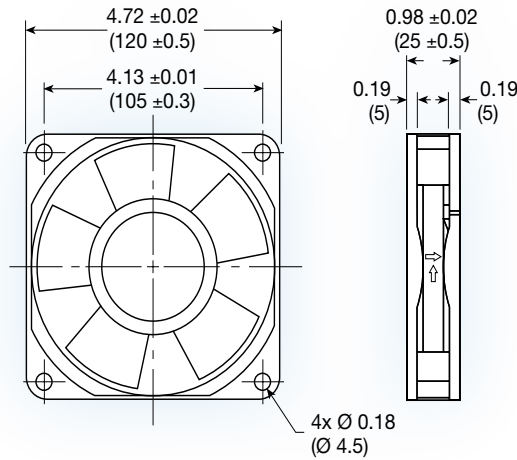


**(92 x 92 x 38 mm)**  
3.62 x 3.62 x 1.5 inches

Construction:	UL94V-0 PBT impeller & frame
Bearing option:	ball bearing
Connection:	AWG 24, UL1007 lead wires
Frame:	flanged
Protection:	thermal
Options:	tachometer output or locked rotor alarm signal; PWM speed control

Model No.	Rated Voltage V	Current mA			Speed RPM	Air Volume		Max. Static Pressure (H <sub>2</sub> O)		Sound Noise dbA	Weight g
		12	24	48		M <sup>3</sup> /Min.	CFM	MM	INCH		
MD9238L	12/24/48	360	190	100	3,200	2.01	71.06	7.86	0.31	44.5	180
MD9238M	12/24/48	580	300	150	3,800	2.46	86.85	10.24	0.40	50.0	180
MD9238H	12/24/48	880	450	220	4,400	2.85	100.69	15.30	0.60	53.5	180
MD9238E	12/24	1000	500	-	4,800	3.13	110.56	16.93	0.67	55.0	180
MD9238X	24	-	700	-	5,400	3.50	123.57	21.39	0.84	58.4	180

# E1225 series



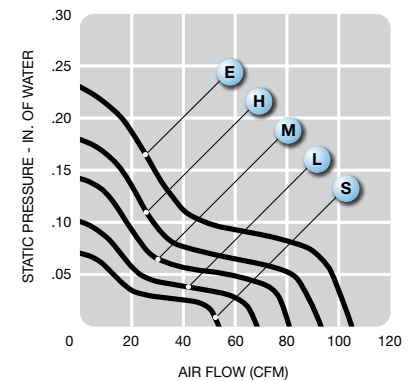
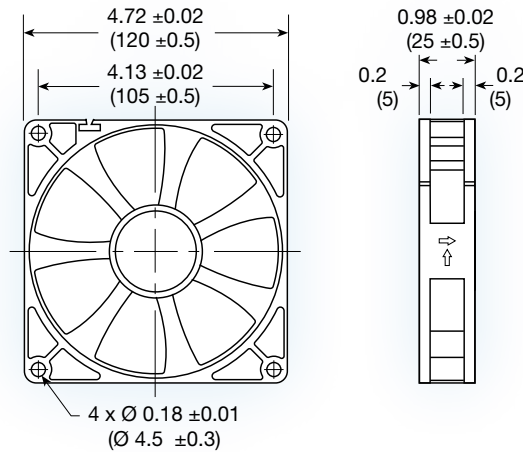
**(120 x 120 x 25 mm)**  
 4.72 x 4.72 x 0.98 inches

Construction:	UL94V-0 PBT impeller & frame
Bearing option:	ball bearing or sleeve
Connection:	terminal or AWG24, UL1007 lead wires
Frame:	flanged
Protection:	thermal
Options:	tachometer output or locked rotor alarm signal; thermistor control; PWM speed control

Model No.	Rated Voltage V	Current mA				Speed RPM	Air Volume		Max. Static Pressure (H <sub>2</sub> O)		Sound Noise		Weight g
		5	12	24	48		M <sup>3</sup> /Min.	CFM	MM	INCH	dbA	g	
E1225S	5/12/24	220	100	85	-	1,400	1.24	44	2.25	0.09	28	197	
E1225L	5/12/24	340	142	95	-	1,800	1.55	55	3.00	0.12	32	197	
E1225M	5/12/24/48	600	245	160	80	2,200	1.89	67	4.50	0.18	36	197	
E1225H	12/24/48	-	385	240	120	2,600	2.32	82	6.00	0.24	40	197	
E1225E	12/24/48	-	580	340	170	3,000	2.63	93	7.00	0.28	44	197	

# G1225 series

**LOW NOISE**

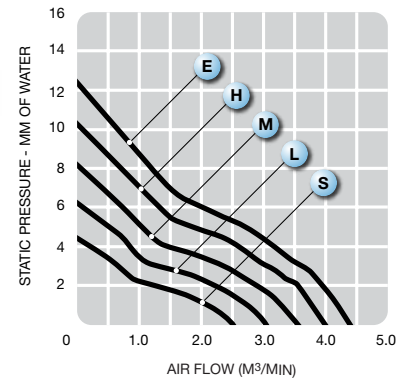
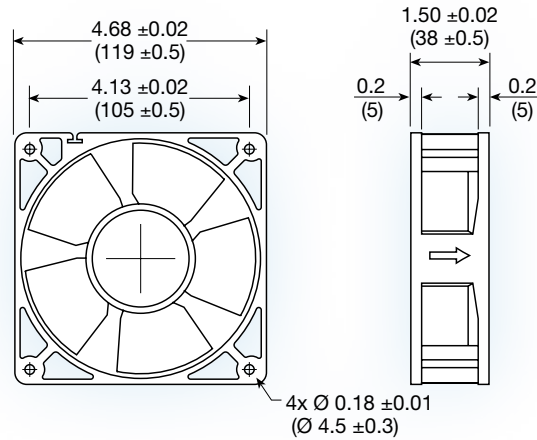


**(120 x 120 x 25 mm)**  
 4.72 x 4.72 x 0.98 inches

Construction:	UL94V-0 PBT impeller & frame
Bearing option:	ball bearing
Connection:	AWG 24, UL1007 lead wires
Frame:	flanged
Protection:	thermal
Options:	tachometer output or locked rotor alarm signal; thermistor control; encapsulated motor; PWM speed control

Model No.	Rated Voltage V	Current mA			Speed RPM	Air Volume		Max. Static Pressure (H <sub>2</sub> O)		Sound Noise		Weight g
		5	12	24		M <sup>3</sup> /Min.	CFM	MM	INCH	dbA	g	
G1225S	5/12/24	400	130	70	1,500	1.52	54	1.90	0.07	26	197	
G1225L	5/12/24	620	230	120	1,800	1.87	66	2.60	0.10	29	197	
G1225M	12/24	-	350	190	2,100	2.20	78	3.70	0.15	33	197	
G1225H	12/24	-	480	270	2,400	2.46	87	4.50	0.18	38	197	
G1225E	12/24	-	720	380	2,700	2.79	99	5.50	0.22	42	197	

## G1238 series



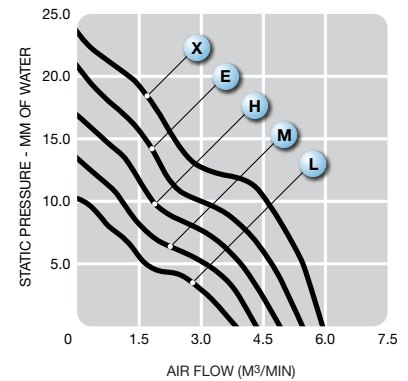
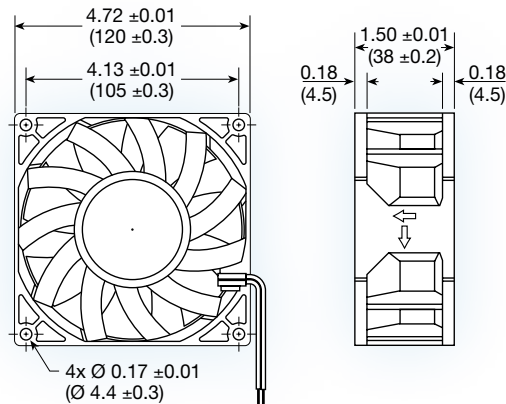
**(120 x 120 x 38 mm)**

4.69 x 4.69 x 1.5 inches

Construction:	UL94V-0 PBT impeller & frame
Bearing option:	ball bearing
Connection:	AWG 24, UL1007 lead wires
Frame:	flanged
Protection:	thermal
Options:	tachometer output or locked rotor alarm signal; encapsulated motor; PWM speed control

Model No.	Rated Voltage V	Current mA			Speed RPM	Air Volume		Max. Static Pressure (H <sub>2</sub> O)		Sound Noise dBa	Weight g
		12	24	48		M <sup>3</sup> /Min.	CFM	MM	INCH		
G1238S	12/24/48	250	180	80	2,000	2.50	88	4.39	0.17	34	336
G1238L	12/24/48	400	250	130	2,400	3.03	107	6.22	0.24	38	336
G1238M	12/24/48	600	330	180	2,800	3.54	125	8.16	0.32	43	336
G1238H	12/24/48	750	450	250	3,200	3.99	141	10.31	0.41	46	336
G1238E	12/24/48	1200	600	330	3,600	4.46	158	12.45	0.49	49	336

## MD1238 series



**(120 x 120 x 38 mm)**

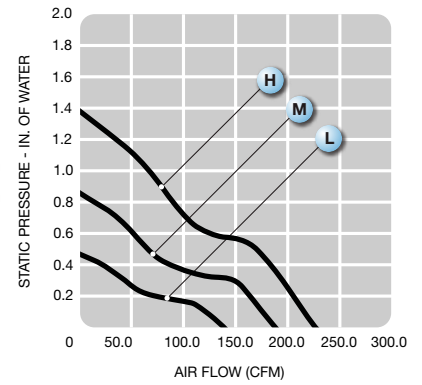
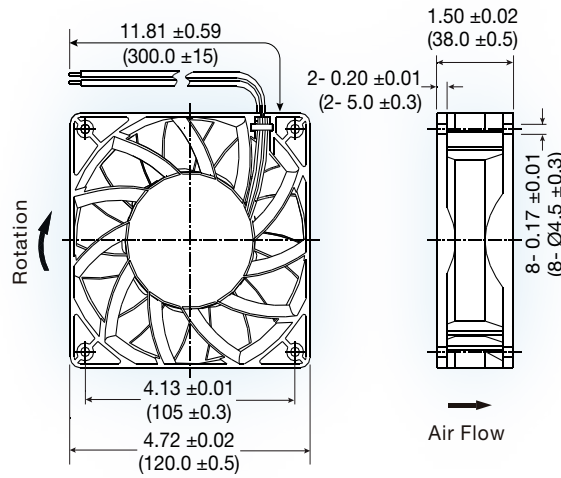
4.72 x 4.72 x 1.5 inches

Construction:	UL94V-0 PBT impeller & frame
Bearing option:	ball bearing
Connection:	AWG 24, UL1007 lead wires
Frame:	flanged
Protection:	thermal
Options:	tachometer output or locked rotor alarm signal; PWM speed control

Model No.	Rated Voltage V	Current mA			Speed RPM	Air Volume		Max. Static Pressure (H <sub>2</sub> O)		Sound Noise dBa	Weight g
		12	24	48		M <sup>3</sup> /Min.	CFM	MM	INCH		
MD1238L	12/24	850	480	-	3,000	3.90	137	10.4	0.42	52.0	411
MD1238M	12/24	1200	660	-	3,400	4.42	155	13.4	0.54	54.5	411
MD1238H	12/24	1600	800	-	3,800	4.92	174	16.7	0.67	57.8	411
MD1238E	12/24/48	2100	1100	460	4,200	5.43	192	20.4	0.82	59.0	411
MD1238X	12/24/48	2500	1300	850	4,500	5.82	205	23.4	0.94	62.0	411

# MQ1238 series

## HIGH PRESSURE



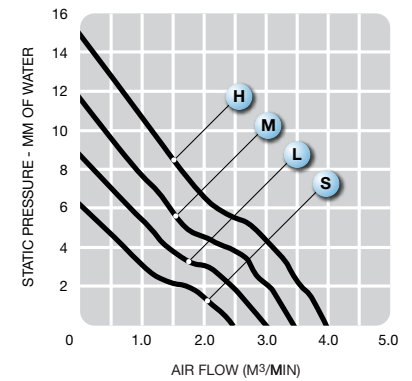
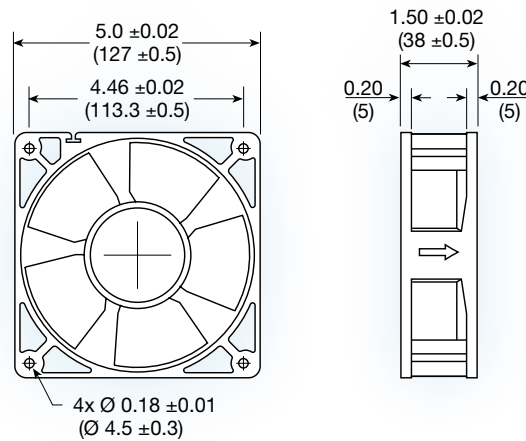
**(120 x 120 x 38 mm)**  
4.72 x 4.72 x 1.5 inches

- Construction: UL94V-0 PBT impeller & frame
- Bearing option: ball bearing
- Connection: AWG 22, UL1007 lead wires
- Frame: flanged
- Protection: thermal
- Options: tachometer output or locked rotor alarm signal; PWM speed control

Model No.	Rated Voltage V	Current mA			Speed RPM	Air Volume		Max. Static Pressure (H <sub>2</sub> O)		Sound Noise dB <sub>A</sub>	Weight g
		12	24	48		M <sup>3</sup> /Min.	CFM	MM	INCH		
MQ1238L	12/24/48	1500	600	380	3,000	3.95	139.80	11.9	0.47	52	350
MQ1238M	12/24/48	2000	1100	600	4,000	5.34	188.60	21.6	0.85	59	350
MQ1238H	12/24/48	3600	1700	1000	5,000	6.40	226.00	34.4	1.35	65	350

TOC

# G1338 series

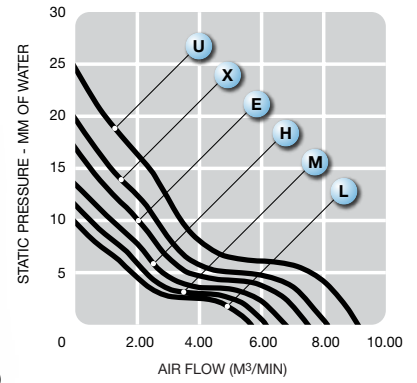
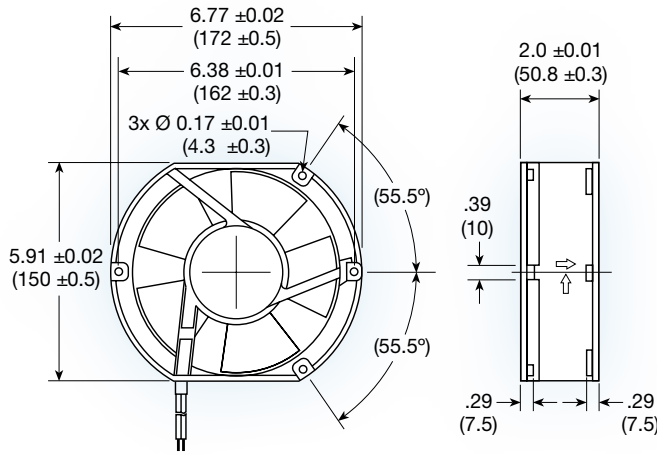


**(127 x 127 x 38 mm)**  
5 x 5 x 1.5 inches

- Construction: UL94V-0 PBT impeller & frame
- Bearing option: ball bearing
- Connection: AWG 24, UL1007 lead wires
- Frame: flanged
- Protection: thermal
- Options: tachometer output or locked rotor alarm signal

Model No.	Rated Voltage V	Current mA			Speed RPM	Air Volume		Max. Static Pressure (H <sub>2</sub> O)		Sound Noise dB <sub>A</sub>	Weight g
		12	24	48		M <sup>3</sup> /Min.	CFM	MM	INCH		
G1338S	12/24/48	350	220	130	2,000	2.46	87	6.22	0.24	37	355
G1338L	12/24/48	550	330	180	2,400	3.00	106	8.77	0.35	42	355
G1338M	12/24/48	850	480	250	2,800	3.46	122	11.73	0.46	46	355
G1338H	12/24/48	1200	650	330	3,200	3.99	141	15.10	0.59	49	355

# MA1751 series



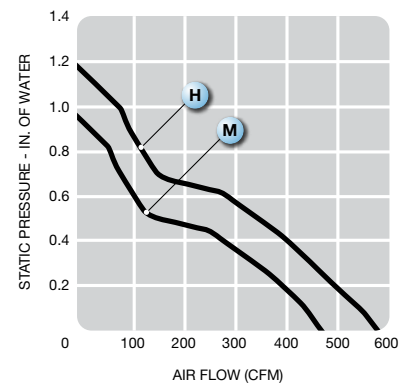
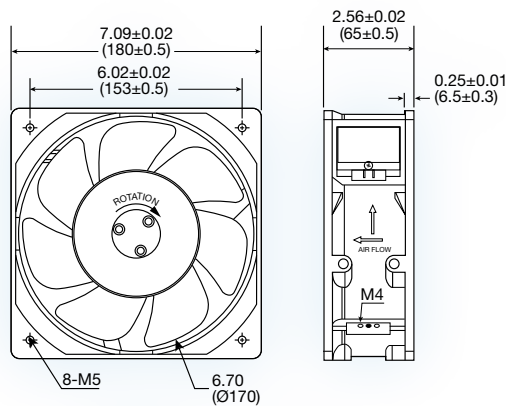
**(172 x 150 x 50.8 mm)**

6.77 x 5.91 x 2.0 inches

<b>Features:</b>	<b>soft start function</b>
<b>Construction:</b>	die-cast aluminum frame; UL94V-0 PBT impeller
<b>Bearing option:</b>	ball bearing
<b>Connection:</b>	AWG 22, UL1007 lead wires
<b>Frame:</b>	flanged
<b>Protection:</b>	thermal
<b>Options:</b>	tachometer output or locked rotor alarm signal; PWM speed control

Model No.	Rated Voltage V	Current mA			Speed RPM	Air Volume		Max. Static Pressure (H <sub>2</sub> O)		Sound Noise dBa	Weight g
		12	24	48		M <sup>3</sup> /Min.	CFM	MM	INCH		
MA1751L	12/24/48	1100	480	250	2,400	5.81	205.1	9.83	0.39	54.5	760
MA1751M	12/24/48	1400	570	310	2,600	6.29	222.2	11.54	0.46	56.6	760
MA1751H	12/24/48	1800	770	380	2,850	6.89	243.6	13.86	0.55	58.4	760
MA1751E	12/24/48	2200	980	550	3,150	7.62	269.2	16.93	0.67	61.0	760
MA1751X	24/48	-	1200	730	3,400	8.23	290.6	19.73	0.78	63.0	760
MA1751U	48	-	-	900	3,800	9.20	324.8	24.64	0.98	66.2	760

# MM1865 series



**(180 x 180 x 65 mm)**

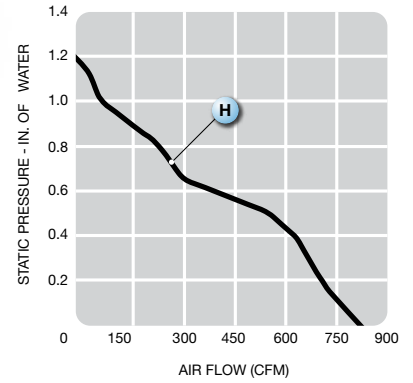
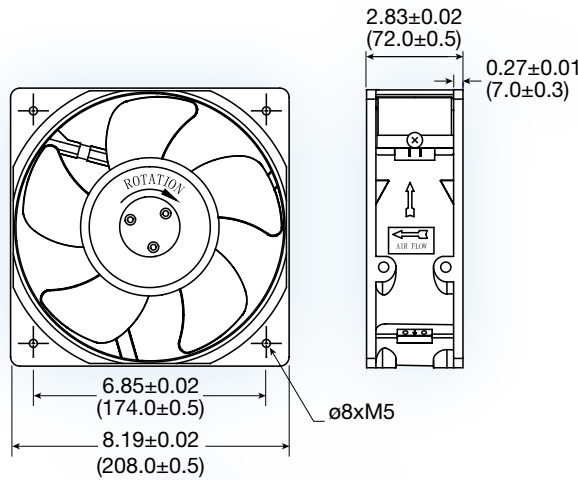
7.09 x 7.09 x 2.56 inches

<b>Construction:</b>	magnesium alloy impeller & frame
<b>Bearing option:</b>	ball bearing
<b>Connection:</b>	terminal or AWG 18 lead wire
<b>Frame:</b>	flanged
<b>Protection:</b>	thermal
<b>Options:</b>	tachometer output or locked rotor alarm signal

Model No.	Rated Voltage V	Current mA		Speed RPM	Air Volume		Max. Static Pressure (H <sub>2</sub> O)		Sound Noise dBa	Weight kg
		24	48		M <sup>3</sup> /Min.	CFM	MM	INCH		
MM1865M	24/48	2100	1000	3,200	13	465	25.40	0.96	59	1.55
MM1865H	24/48	3900	1700	4,000	16	580	30.48	1.2	65	1.55

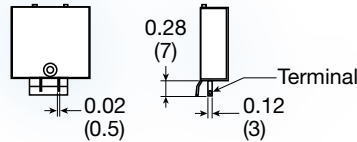


# MM2072 series



**(208 x 208x 72 mm)**  
8.19 x 8.19 x 2.83 inches

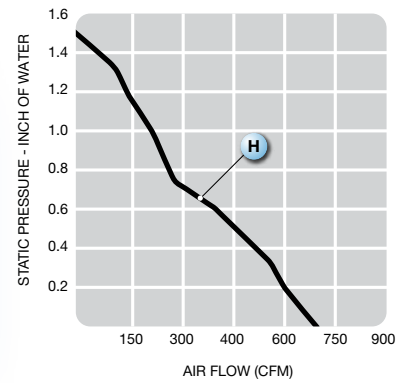
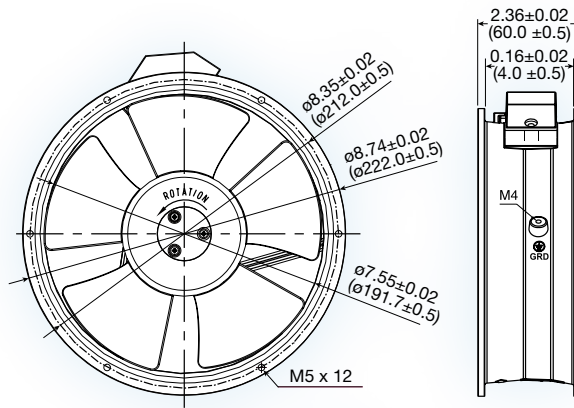
- Construction: magnesium alloy impeller & frame
- Bearing option: ball bearing
- Connection: terminal or AWG 18 lead wire
- Frame: flanged
- Protection: thermal
- Options: tachometer output or locked rotor alarm signal



Model No.	Rated Voltage V	Current mA		Speed RPM	Air Volume		Max. Static Pressure (H <sub>2</sub> O)		Sound Noise dBa	Weight kg
		24	48		M <sup>3</sup> /Min.	CFM	MM	INCH		
<b>MM2072H</b>	24/48	5000	2800	3,600	23	825	30.48	1.2	65	1.55

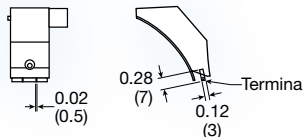
TOC

# MM2260 series



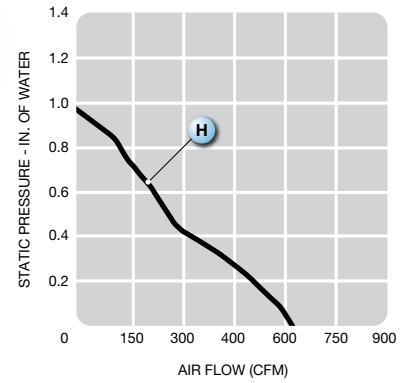
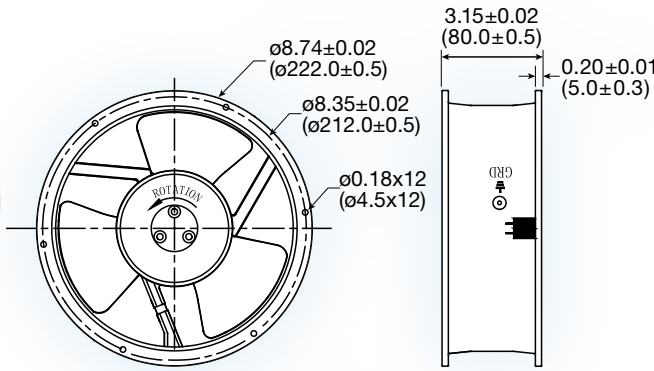
**(222 dia. x 60 mm)**  
8.74 dia. x 2.36 inches

- Construction: magnesium alloy impeller & frame
- Bearing option: ball bearing
- Connection: terminal or AWG 18 lead wire
- Frame: flanged
- Protection: thermal
- Options: tachometer output or locked rotor alarm signal



Model No.	Rated Voltage V	Current mA		Speed RPM	Air Volume		Max. Static Pressure (H <sub>2</sub> O)		Sound Noise dBa	Weight kg
		24	48		M <sup>3</sup> /Min.	CFM	MM	INCH		
<b>MM2260H</b>	24/48	3000	1700	4,000	19	690	38.10	1.5	67	1.4

## MM2280 series



**(222 dia. x 80 mm)**

8.74 dia. x 3.15 inches

Construction: magnesium alloy impeller & frame

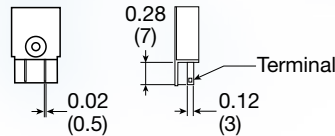
Bearing option: ball bearing

Connection: terminal or AWG 18 lead wire

Frame: flanged

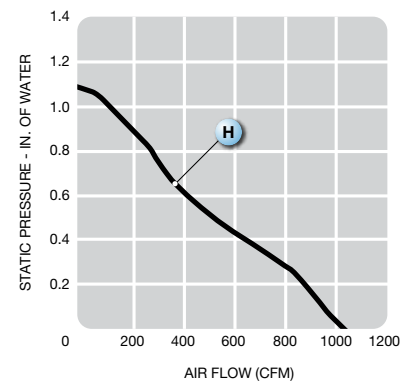
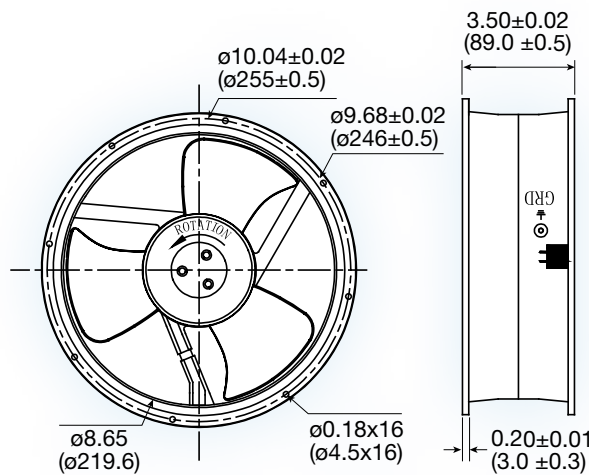
Protection: thermal

Options: tachometer output or locked rotor alarm signal



Model No.	Rated Voltage V	Current mA		Speed RPM	Air Volume		Max. Static Pressure (H <sub>2</sub> O)		Sound Noise dB <sub>A</sub>	Weight kg
		24	48		M <sup>3</sup> /Min.	CFM	MM	INCH		
MM2280H	24/48	2500	1400	3,000	18	625	24.64	0.97	60	1.55

## MM2589 series



**(255 dia. x 89 mm)**

10.04 dia. x 3.50 inches

Construction: magnesium alloy impeller & frame

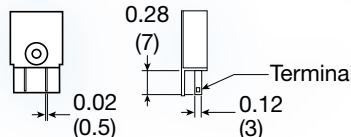
Bearing option: ball bearing

Connection: terminal or AWG 18 lead wire

Frame: flanged

Protection: thermal

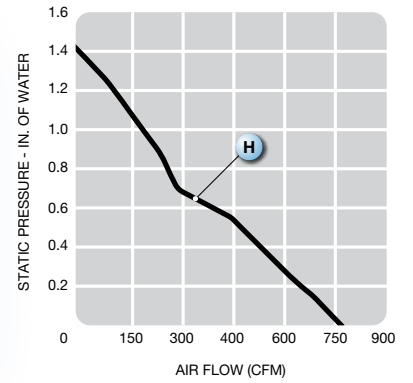
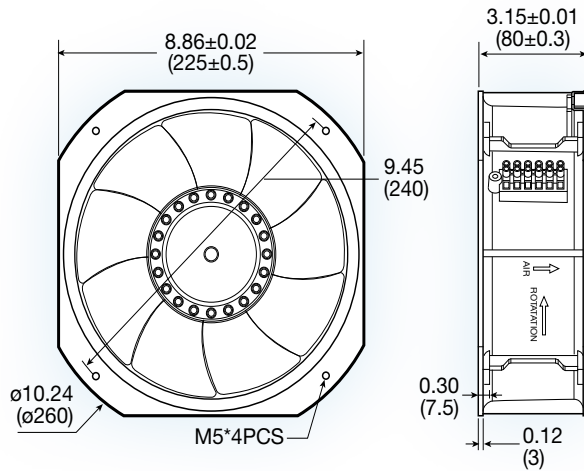
Options: tachometer output or locked rotor alarm signal



Model No.	Rated Voltage V	Current mA		Speed RPM	Air Volume		Max. Static Pressure (H <sub>2</sub> O)		Sound Noise dB <sub>A</sub>	Weight kg
		24	48		M <sup>3</sup> /Min.	CFM	MM	INCH		
MM2589H	24/48	5200	2700	3,000	29	1030	27.94	1.1	60	1.60



# MM22580H series



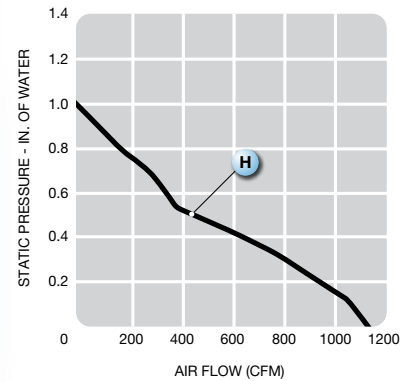
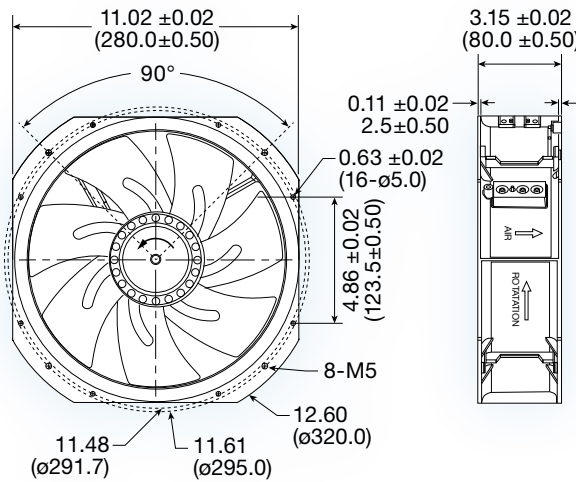
**(225 x 225 x 80 mm)**  
8.86 x 8.86 x 3.15 inches

- Construction: magnesium alloy impeller & frame
- Bearing option: ball bearing
- Connection: terminal
- Frame: flanged
- Protection: thermal
- Options: tachometer output or locked rotor alarm signal

Model No.	Rated Voltage V	Current mA		Speed RPM	Air Volume		Max. Static Pressure (H <sub>2</sub> O)		Sound Noise dBa	Weight kg
		24	48		M <sup>3</sup> /Min.	CFM	MM	INCH		
<b>MM22580H</b>	24/48	4200	2100	3,600	21	755	35.56	1.4	65	1.60

TOC

# MM28080H series

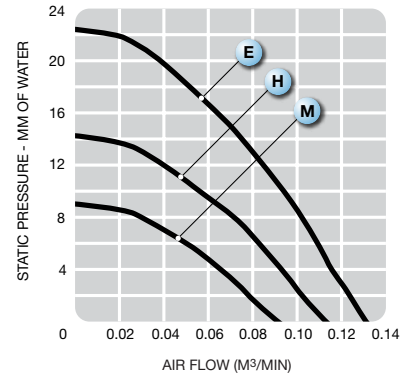
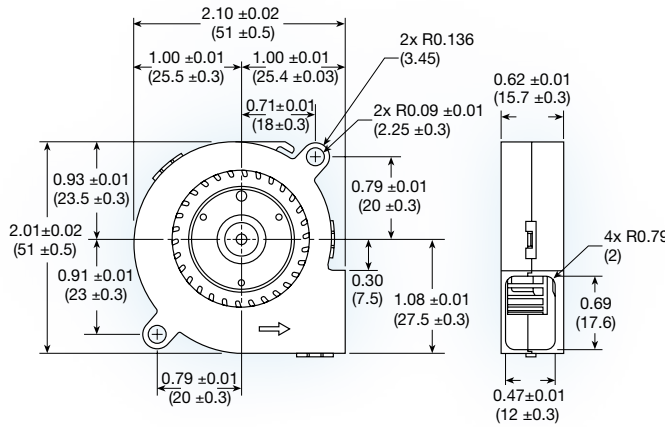


**(280 dia. x 80 mm)**  
11.02 dia. x 3.15 inches

- Construction: magnesium alloy impeller & frame
- Bearing option: ball bearing
- Connection: terminal
- Frame: flanged
- Protection: thermal
- Options: tachometer output or locked rotor alarm signal

Model No.	Rated Voltage V	Current mA		Speed RPM	Air Volume		Max. Static Pressure (H <sub>2</sub> O)		Sound Noise dBa	Weight kg
		24	48		M <sup>3</sup> /Min.	CFM	MM	INCH		
<b>MM28080H</b>	24/48	5200	2600	3,000	32	1130	25.40	1.0	65	1.60

# B5015 series

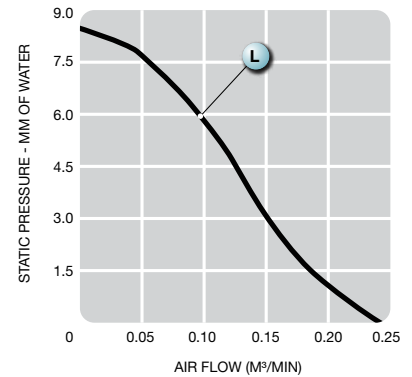
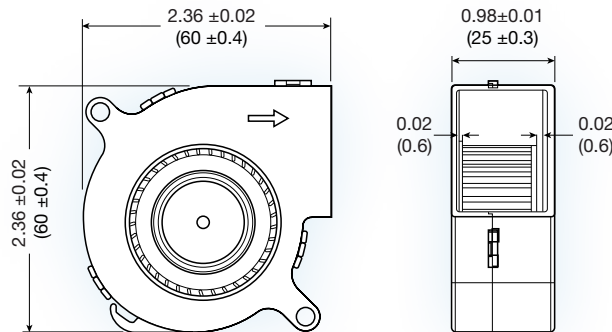


**(51 x 51 x 15 mm)**  
2.01 x 2.01 x .62 inches

- Construction: UL94V-0 PBT impeller & frame
- Bearing option: ball bearing
- Connection: AWG 26, UL1061 lead wires
- Protection: thermal
- Options: tachometer output signal

Model No.	Rated Voltage V	Current mA			Speed RPM	Air Volume		Max. Static Pressure (H <sub>2</sub> O)		Sound Noise db	Weight g
		5	12	24		M³/Min.	CFM	MM	INCH		
B5015M	5/12/24	280	130	90	4,500	0.09	3	8.98	0.35	35	25
B5015H	5/12/24	400	200	130	5,500	0.11	4	14.28	0.56	40	25
B5015E	12/24	-	300	180	6,500	0.13	5	22.45	0.88	45	25

# B6025 series



**(60 x 60 x 25 mm)**  
2.36 x 2.36 x 0.98 inches

- Construction: UL94V-0 PBT impeller & frame
- Bearing option: ball bearing or fluid dynamic bearing
- Connection: lead wires
- Protection: thermal
- Options: tachometer output or locked rotor alarm signal

Model No.	Rated Voltage V	Current mA	Speed RPM	Air Volume		Max. Static Pressure (H <sub>2</sub> O)		Sound Noise dbA	Weight g
				M³/Min.	CFM	MM	INCH		
B6025L	12	240	4,000	0.24	8.47	8.30	0.32	40	44