



Chipsmall Limited consists of a professional team with an average of over 10 year of expertise in the distribution of electronic components. Based in Hongkong, we have already established firm and mutual-benefit business relationships with customers from,Europe,America and south Asia,supplying obsolete and hard-to-find components to meet their specific needs.

With the principle of "Quality Parts,Customers Priority,Honest Operation,and Considerate Service",our business mainly focus on the distribution of electronic components. Line cards we deal with include Microchip,ALPS,ROHM,Xilinx,Pulse,ON,Everlight and Freescale. Main products comprise IC,Modules,Potentiometer,IC Socket,Relay,Connector.Our parts cover such applications as commercial,industrial, and automotives areas.

We are looking forward to setting up business relationship with you and hope to provide you with the best service and solution. Let us make a better world for our industry!



Contact us

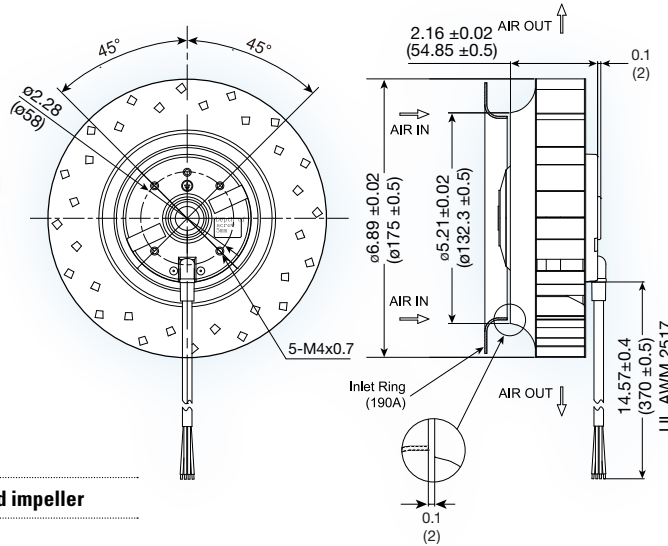
Tel: +86-755-8981 8866 Fax: +86-755-8427 6832

Email & Skype: info@chipsmall.com Web: www.chipsmall.com

Address: A1208, Overseas Decoration Building, #122 Zhenhua RD., Futian, Shenzhen, China



UF175AMA series



(175 dia. x 55 mm)
6.89 dia. x 2.16 inches

Features: backward curved impeller

Operating voltage: 115 or 230 VAC

Construction: aluminum die cast motor base;
steel impeller

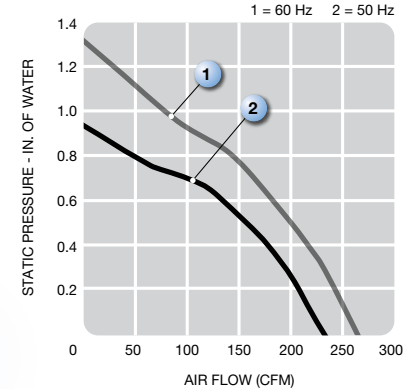
Bearing option: ball bearing

Motor: permanent split capacitor
required capacitor included

Air Flow: centrifugal

Connection: 22 AWG lead wires

Protection: thermal



Model No.	Rated Voltage V	Freq. HZ	Input Power W	Rated Cur. A	Locked Cur. A	Speed RPM	Air Volume		Max. Static Pressure (H ₂ O)		Sound Noise dBa	Weight kg
							M ³ /Min.	CFM	MM	INCH		
UF175AMA12-H1C2A	115	50	60	0.55	0.82	2,550	6.5	230	23	0.9	66	1.3
	115	60	66	0.55	0.84	2,900	7.5	265	33	1.3	70	1.3
UF175AMA23-H1C2A	230	50	60	0.27	0.41	2,550	6.5	230	23	0.9	66	1.3
	230	60	66	0.28	0.42	2,900	7.5	265	33	1.3	70	1.3

