



Chipsmall Limited consists of a professional team with an average of over 10 year of expertise in the distribution of electronic components. Based in Hongkong, we have already established firm and mutual-benefit business relationships with customers from,Europe,America and south Asia,supplying obsolete and hard-to-find components to meet their specific needs.

With the principle of “Quality Parts,Customers Priority,Honest Operation,and Considerate Service”,our business mainly focus on the distribution of electronic components. Line cards we deal with include Microchip,ALPS,ROHM,Xilinx,Pulse,ON,Everlight and Freescale. Main products comprise IC,Modules,Potentiometer,IC Socket,Relay,Connector.Our parts cover such applications as commercial,industrial, and automotives areas.

We are looking forward to setting up business relationship with you and hope to provide you with the best service and solution. Let us make a better world for our industry!



Contact us

Tel: +86-755-8981 8866 Fax: +86-755-8427 6832

Email & Skype: info@chipsmall.com Web: www.chipsmall.com

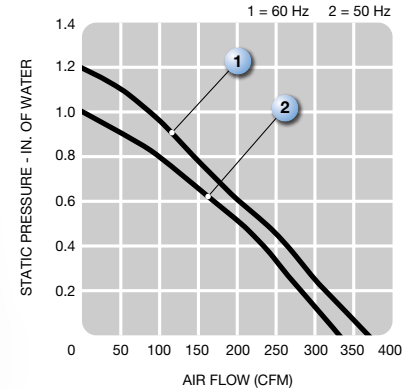
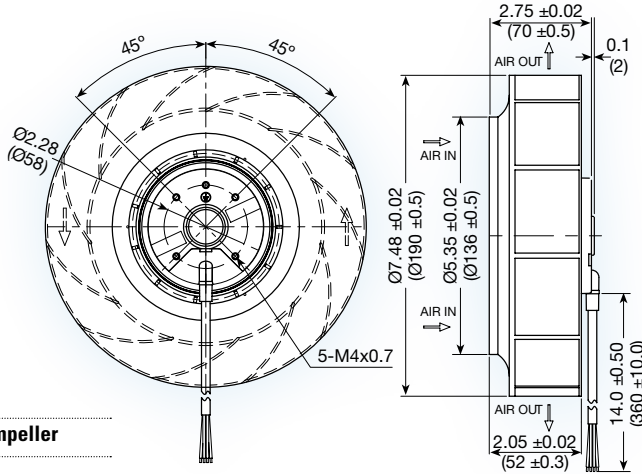
Address: A1208, Overseas Decoration Building, #122 Zhenhua RD., Futian, Shenzhen, China



UF190APA series



(190 dia. x 70 mm)
7.48 dia. x 2.75 inches



Features:	backward curved impeller
Operating voltage:	115 or 230 VAC
Operating temp.	-40° ~ 50°C
Construction:	aluminum die cast motor base; UL94V-0 reinforced nylon impeller
Bearing option:	ball bearing
Motor:	permanent split capacitor required capacitor included
Air Flow:	centrifugal
Connection:	22 AWG lead wires
Protection:	thermal
Option:	tachometer output

Model No.	Rated Voltage V	Freq. HZ	Input Power W	Rated Cur. A	Locked Cur. A	Speed RPM	Air Volume		Max. Static Pressure (H ₂ O)		Sound Noise dba	Weight kg
							M ³ /Min.	CFM	MM	INCH		
UF190APA12-H1C2A	115	50	55	0.45	0.92	2,500	9.5	335	25	1.0	60	1.2
	115	60	65	0.54	0.91	2,700	10.4	370	30	1.2	63	1.2
UF190APA23-H1C2A	230	50	57	0.23	0.43	2,500	9.5	335	25	1.0	60	1.2
	230	60	72	0.30	0.45	2,700	10.4	370	30	1.2	63	1.2

