



Chipsmall Limited consists of a professional team with an average of over 10 year of expertise in the distribution of electronic components. Based in Hongkong, we have already established firm and mutual-benefit business relationships with customers from,Europe,America and south Asia,supplying obsolete and hard-to-find components to meet their specific needs.

With the principle of “Quality Parts,Customers Priority,Honest Operation,and Considerate Service”,our business mainly focus on the distribution of electronic components. Line cards we deal with include Microchip,ALPS,ROHM,Xilinx,Pulse,ON,Everlight and Freescale. Main products comprise IC,Modules,Potentiometer,IC Socket,Relay,Connector.Our parts cover such applications as commercial,industrial, and automotives areas.

We are looking forward to setting up business relationship with you and hope to provide you with the best service and solution. Let us make a better world for our industry!



Contact us

Tel: +86-755-8981 8866 Fax: +86-755-8427 6832

Email & Skype: info@chipsmall.com Web: www.chipsmall.com

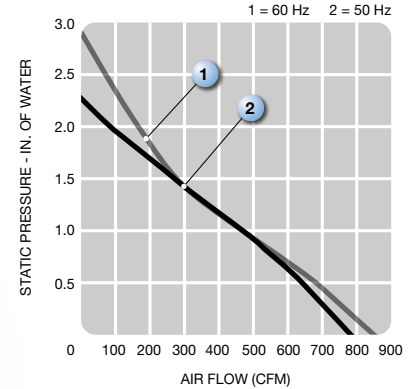
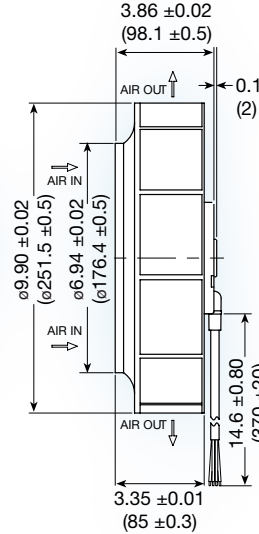
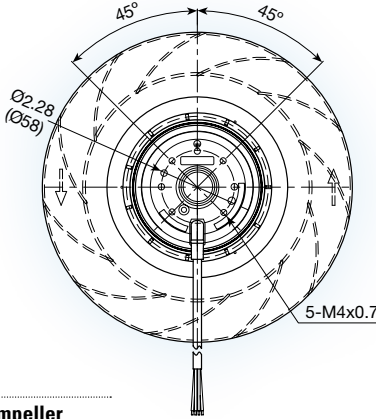
Address: A1208, Overseas Decoration Building, #122 Zhenhua RD., Futian, Shenzhen, China



UF250APA series



(251 dia. x 98 mm)
9.90 dia. x 3.86 inches



Features:	backward curved impeller
Operating voltage:	115 or 230 VAC
Operating temp.	-40° ~ 50°C
Construction:	aluminum die cast motor base; UL94V-0 reinforced nylon impeller
Bearing option:	ball bearing
Motor:	permanent split capacitor required capacitor included
Air Flow:	centrifugal
Connection:	AWM 2517 lead wires
Protection:	thermal

Model No.	Rated Voltage V	Freq. HZ	Input Power W	Rated Cur. A	Locked Cur. A	Speed RPM	Air Volume		Max. Static Pressure (H2O)		Sound Noise dBa	Weight kg
							M ³ /Min.	CFM	MM	INCH		
UF250APA12-H1C2A	115	50	170	1.50	3.10	2,600	22	770	56	2.2	75	3.1
	115	60	240	2.10	3.00	2,700	24	850	74	2.9	76	3.1
UF250APA12-H1C2A	230	50	170	0.77	1.57	2,600	22	770	56	2.2	75	3.1
	230	60	240	1.00	1.52	2,700	24	850	74	2.9	76	3.1

