



Chipsmall Limited consists of a professional team with an average of over 10 year of expertise in the distribution of electronic components. Based in Hongkong, we have already established firm and mutual-benefit business relationships with customers from,Europe,America and south Asia,supplying obsolete and hard-to-find components to meet their specific needs.

With the principle of “Quality Parts,Customers Priority,Honest Operation,and Considerate Service”,our business mainly focus on the distribution of electronic components. Line cards we deal with include Microchip,ALPS,ROHM,Xilinx,Pulse,ON,Everlight and Freescale. Main products comprise IC,Modules,Potentiometer,IC Socket,Relay,Connector.Our parts cover such applications as commercial,industrial, and automotives areas.

We are looking forward to setting up business relationship with you and hope to provide you with the best service and solution. Let us make a better world for our industry!



## Contact us

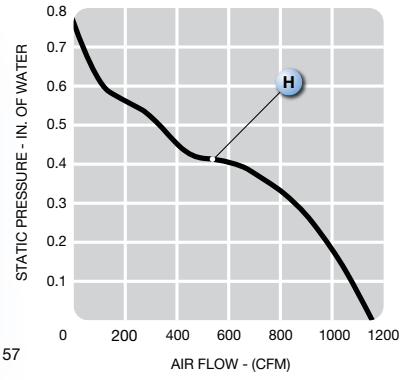
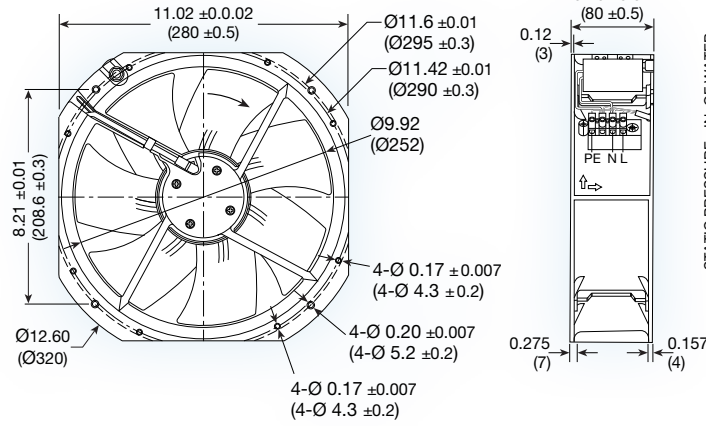
Tel: +86-755-8981 8866 Fax: +86-755-8427 6832

Email & Skype: info@chipsmall.com Web: www.chipsmall.com

Address: A1208, Overseas Decoration Building, #122 Zhenhua RD., Futian, Shenzhen, China



# UF250BMB-H1 series

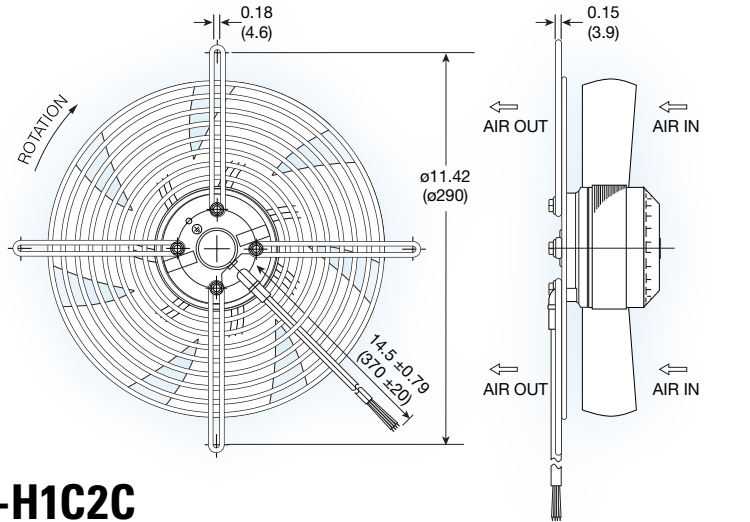


**(280 x 280 x 80 mm)**  
11.02 x 11.02 x 3.15 inches

- Features:** -20° ~ 70°C operating temperature range
- Operating voltage:** 115 or 230 VAC
- Construction:** metal frame and impeller
- Bearing option:** ball bearing with high temp lubricant
- Motor:** permanent split capacitor - Class F insulation
- Air Flow:** exhaust over struts
- Connection:** terminal
- Protection:** thermal
- Option:** tachometer output

Model No.	Rated Voltage V	Freq. HZ	Input Power W	Rated Cur. A	Locked Cur. A	Speed RPM	Air Volume		Max. Static Pressure (H <sub>2</sub> O)		Sound Noise dB(A)	Weight kg
							M <sup>3</sup> /Min.	CFM	MM	INCH		
UF250BMB12-H1	115	60	148	1.50	1.90	2,700	32	1130	20	0.78	70	2.80
UF250BMB23-H1	230	60	158	0.82	0.91	2,700	32	1130	20	0.78	70	2.80

## -H1C2B (With Guard/No Frame)



## -H1C2C (Without Frame or Guard)

