



Chipsmall Limited consists of a professional team with an average of over 10 year of expertise in the distribution of electronic components. Based in Hongkong, we have already established firm and mutual-benefit business relationships with customers from,Europe,America and south Asia,supplying obsolete and hard-to-find components to meet their specific needs.

With the principle of “Quality Parts,Customers Priority,Honest Operation,and Considerate Service”,our business mainly focus on the distribution of electronic components. Line cards we deal with include Microchip,ALPS,ROHM,Xilinx,Pulse,ON,Everlight and Freescale. Main products comprise IC,Modules,Potentiometer,IC Socket,Relay,Connector.Our parts cover such applications as commercial,industrial, and automotives areas.

We are looking forward to setting up business relationship with you and hope to provide you with the best service and solution. Let us make a better world for our industry!



Contact us

Tel: +86-755-8981 8866 Fax: +86-755-8427 6832

Email & Skype: info@chipsmall.com Web: www.chipsmall.com

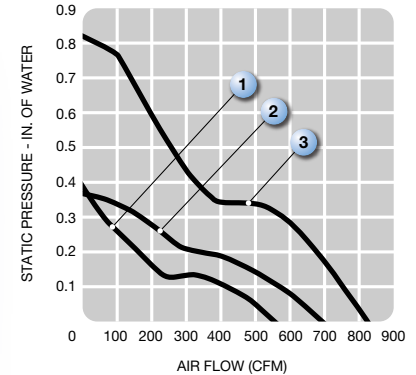
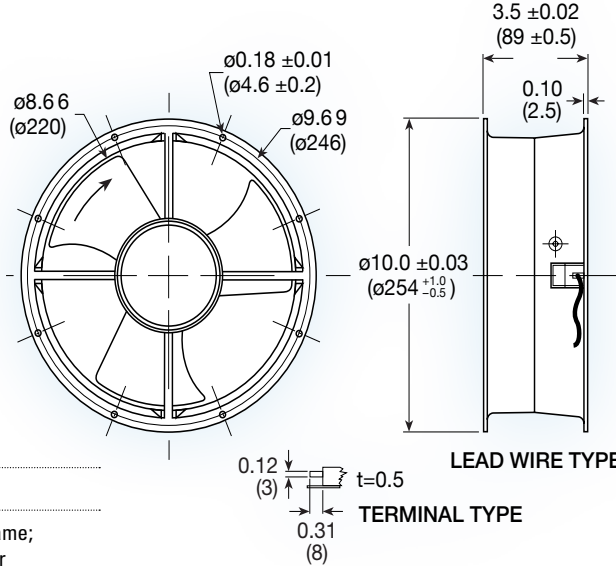
Address: A1208, Overseas Decoration Building, #122 Zhenhua RD., Futian, Shenzhen, China



UF25GC series



(254 dia. x 89 mm)
10.0 dia. x 3.5 inches



Operating voltage:	115 or 230 VAC
Construction:	aluminum die cast frame; UL94V-0 PBT impeller
Bearing option:	ball bearing
Motor:	permanent split capacitor
Air Flow:	exhaust over struts
Connection:	terminal or 22 AWG lead wires
Protection:	thermal
Options:	dual voltage 115/130VAC, IP55; IP55 + salt fog, tachometer output

Model No.	Rated Voltage V	Freq. HZ	Input Power W	Rated Cur. A	Locked Cur. A	Speed RPM	Air Volume		Max. Static Pressure (H ₂ O)		Sound Noise dba	Weight kg	Curve
							M ³ /Min.	CFM	MM	INCH			
UF25GC12-__H	115	60	33	0.29	0.51	1,650	15.5	550	10	0.40	55	1.90	1
UF25GC23-__H	230	60	33	0.14	0.25	1,650	15.5	550	10	0.40	55	1.90	1
UF25GCA12-__H	115	60	75	0.66	0.70	2,600	19.3	680	9.4	0.37	62	1.90	2
UF25GCA23-__H	230	60	75	0.35	0.36	2,600	19.3	680	9.4	0.37	62	1.90	2
UF25GCB12-__H	115	60	96	0.88	1.16	3200	23.0	812	20.7	0.82	65	2.30	3
UF25GCB23-__H	230	60	98	0.45	0.60	3200	23.0	812	20.7	0.82	65	2.30	3

