



Chipsmall Limited consists of a professional team with an average of over 10 year of expertise in the distribution of electronic components. Based in Hongkong, we have already established firm and mutual-benefit business relationships with customers from,Europe,America and south Asia,supplying obsolete and hard-to-find components to meet their specific needs.

With the principle of “Quality Parts,Customers Priority,Honest Operation,and Considerate Service”,our business mainly focus on the distribution of electronic components. Line cards we deal with include Microchip,ALPS,ROHM,Xilinx,Pulse,ON,Everlight and Freescale. Main products comprise IC,Modules,Potentiometer,IC Socket,Relay,Connector.Our parts cover such applications as commercial,industrial, and automotives areas.

We are looking forward to setting up business relationship with you and hope to provide you with the best service and solution. Let us make a better world for our industry!



## Contact us

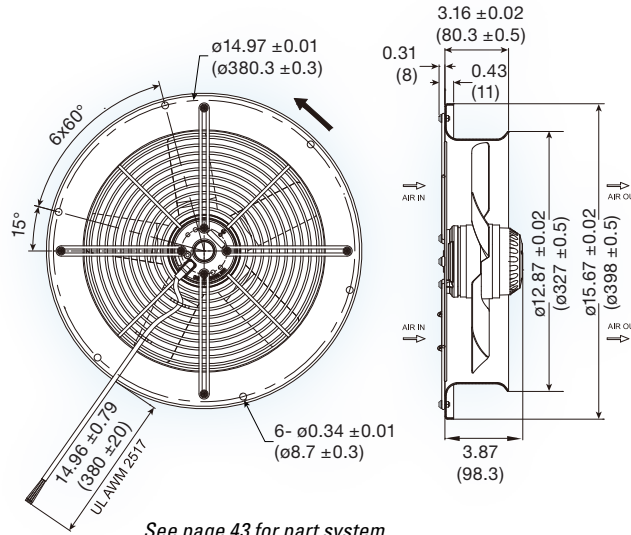
Tel: +86-755-8981 8866 Fax: +86-755-8427 6832

Email & Skype: info@chipsmall.com Web: www.chipsmall.com

Address: A1208, Overseas Decoration Building, #122 Zhenhua RD., Futian, Shenzhen, China

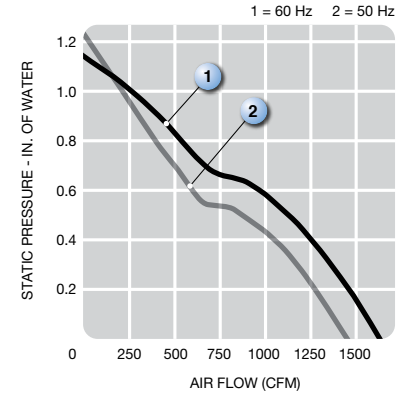


# UF300BNA series



**(398 dia. x 98.3 mm)**  
15.67 dia. x 3.87 inches

See page 43 for part system



Features:	forward curved impeller
Operating voltage:	115 or 230 VAC
Construction:	aluminum die cast motor base, steel frame and impeller
Bearing option:	ball bearing
Motor:	permanent split capacitor
Air Flow:	axial
Connection:	AWM 2517 lead wires

Model No.	Rated Voltage V	Freq. HZ	Input Power W	Rated Cur. A	Locked Cur. A	Speed RPM	Air Volume		Max. Static Pressure (H <sub>2</sub> O)		Sound Noise dbA	Weight kg
							M <sup>3</sup> /Min.	CFM	MM	INCH		
UF300BNA12-H1C2A	115	50	150	1.60	3.15	2,650	40.6	1435	31	1.2	75	4.5
	115	60	200	2.40	3.10	2,950	45.7	1615	29	1.1	78	4.5
UF300BNA23-H1C2A	230	50	150	0.90	1.60	2,650	40.6	1435	31	1.2	75	4.5
	230	60	200	1.20	1.56	2,950	45.7	1615	29	1.1	78	4.5

