



Chipsmall Limited consists of a professional team with an average of over 10 year of expertise in the distribution of electronic components. Based in Hongkong, we have already established firm and mutual-benefit business relationships with customers from,Europe,America and south Asia,supplying obsolete and hard-to-find components to meet their specific needs.

With the principle of “Quality Parts,Customers Priority,Honest Operation,and Considerate Service”,our business mainly focus on the distribution of electronic components. Line cards we deal with include Microchip,ALPS,ROHM,Xilinx,Pulse,ON,Everlight and Freescale. Main products comprise IC,Modules,Potentiometer,IC Socket,Relay,Connector.Our parts cover such applications as commercial,industrial, and automotives areas.

We are looking forward to setting up business relationship with you and hope to provide you with the best service and solution. Let us make a better world for our industry!



## Contact us

Tel: +86-755-8981 8866 Fax: +86-755-8427 6832

Email & Skype: info@chipsmall.com Web: www.chipsmall.com

Address: A1208, Overseas Decoration Building, #122 Zhenhua RD., Futian, Shenzhen, China





<b>Customer:</b>	<b>Rev. 0</b>
<b>Item: Brushless AC Fan</b>	<b>Page 1 of 5</b>
<b>Model: UF80A12/23-BWHR</b>	<b>Issue Date:</b>

**SPECIFICATIONS FOR APPROVAL**

Mechatronics is pleased to submit the following specifications for review. If these specifications are for a final approval, please sign, date, and return to:

Mechatronics  
 FAX (425) 222-5155  
 TEL (425) 222-5900

<b>Customer Approval</b>	<b>Authorized Signature</b>

<b>Customer:</b>	<b>Rev. 0</b>
<b>Item: Brushless AC Fan</b>	<b>Page: 2 of 5</b>
<b>Model: UF80A12/23-BWHR</b>	<b>Issue Date:</b>

## BRUSHLESS DC FAN SPECIFICATIONS

### 1. SCOPE

This specification applies to model: **UF80A12/23-BWHR**

### 2. STANDARD ENVIRONMENTAL CONDITIONS

Temperature 25°C and relative humidity 60%.

Operating temperature range and acceptable environment: 5 - 35°C and relative humidity 45 – 85%.

### 3. STRUCTURE AND FORM

3-1	Structure	Brushless AC fan motor
3-2	External	As per drawing
3-3	Housing	Die Cast Aluminum
3-4	Impeller	UL94V-0 PBT
3-5	Weight	0.28 kg
3-6	Bearing	2 Ball Bearing
3-7	Motor Insulation	Class B

### 4. RATING AND OPERATING CONDITIONS

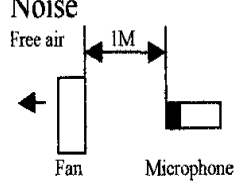
		50Hz	60Hz
4-1	Rated voltage	AC 115V / 230V	AC 115V / 230V
4-2	Rated current	0.14A / 0.07A	0.12A / 0.06A
4-3	Power	12W / 14W	9W / 12W
4-3	Operating voltage	103-127 VAC / 207-253 VAC	103-127 VAC / 207-253 VAC
4-4	Operating temperature	-40°C to +70°C	-40°C to +70°C
4-5	Storage temperature	-40°C to +70°C	-40°C to +70°C
4-6	Speed	2500 RPM	3000 RPM

<b>Customer:</b>	<b>Rev. 0</b>
<b>Item: Brushless AC Fan</b>	<b>Page 3 of 5</b>
<b>Model: UF80A12/23-BWHR</b>	<b>Issue Date:</b>

5. AIR FLOW, AIR PRESSURE CHARACTERISTICS

Item	Condition	Test Result 50Hz	Test Result 60Hz
5-1 Air flow	Air pressure = 0	24 CFM	30 CFM
5-2 Air flow/Air pressure characteristics	Air flow = 0	0.14 in H2O	0.21 in H2O

6. PERFORMANCE

	Item	Condition	Test Result/Standard
6-1	<p>Noise</p> 	As measured in a sound isolated room; background noise 20 dB or less; microphone distance 1 m from intake side of fan.	50Hz – 32dbA 60Hz – 36dbA
6-2	Dielectric Test	Measured between terminal and fan frame with AC 1500 v applied for one minute.	



MECHATRONICS INC.

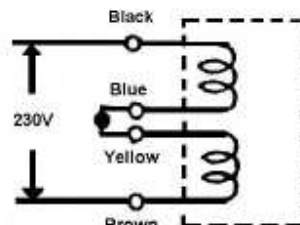
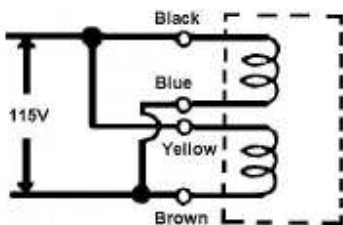
<b>Customer:</b>	<b>Rev. 0</b>
<b>Item: Brushless AC Fan</b>	<b>Page 4 of 5</b>
<b>Model: UF80A12/23-BWHR</b>	<b>Issue Date:</b>

7. SPECIAL TEST

7-1	Vibration resistance	5-30Hz, 0.04 peak-to-peak amplitude, 30-500Hz, 2g peak amplitude for 5 minutes to all three axes	Fan(s) meet performance standards
7-2	Shock resistance	60g, 11 millisecond (1/2 sine), twice to all three axes	Fan(s) meet performance standards
7-3	L10 Life	Expected mean endurance time until revolutions drop by 30% from the initial value - when run continuously within rated environmental conditions	60,000 hours at 40°C.
7-4	Rotor Resistance	With rotor restricted and at rated voltage for 72 hours	Shall have no damage

8. OTHER

8-1	Terminal	22awg Lead Wires (x4)
8-2	Rotating direction	Marked on housing
8-3	Air flow direction	Marked on housing
8-4	Appearance	Shall be free of defects
8-5	Mounting hole	8 places 4.3mm
8-6	Lot marking	Date code stamped on label





<b>Customer:</b>	<b>Rev. 0</b>
<b>Item: Brushless AC Fan</b>	<b>Page 5 of 5</b>
<b>Model: UF80A12/23-BWHR</b>	<b>Issue Date:</b>

