



Chipsmall Limited consists of a professional team with an average of over 10 year of expertise in the distribution of electronic components. Based in Hongkong, we have already established firm and mutual-benefit business relationships with customers from,Europe,America and south Asia,supplying obsolete and hard-to-find components to meet their specific needs.

With the principle of “Quality Parts,Customers Priority,Honest Operation,and Considerate Service”,our business mainly focus on the distribution of electronic components. Line cards we deal with include Microchip,ALPS,ROHM,Xilinx,Pulse,ON,Everlight and Freescale. Main products comprise IC,Modules,Potentiometer,IC Socket,Relay,Connector.Our parts cover such applications as commercial,industrial, and automotives areas.

We are looking forward to setting up business relationship with you and hope to provide you with the best service and solution. Let us make a better world for our industry!



Contact us

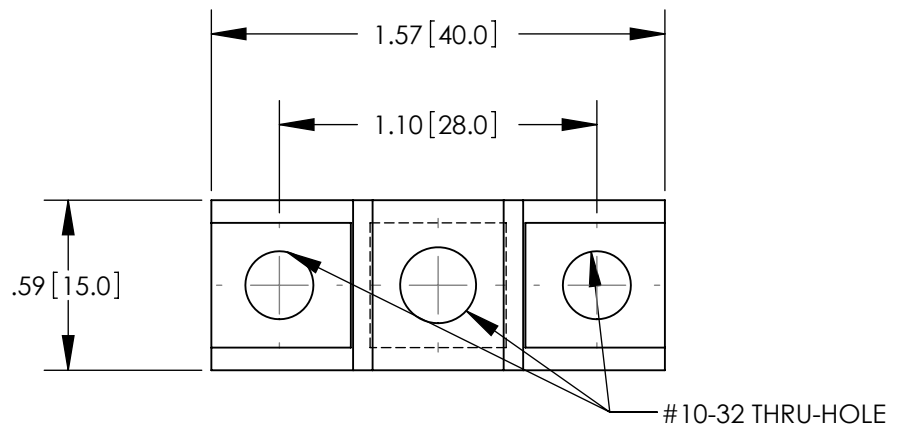
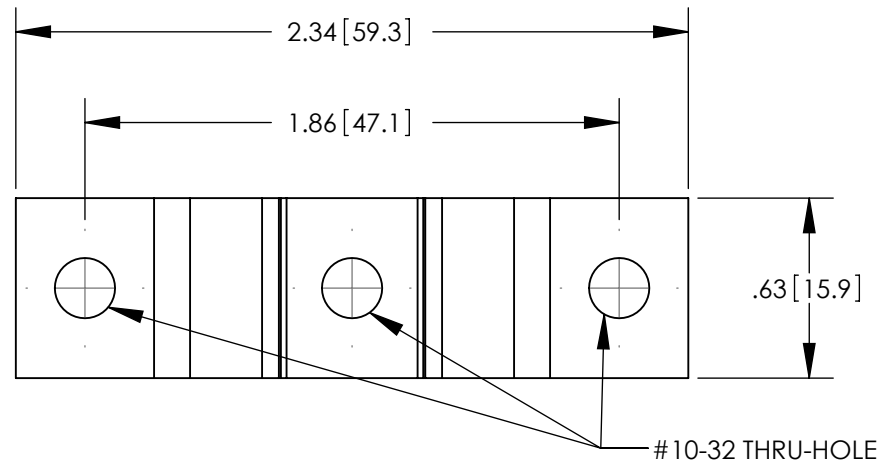
Tel: +86-755-8981 8866 Fax: +86-755-8427 6832

Email & Skype: info@chipsmall.com Web: www.chipsmall.com

Address: A1208, Overseas Decoration Building, #122 Zhenhua RD., Futian, Shenzhen, China

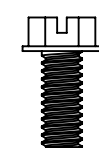
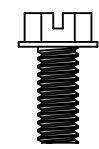
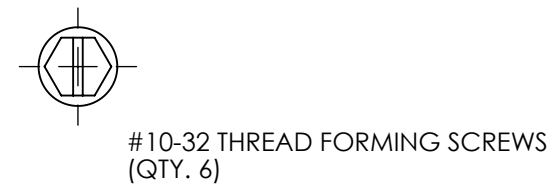
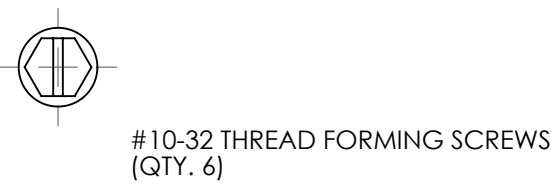
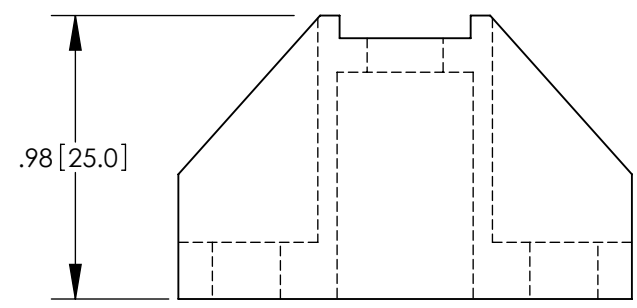
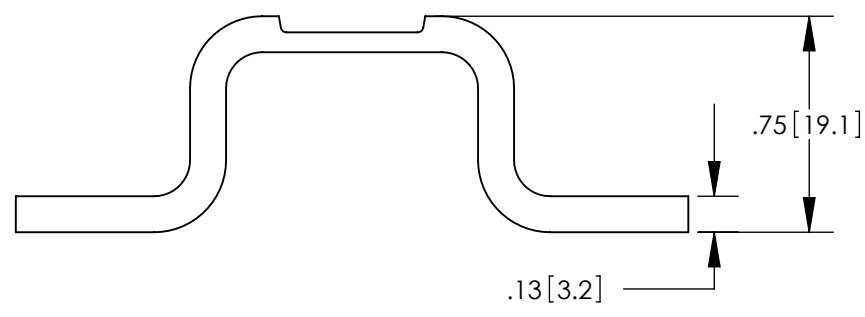


THIS COPY IS PROVIDED ON A RESTRICTED BASIS AND IS NOT TO BE USED IN ANY WAY DETRIMENTAL TO THE INTERESTS OF PANDUIT CORP.



NOTES:

- MATERIAL:
 UGB-B-SO: CDA-110 ELECTROLYTIC COPPER, TIN PLATED
 UGB-IN-SO: DMC GRADE DR17 RED HARD PLASTIC
 UL 94 V-0 (HALOGEN FREE)
 600V OF INSULATION
- DESIGNED FOR USE WITH PANDUIT UNIVERSAL GROUND BAR SYSTEM, UGB2/0 SERIES
- DIMENSIONS IN BRACKETS ARE MILLIMETERS



UGB-B-SO

UGB-IN-SO

												UNIVERSAL GROUND BAR BONDING & ISOLATION STAND-OFFS (UGB-B-SO, UGB-IN-SO) CUSTOMER DRAWING	
										UNLESS OTHERWISE SPECIFIED DIMENSIONAL TOLERANCES ARE: (.X) ± (.XXX) ± (.XX) ± .02 [0.5] ANGLES ±		UNLESS OTHERWISE SPECIFIED, ALL DIMENSIONS ARE GIVEN IN INCHES, THIRD ANGLE PROJECTION	
										DRAWN BY JHNU	MAT'L: NONE		SCALE NONE
00	1/12	JHNU	SRBI	RELEASED TO PRODUCTION			10J017CC-JC	RGB	RGB	DATE	1/12	DRAWING NO / CAD FILE 10J017CC-JC	DWG B SIZE
REV	DATE	BY	CHK	DESCRIPTION			ECN	-R	SUP	CHK'D	SRBI		