



Chipsmall Limited consists of a professional team with an average of over 10 year of expertise in the distribution of electronic components. Based in Hongkong, we have already established firm and mutual-benefit business relationships with customers from,Europe,America and south Asia,supplying obsolete and hard-to-find components to meet their specific needs.

With the principle of “Quality Parts,Customers Priority,Honest Operation,and Considerate Service”,our business mainly focus on the distribution of electronic components. Line cards we deal with include Microchip,ALPS,ROHM,Xilinx,Pulse,ON,Everlight and Freescale. Main products comprise IC,Modules,Potentiometer,IC Socket,Relay,Connector.Our parts cover such applications as commercial,industrial, and automotives areas.

We are looking forward to setting up business relationship with you and hope to provide you with the best service and solution. Let us make a better world for our industry!



Contact us

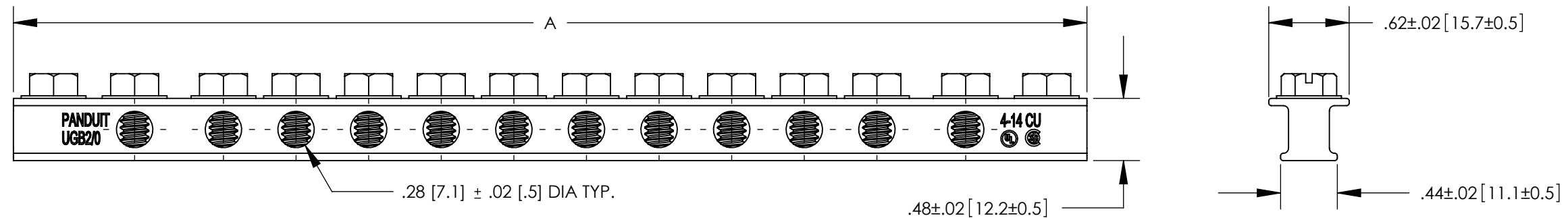
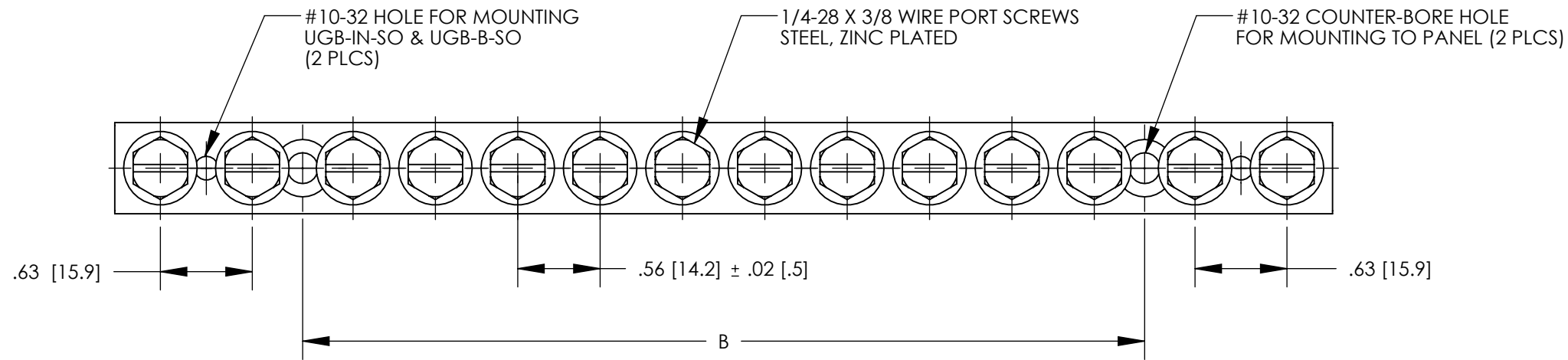
Tel: +86-755-8981 8866 Fax: +86-755-8427 6832

Email & Skype: info@chipsmall.com Web: www.chipsmall.com

Address: A1208, Overseas Decoration Building, #122 Zhenhua RD., Futian, Shenzhen, China

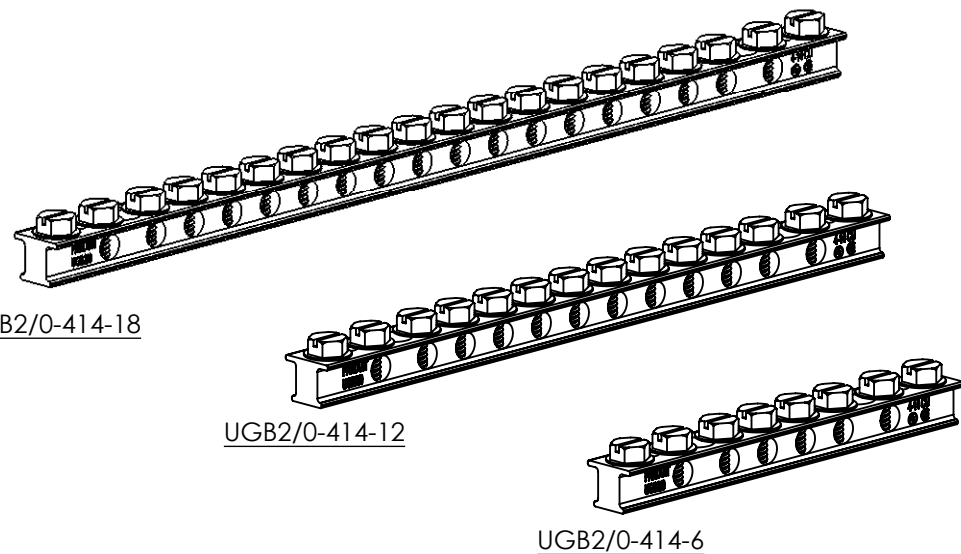


THIS COPY IS PROVIDED ON A RESTRICTED BASIS AND IS NOT TO BE USED IN ANY WAY DETRIMENTAL TO THE INTERESTS OF PANDUIT CORP.



NOTES

1. MATERIAL: CDA-110 ELECTROLYTIC COPPER, TIN PLATED
2. UL LISTED 467 FOR GROUNDING AND BONDING EQUIPMENT
3. CSA CERTIFIED 22.2
4. CAN BE MOUNTED DIRECTLY TO PANEL OR MOUNTED USING UGB-IN-SO, OR USING UGB-B-SO
5. MAXIMUM EQUIPMENT GROUNDING CONDUCTOR OF 2/0 AWG COPPER WIRE
6. ACCEPTS MOST LUGS AND TERMINALS WITH A 1/4" [6.4] STUD HOLE SIZE AND A MAX. TONGUE WIDTH OF .55" [14.0]



PANDUIT PART NUMBER	# OF PORTS	WIRE PORT WIRE RANGE	1/4-28 WIRE PORT SCREW QTY.	DIMENSIONS - IN [mm] +/- .02 [.5]	
				A	B
UGB2/0-414-6	6	14 AWG - 4 AWG	8	4.92 [125.0]	2.37 [60.1]
UGB2/0-414-12	12	14 AWG - 4 AWG	14	8.28 [210.3]	5.73 [145.4]
UGB2/0-414-18	18	14 AWG - 4 AWG	20	11.64 [295.7]	9.09 [230.8]

										PANDUIT CORP. TINLEY PARK, ILLINOIS			
										6, 12, & 18 PORT UNIVERSAL GROUND BAR (UGB2/0-414-6, UGB2/0-414-12, UGB2/0-414-18) CUSTOMER DRAWING			
										UNLESS OTHERWISE SPECIFIED DIMENSIONAL TOLERANCES ARE: (.X) ± (.XXX) ± (.XX) ± ANGLES ±		UNLESS OTHERWISE SPECIFIED, ALL DIMENSIONS ARE GIVEN IN INCHES, THIRD ANGLE PROJECTION	
										DRAWN BY JHNU		SCALE NONE	
										DATE 1/12		DRAWING NO / CAD FILE 10J017CB-JC	
00	1/12	JHNU	SRBI	RELEASED TO PRODUCTION	10J017CB-JC	RGB	RGB	DATE	1/12	CHK'D	SRBI	DWG B SIZE	
REV	DATE	BY	CHK	DESCRIPTION	ECN	-R	SUP	CHK'D	SRBI				