



Chipsmall Limited consists of a professional team with an average of over 10 year of expertise in the distribution of electronic components. Based in Hongkong, we have already established firm and mutual-benefit business relationships with customers from,Europe,America and south Asia,supplying obsolete and hard-to-find components to meet their specific needs.

With the principle of "Quality Parts,Customers Priority,Honest Operation,and Considerate Service",our business mainly focus on the distribution of electronic components. Line cards we deal with include Microchip,ALPS,ROHM,Xilinx,Pulse,ON,Everlight and Freescale. Main products comprise IC,Modules,Potentiometer,IC Socket,Relay,Connector.Our parts cover such applications as commercial,industrial, and automotives areas.

We are looking forward to setting up business relationship with you and hope to provide you with the best service and solution. Let us make a better world for our industry!



## Contact us

Tel: +86-755-8981 8866 Fax: +86-755-8427 6832

Email & Skype: info@chipsmall.com Web: www.chipsmall.com

Address: A1208, Overseas Decoration Building, #122 Zhenhua RD., Futian, Shenzhen, China



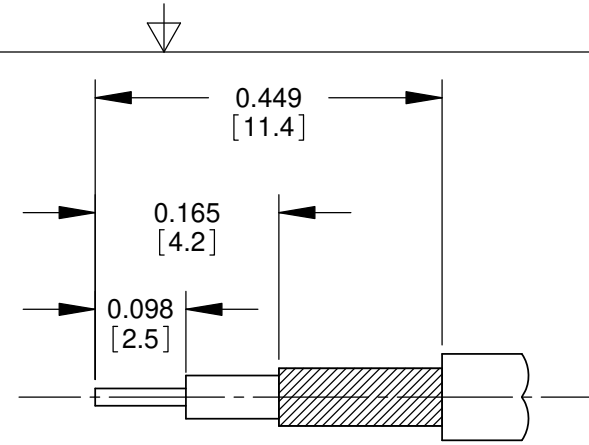
INSULATOR  
NATURAL  
SEE NOTE 6

SHELL  
SEE NOTES  
1 AND 3

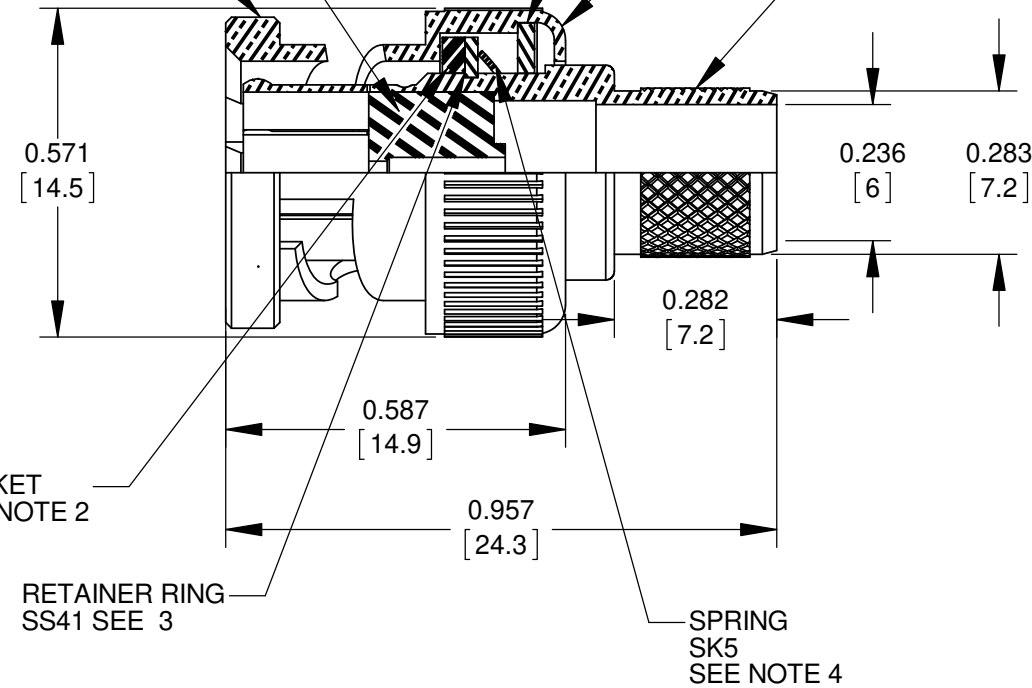
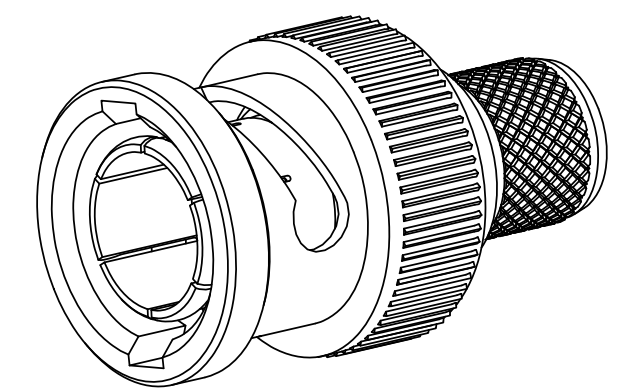
WASHER  
SS41 SEE NOTE 3

FORMING

BODY  
SEE NOTES 1 AND 3



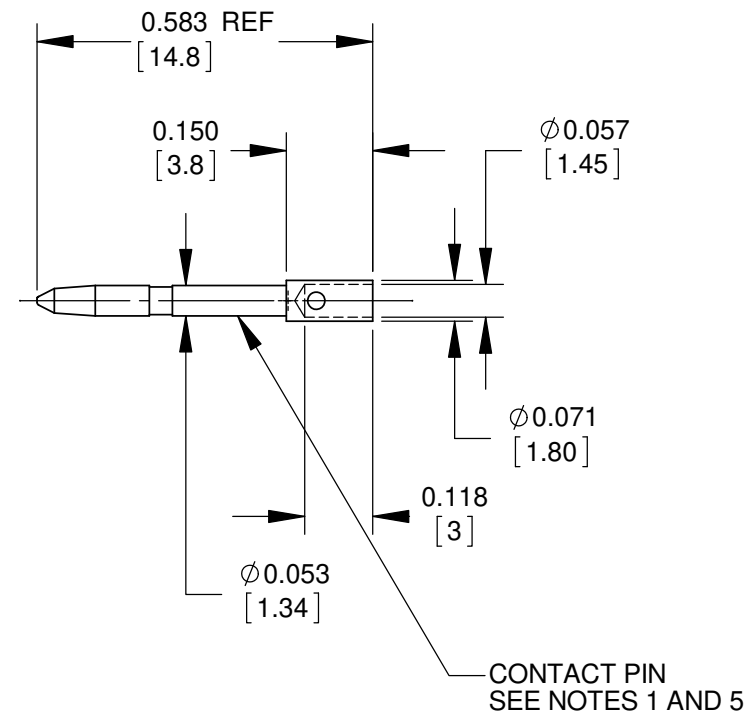
RECOMMENDED  
CABLE STRIPPING DIMENSIONS



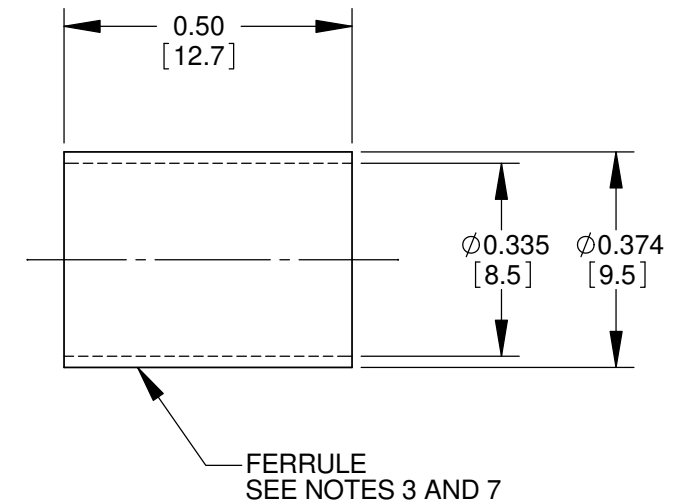
GASKET  
SEE NOTE 2

RETAINER RING  
SS41 SEE 3

SPRING  
SK5  
SEE NOTE 4



CONTACT PIN  
SEE NOTES 1 AND 5



FERRULE  
SEE NOTES 3 AND 7

NOTES:

FINISH (PLATING THICKNESS IN MICRO-INCHES)

1. BRASS PER QQ-8-626 (OB)
2. RED SILICONE
3. NICKEL PLATING 100 MIN THICK OVER COPPER STRIKE.
4. NICKEL PLATING 200 MIN THICK OVER COPPER STRIKE.
5. GOLD PLATING 50 MIN THICK OVER NICKEL PLATING  
70 MIN THICK OVER COPPER STRIKE.
6. TEFLON MIL-P-19468
7. BRASS JIS H 3250, C 2700
8. CRIMPED FERRULE HEX CRIMP SIZE 0.324
9. CRIMPED CONTACT PIN HEX CRIMP SIZE 0.057
10. ALL DIMENSIONS ARE FOR REFERENCE ONLY UNLESS OTHERWISE SPECIFIED.
11. THIS PRODUCT IS RoHS COMPLIANT.

THIS PRODUCT MEETS SMPTE ST 2082-1 THRU 20 GHz

CUSTOMER DRAWING

					THIS DRAWING DESCRIBES A DESIGN CONSIDERED PROPRIETARY IN NATURE, DEVELOPED AND MANUFACTURED BY SWITCHCRAFT INC. AND IS RELEASED ON A CONFIDENTIAL BASIS FOR IDENTIFICATION PURPOSES ONLY.								
					UNLESS OTHERWISE SPECIFIED	SIZE *	WIDTH *	MULT *	LBS/M *	TEMPER *			
					1. ALL DIMENSIONS IN INCHES [mm]	FINISH *				MATERIAL *			
					- TWO PLACE DECIMALS ±0.02 [0.5]	SPEC No. *				SPEC No. *			
					- THREE PLACE DECIMALS ±0.005 [0.13]	FIRST USED ON *		SCALE 3:1					
					0B	DATE DRAWN	BY	CHKD	APVD	SHEET 1 OF 1			
					REV	ECO NUMBER	DATE	BY	APVD	PART No.	REV		
REVISIONS					DO NOT SCALE DRAWING					UHD BNC FOR CABLE B4794R		UHDBNC47	0B

SolidWorks CAD File (B)