



Chipsmall Limited consists of a professional team with an average of over 10 year of expertise in the distribution of electronic components. Based in Hongkong, we have already established firm and mutual-benefit business relationships with customers from,Europe,America and south Asia,supplying obsolete and hard-to-find components to meet their specific needs.

With the principle of “Quality Parts,Customers Priority,Honest Operation,and Considerate Service”,our business mainly focus on the distribution of electronic components. Line cards we deal with include Microchip,ALPS,ROHM,Xilinx,Pulse,ON,Everlight and Freescale. Main products comprise IC,Modules,Potentiometer,IC Socket,Relay,Connector.Our parts cover such applications as commercial,industrial, and automotives areas.

We are looking forward to setting up business relationship with you and hope to provide you with the best service and solution. Let us make a better world for our industry!



Contact us

Tel: +86-755-8981 8866 Fax: +86-755-8427 6832

Email & Skype: info@chipsmall.com Web: www.chipsmall.com

Address: A1208, Overseas Decoration Building, #122 Zhenhua RD., Futian, Shenzhen, China



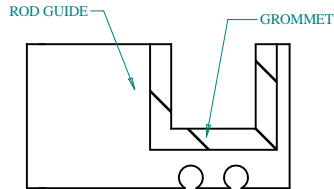
UHDM 1 DOOR MASTER - SERIES

BUL10095

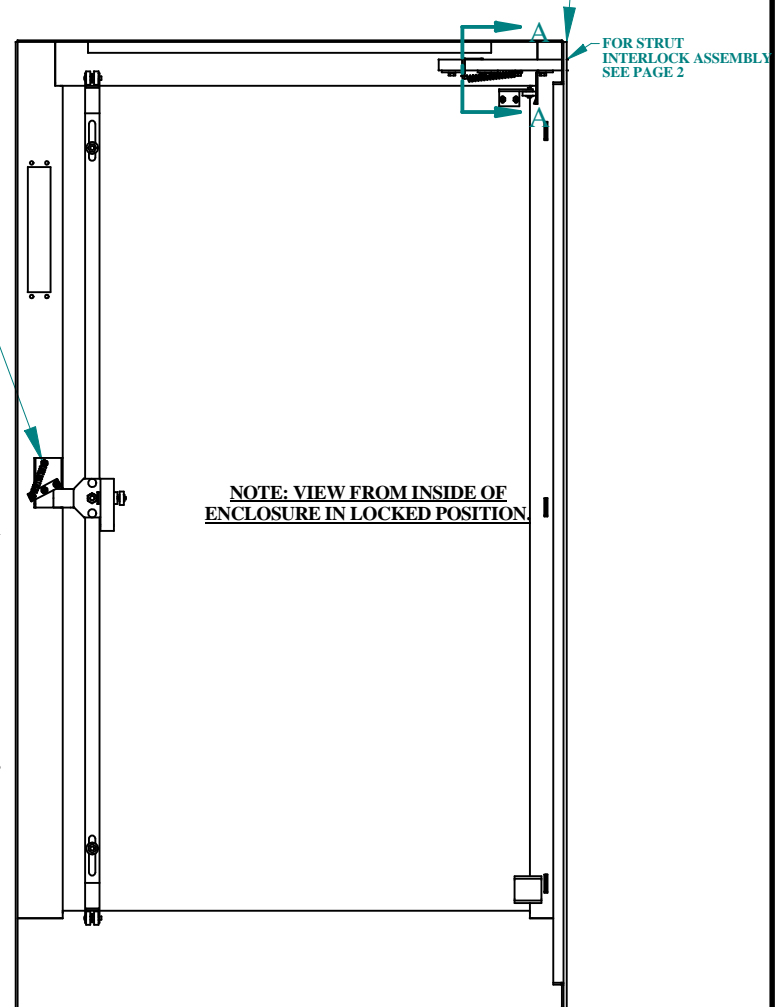
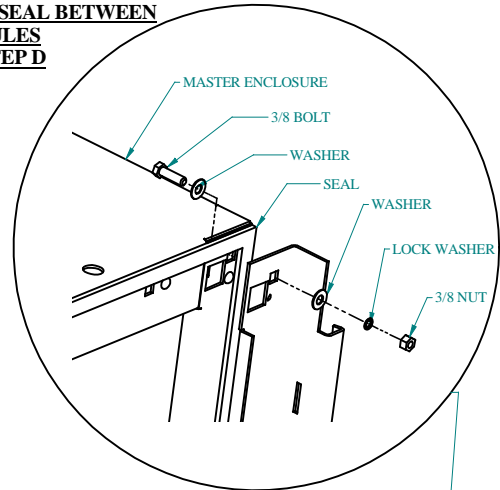
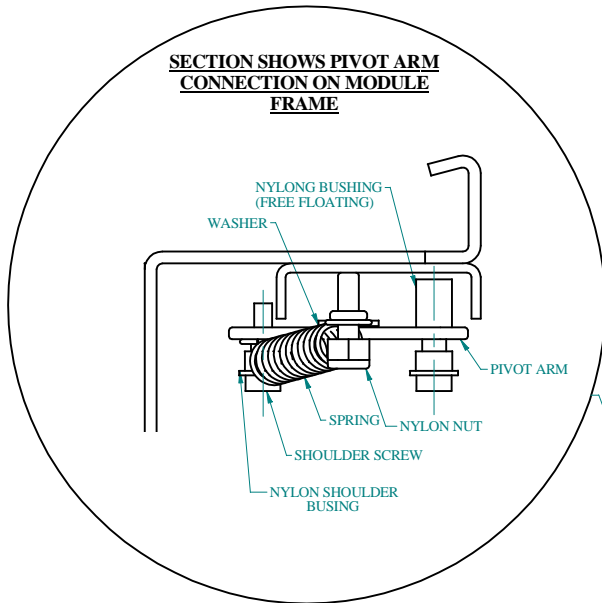
REV. C

ASSEMBLY INSTRUCTIONS FOR CONNECTING INTERLOCK INSTALLATION

ASSEMBLY VIEW OF JOINING HARDWARE AND SEAL BETWEEN MODULES SEE STEP D



SECTION A-A



NOTE FOR CONNECTING:

- (A) POSITION MODULAR SECTIONS WITH THE MASTER MODULE ON THE RIGHT. SLAVE MODULES ARE MOUNTED IN ANY SEQUENCE (SINGLE OR DOUBLE DOOR TO THE LEFT).
- (B) SHIM UNDER MODULES FOR UNEVEN FLOOR AS REQUIRED TO ALIGN MATING HOLES IN THE SIDES OF MODULES.
- (C) IF BARRIER PLATE USED POSITION SUCH THAT THE GASKET IS SEALING BOTH SIDES OF THE PLATE. *NOTE: BARRIER PLATE WILL COMPLETELY SEAL BETWEEN SECTION. THE MODULES BEYOND THE BARRIER MUST BE INTERLOCKED WITH THE MASTER DISCONNECT SWITCH, A CLEARANCE HOLE MUST BE MADE IN THE BARRIER FOR THE TRANSFER BAR. USE MATING HOLE IN THE ENCLOSURE AS A TEMPLATE FOR SIZE AND LOCATION OF HOLE.
- (D) BOLT THE MODULES TOGETHER USING A 3/8 CAPSCREW, TWO FLAT WASHERS, LOCKWASHER AND A NUT ON EACH HOLE. TIGHTEN TO A TORQUE OF 100 IN-LBS. REFER TO VIEW ABOVE.
- (E) SEAL OFF THE END OF THE LAST SLAVE UNIT WITH A FLAT END PLATE, OR A FORMED END COVER USING A WASHER AND LOCKNUTS. THEN TIGHTEN NUTS TO A TORQUE OF 50 IN-LB.
- (F) USE BONDING STUDS (PROVIDED INSIDE ALL THE OPENINGS AND ALL THE DOORS) TO ENSURE CONTINUITY OF GROUND BETWEEN ALL POINTS IN THE ENCLOSURE. A BONDING WIRE MUST BE USED BETWEEN THESE STUDS.

TOOL BOX



9/16" Socket
Wrench



9/16 Open End
Wrench



**HAMMOND
MANUFACTURING™
ENCLOSURES**

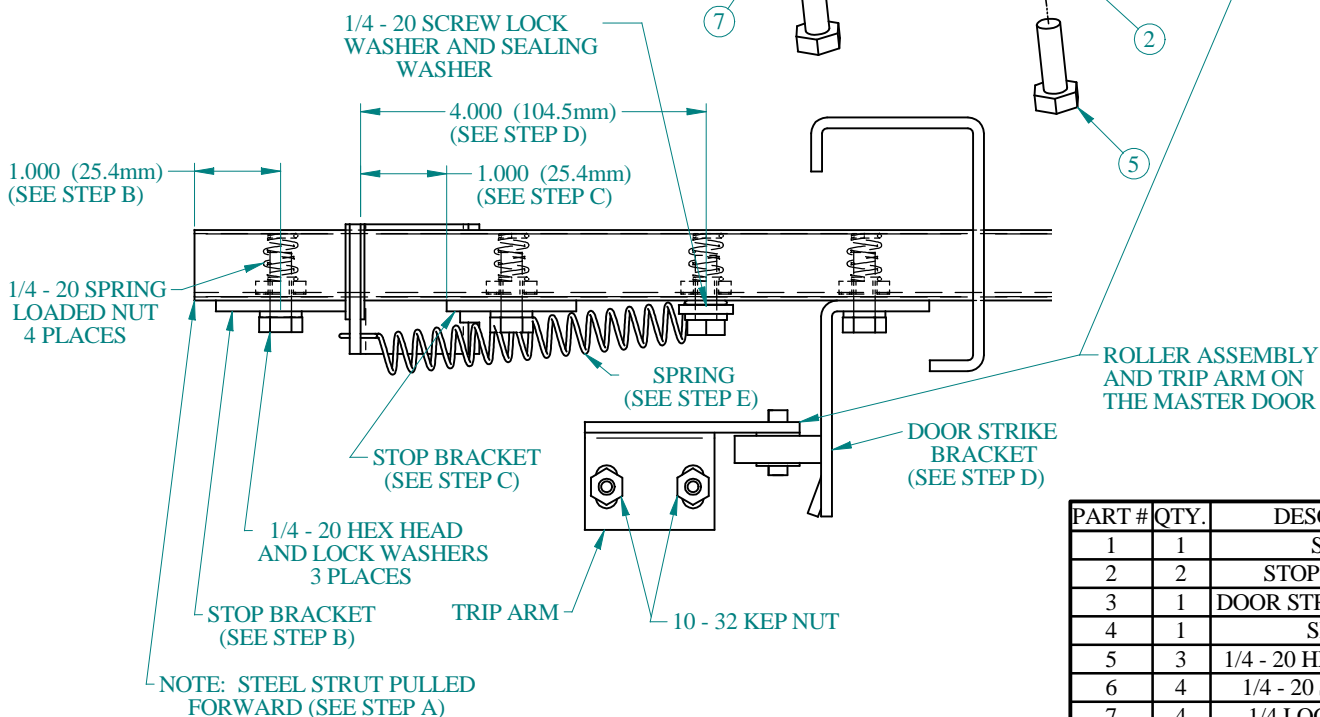
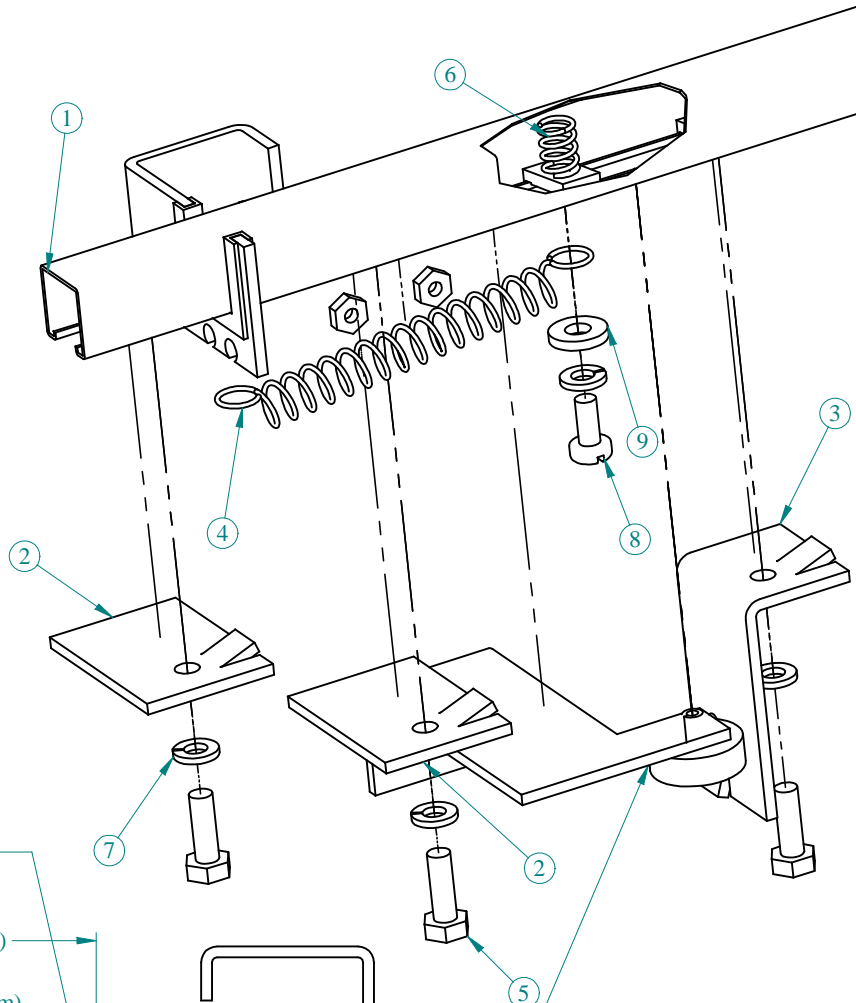
UHDM 1 DOOR MASTER - SERIES

BUL10095

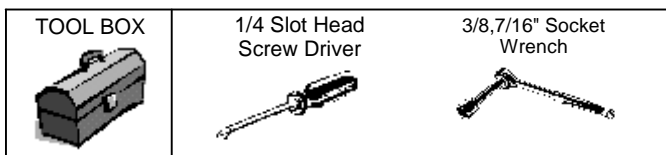
REV. C

ASSEMBLY INSTRUCTIONS FOR CONNECTING INTERLOCK INSTALLATION

- (A) PULL THE STEEL STRUT (PART 1) FORWARD FROM THE ATTACHED SLAVE DISCONNECT ENCLOSURE.
- (B) INSTALL THE STOP BRACKET (PART 2) TO THE STEEL STRUT, 1.00" (25.4mm) FROM THE END AS SHOWN. USE 1/4 - 20 HEX SCREW, SPRING NUT AND LOCK WASHERS (PARTS 5, 6 & 7).
- (C) FASTEN THE SECOND STOP BRACKET 1.00" (25.4mm) OVER FROM THE ROD GUIDE AS SHOWN. USE 1/4 - 20 HARDWARE (PARTS 5, 6 & 7).
- (D) WITH DOOR FULLY CLOSED AND SECOND STOP BRACKET OVER TIGHT AGAINST THE ROD GUIDE, INSTALL THE DOOR STRIKE BRACKET
- (E) FASTEN THE SPRING (PART 4) AS SHOWN. SLIP ONE END OVER THE HOOK ON THE ROD GUIDE AND FASTEN THE OTHER END TO THE STRUT. USE 1/4-20 RH SCREW, SPRING NUT, LOCK WASHER AND A SEALING WASHER (PARTS 6,7,8,9).



PART #	QTY.	DESCRIPTION
1	1	STRUT
2	2	STOP BRACKET
3	1	DOOR STRIKE BRACKET
4	1	SPRING
5	3	1/4 - 20 HEX HD SCREW
6	4	1/4 - 20 SPRING NUT
7	4	1/4 LOCK WASHER
8	1	1/4 - 20 RD HD SCREW
9	1	1/4 SEALING WASHER



HAMMOND MANUFACTURING™
ENCLOSURES