



Chipsmall Limited consists of a professional team with an average of over 10 year of expertise in the distribution of electronic components. Based in Hongkong, we have already established firm and mutual-benefit business relationships with customers from,Europe,America and south Asia,supplying obsolete and hard-to-find components to meet their specific needs.

With the principle of “Quality Parts,Customers Priority,Honest Operation,and Considerate Service”,our business mainly focus on the distribution of electronic components. Line cards we deal with include Microchip,ALPS,ROHM,Xilinx,Pulse,ON,Everlight and Freescale. Main products comprise IC,Modules,Potentiometer,IC Socket,Relay,Connector.Our parts cover such applications as commercial,industrial, and automotives areas.

We are looking forward to setting up business relationship with you and hope to provide you with the best service and solution. Let us make a better world for our industry!



Contact us

Tel: +86-755-8981 8866 Fax: +86-755-8427 6832

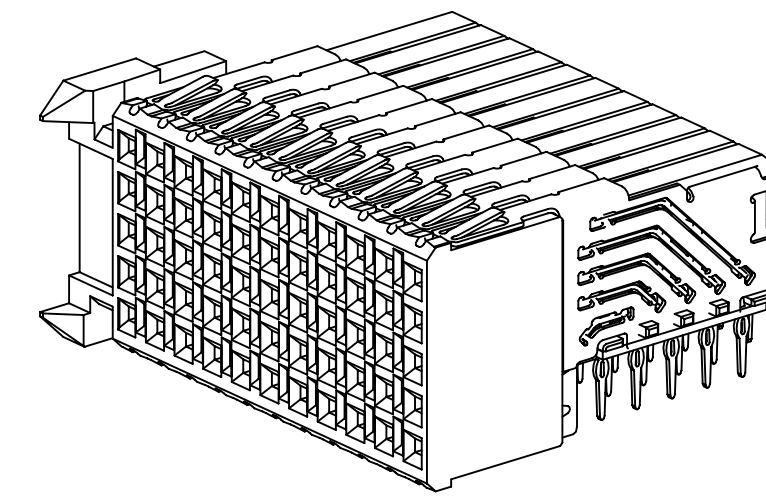
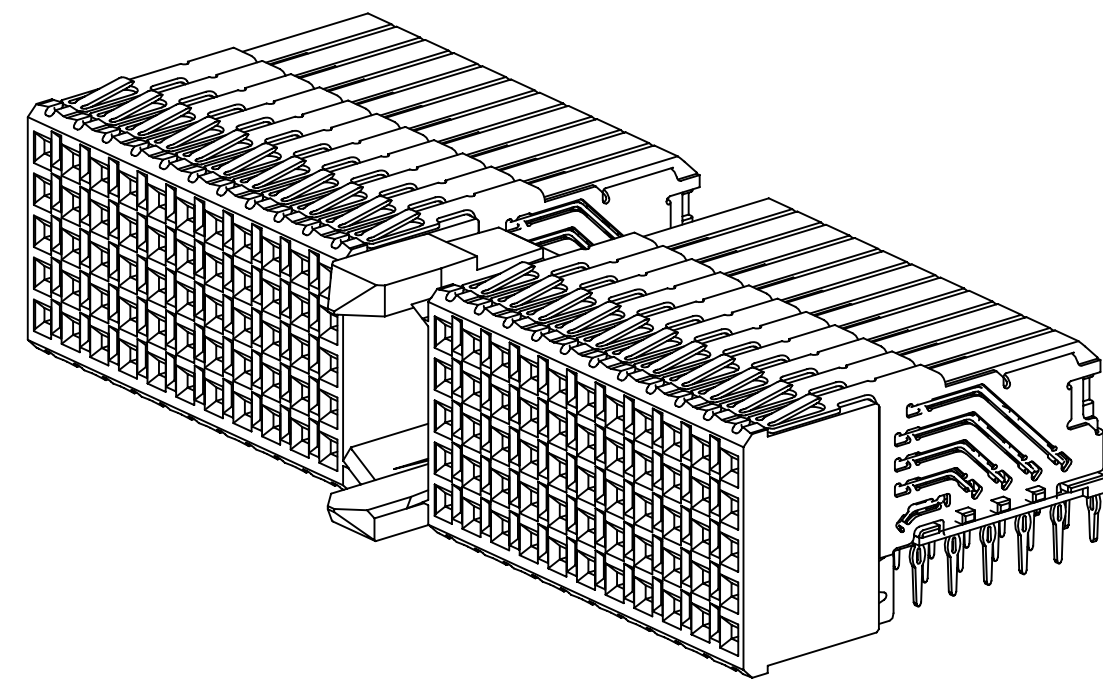
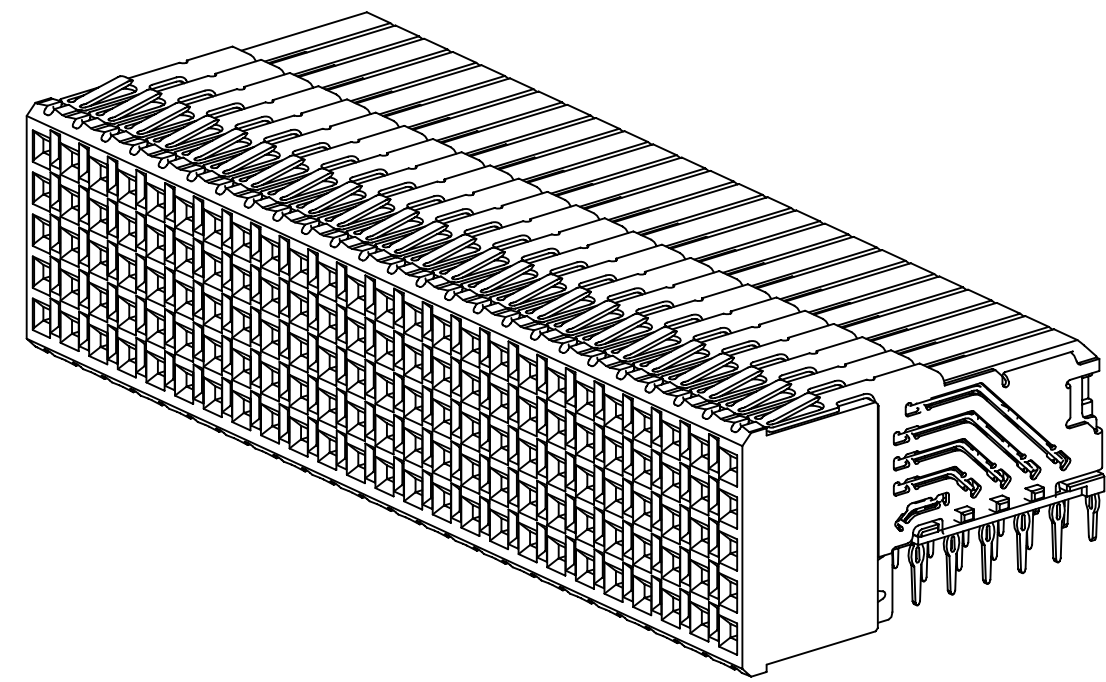
Email & Skype: info@chipsmall.com Web: www.chipsmall.com

Address: A1208, Overseas Decoration Building, #122 Zhenhua RD., Futian, Shenzhen, China



3M™ ULTRA HARD METRIC (UHM) PRESS-FIT SOCKET CONNECTORS, 5-ROW
FOR 2MM HARD METRIC APPLICATIONS

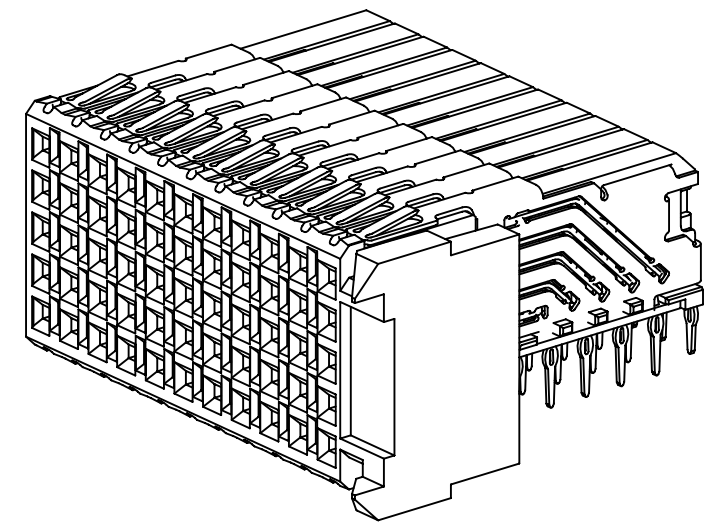
- NOTES
- MATERIAL:
PLASTIC: HIGH TEMP LCP,
UL94V-0
CONTACTS: COPPER ALLOY.
 - REGULATORY INFORMATION:
ROHS COMPLIANT. SEE THE
REGULATORY INFORMATION
APPENDIX (RIA) IN THE
"ROHS COMPLIANCE" SECTION
OF WWW.3MCONNECTORS.COM FOR
COMPLIANCE INFORMATION.
 - IN THE EVENT OF CONFLICT
BETWEEN THIS DATA AND THAT
CONTAINED IN THE PRODUCT
SPECIFICATION, THE PRODUCT
SPECIFICATION TAKES PRECEDENT.



UHM-S055BX-5AP1-XXXXX
UHM-S095BX-5AP1-XXXXX
UHM-S110BX-5AP1-XXXXX
UHM-S125BX-5AP1-XXXXX

UHM-S110AX-5AP1-XXXXX

UHM-S055CLX-5AP1-XXXXX



UHM-S055CRX-5AP1-XXXXX

MECHANICAL:

NORMAL FORCE (NOMINAL): .57N [58g] SIGNAL,
(.74N [75g] SHIELD WITH HSHM AND UHM HEADERS)
ENGAGEMENT FORCE (NOMINAL): .32N [33g] SIGNAL,
(.22N [22g] SHIELD WITH HSHM AND UHM HEADERS)
SEPARATION FORCE (NOMINAL): .20N [20g] SIGNAL,
(.20N [20g] SHIELD WITH HSHM AND UHM HEADERS)
WIPE (NOMINAL, SHORTEST CONTACT): 2.67 [.105] SIGNAL, 1.57 [.062] SHIELD
MATE/UNMATE CYCLES: 250
APPLICATION: THIS MODULE IS NOT SUITABLE FOR
STAND-ALONE USE. ADDITIONAL GUIDE
FEATURES RECOMMENDED PER IEC 61076-4-101

ELECTRICAL:

DATA RATE: 7+ Gbps DATA RATES
(WHEN MATED TO STANDARD
IEC 61076-4-101 HEADERS)
CHARACTERISTIC IMPEDANCE: 50Ω SINGLE-ENDED, 100Ω DIFFERENTIAL
CURRENT RATING (FULLY LOADED): 1A @ 70°C SIGNAL
INSULATION RESISTANCE: 10⁴ MΩ @ 100 V_{DC}
WITHSTANDING VOLTAGE: 625V_{RMS}

ENVIRONMENTAL:

TEMPERATURE RATING: -55°C TO 125°C

ORDERING INFORMATION

UHM-SXXXXYZ-5AP1-XXXXX

SOCKET POSITION
AND TYPE

PLATING:

HIGH SPEED OPTION

0 = 50Ω COAXIAL SINGLE-ENDED AND 100Ω DIFFERENTIAL PAIR
APPLICATIONS FOR CONNECTION TO 5 +2 ROW HEADERS
OUTER ROW GROUND TAILS IN ODD POSITIONS OF ROW F/Z
3 = 50Ω COAXIAL SINGLE-ENDED AND 100Ω DIFFERENTIAL PAIR
APPLICATIONS FOR CONNECTION TO 5 +2 ROW HEADERS
OUTER ROW GROUND TAILS IN ALL POSITIONS OF ROW F/Z

TG30 = .76μM [30μIN] MIN. GOLD ON CONTACT AREA
2.54μM [100μIN] MIN. TIN/LEAD ON TERMINAL AREA (RIA C2 & E2 APPLY)
1.27μM [50μIN] MIN. NICKEL ALL OVER.
STANDARD OPTION.
KR = .76μM [30μIN] MIN. GOLD ON CONTACT AREA
2.54μM [100μIN] MIN. MATTE TIN ON TERMINAL AREA (RIA C1 & E1 APPLY)
1.27μM [50μIN] MIN. NICKEL ALL OVER.

3M ELECTRONIC SOLUTIONS DIVISION
INTERCONNECT SOLUTIONS
<http://www.3mconnectors.com>

3M IS A TRADEMARK OF 3M COMPANY.
FOR TECHNICAL, SALES OR ORDERING
INFORMATION CALL 800-225-5373

| DESIGN REFERENCE | NEXT ASSEMBLY | REV | ECO | ISSUE DATE AND DESCRIPTION | DRFT | CHKD |
|---------------------------------|---------------|-------------------------------------|-------------|---|-----------|--------------|
| | | B | 58359 | DEC 04, 2014 REMOVE MKRT FEATURES & WITHSTANDING VOLTAGE WAS 750 | JNC | TS |
| | | A | 41080 | MAY 24, 2012 PRODUCTION RELEASE | JNC | TS |
| | | DRFT | CASTIGLIONE | MAY 23, 2012 | MFG | DATE |
| | | CHKD | | DATE | APPRV | DATE |
| | | | | | T. SUNIGA | MAY 23, 2012 |
| DIVISION | | INTERCONNECT SOLUTIONS | | DIVISION CODE | | |
| DO NOT SCALE DRAWING | | SCALE 3/1 | | TOLERANCES EXCEPT AS NOTED | | |
| THIRD ANGLE PROJECTION | | INCHES | | MILLIMETERS | | |
| INTERPRET PER ASME Y14.5 - 2009 | | .00 ± .01 .000 ± .005 .0000 ± | | 0 ± ± .3 ± .13 | | |
| MAX SURFACE ROUGHNESS | | SURFACES | | MARKED ONLY | | |
| ANGLES | | MARKED ONLY | | ANGLES | | |
| CAGE NUMBER | | SIZE | | DRAWING NO. | | REV. |
| D | | 78-5100-2533-7 | | B | | |
| MODEL | | DET | | SHT | | 1 OF 3 |
| | | IS15 | | YES | | NO |

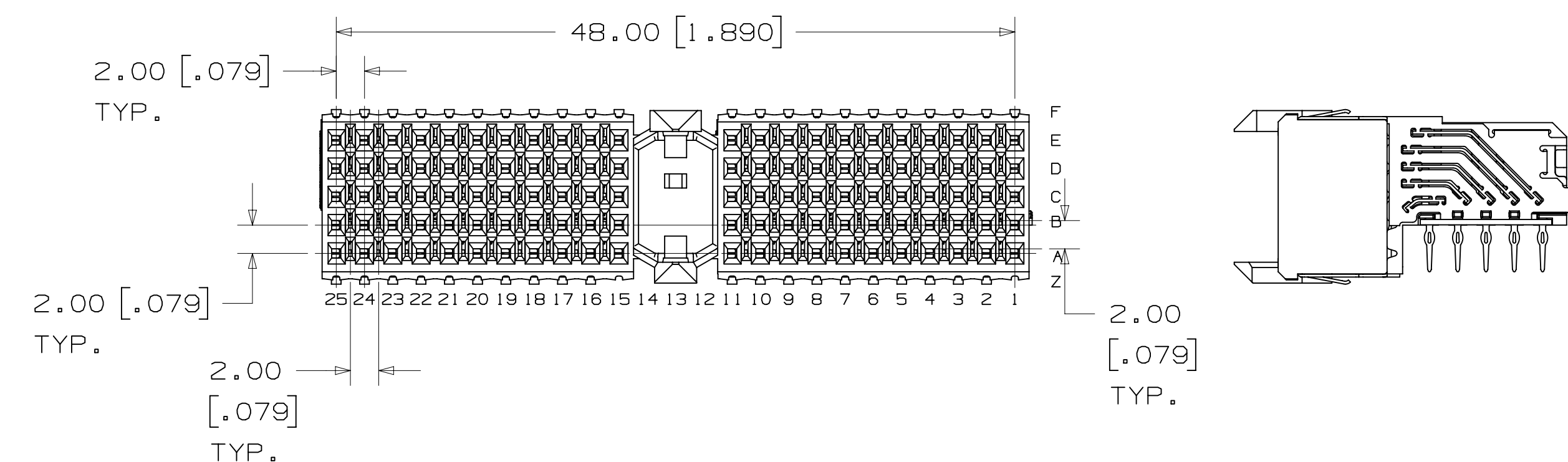
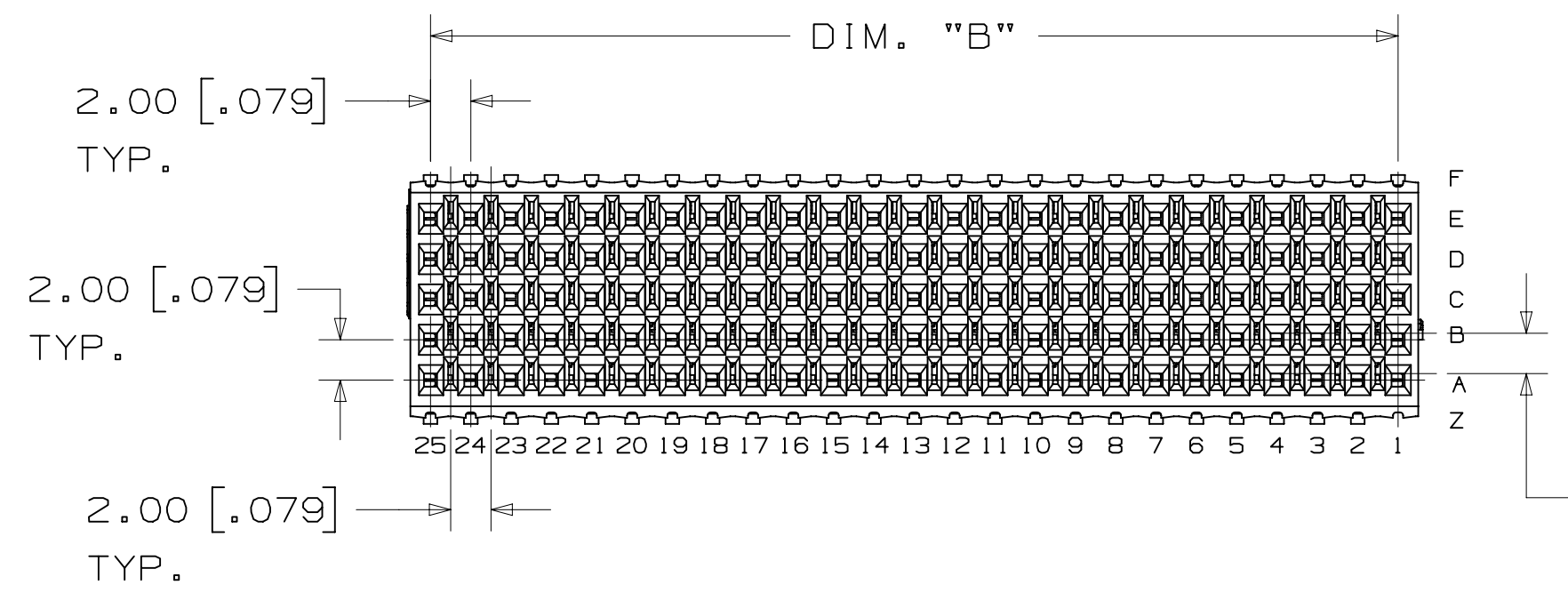
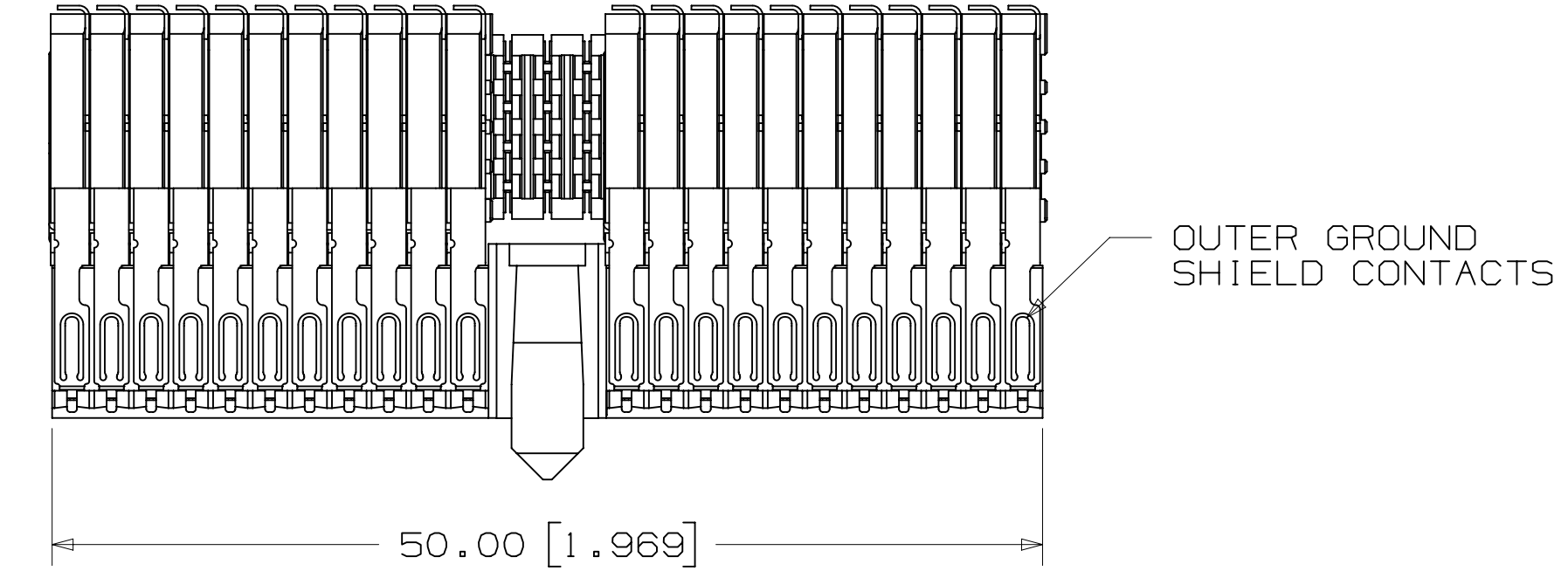
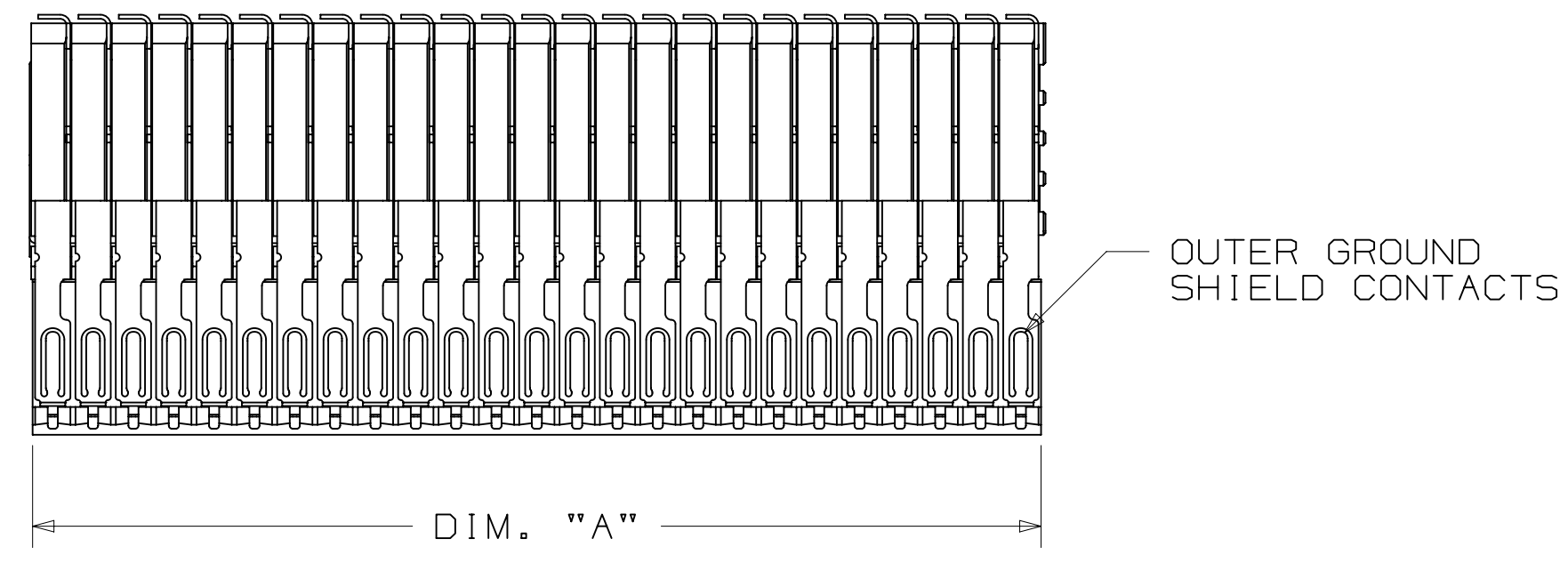
3M Center
St. Paul,
MN 55144

© 3M COPYRIGHT 2012
This document and the information it contains are
3M property and may not be reproduced or further
distributed without 3M permission, or used or
disclosed other than for 3M authorized purposes.
All rights reserved.

TITLE
UHM PRESS-FIT SOCKET,
5-ROW, CONNECTORS

78-5100-2533-7
DRAWING NUMBER
B
REVISION
A
12/4/2014 2:00 PM UTC-06:00
Imaged: B.1

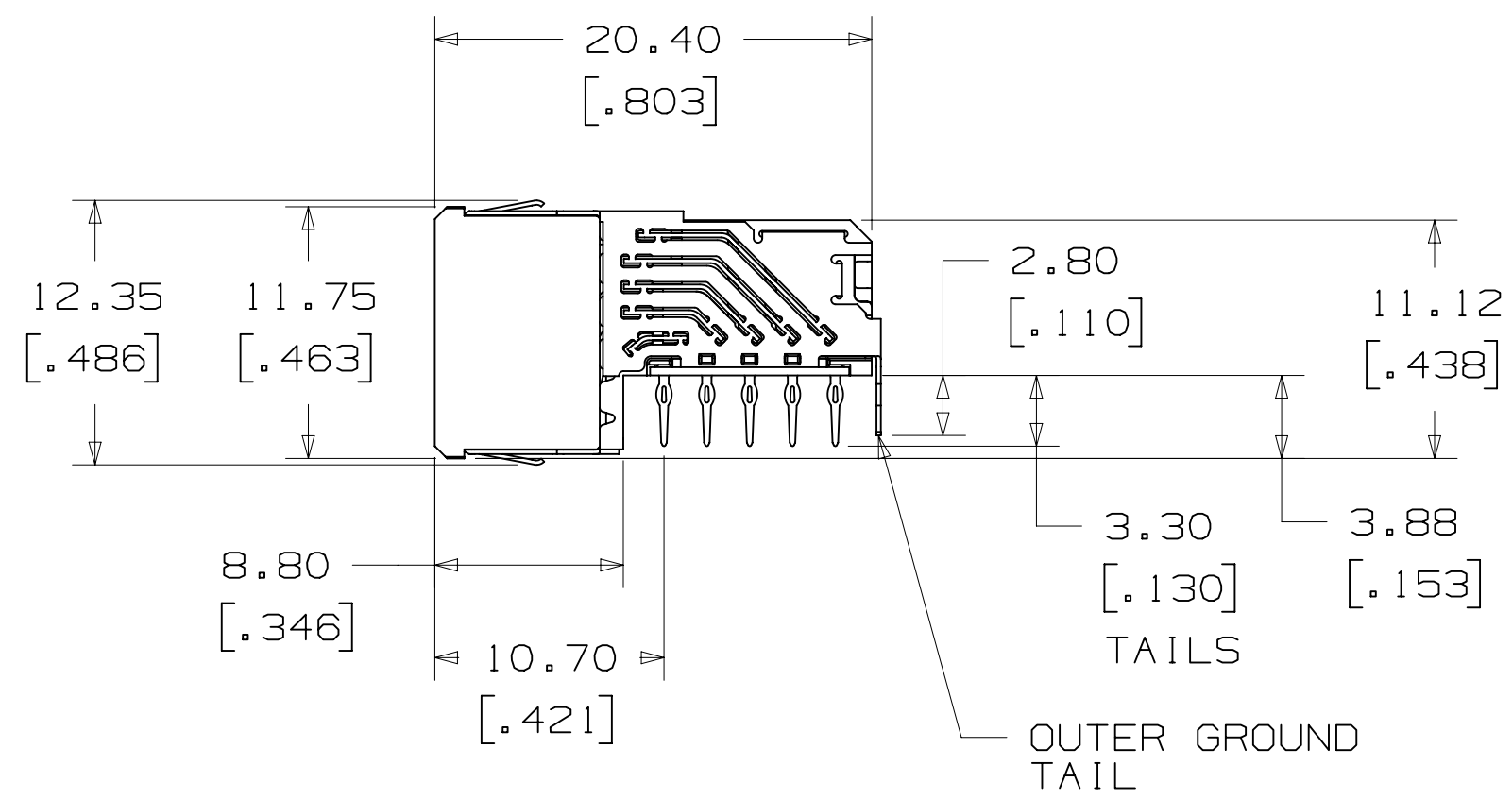
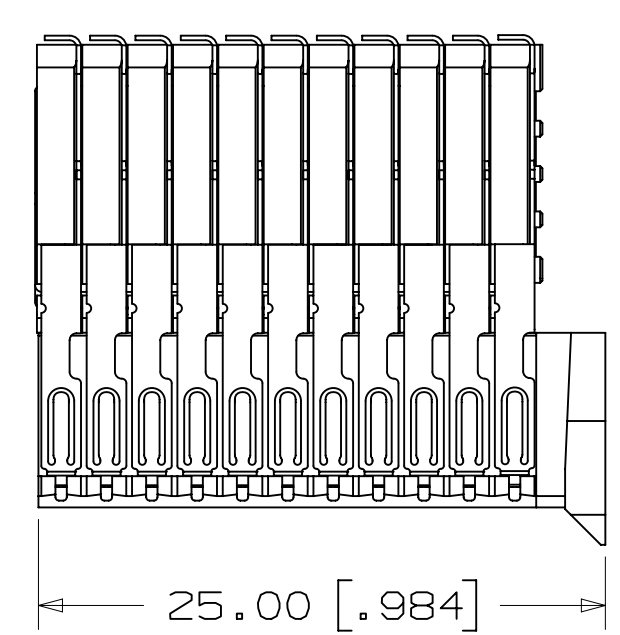
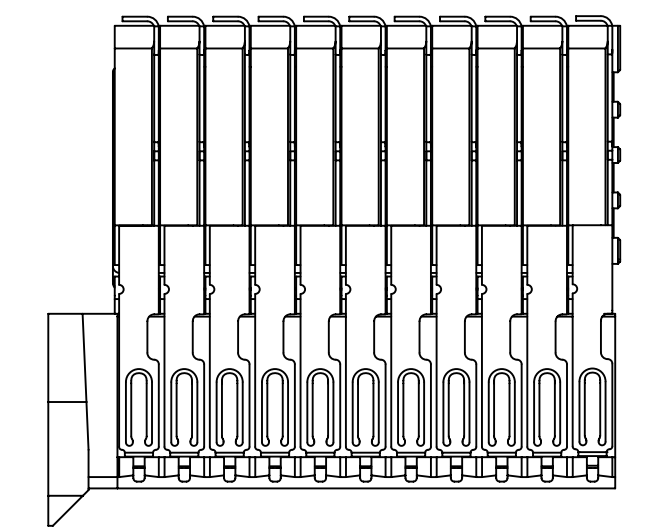
3M™ ULTRA HARD METRIC (UHM) PRESS-FIT SOCKET CONNECTORS, 5-ROW
 FOR 2MM HARD METRIC APPLICATIONS



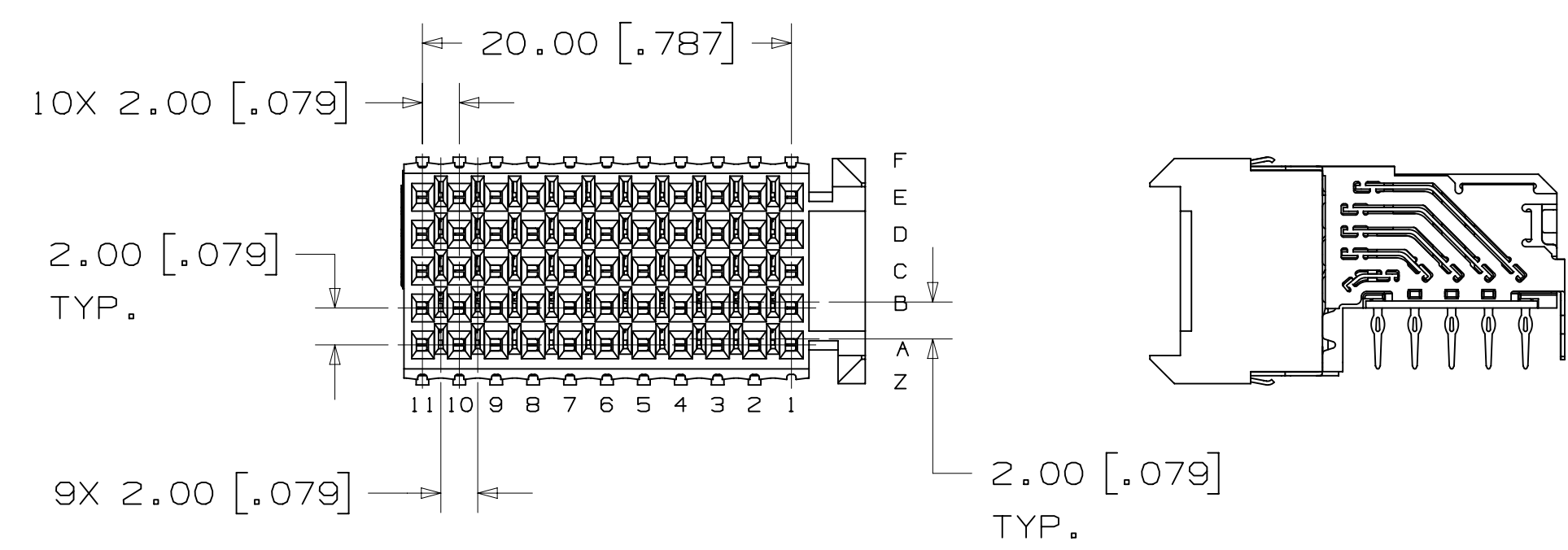
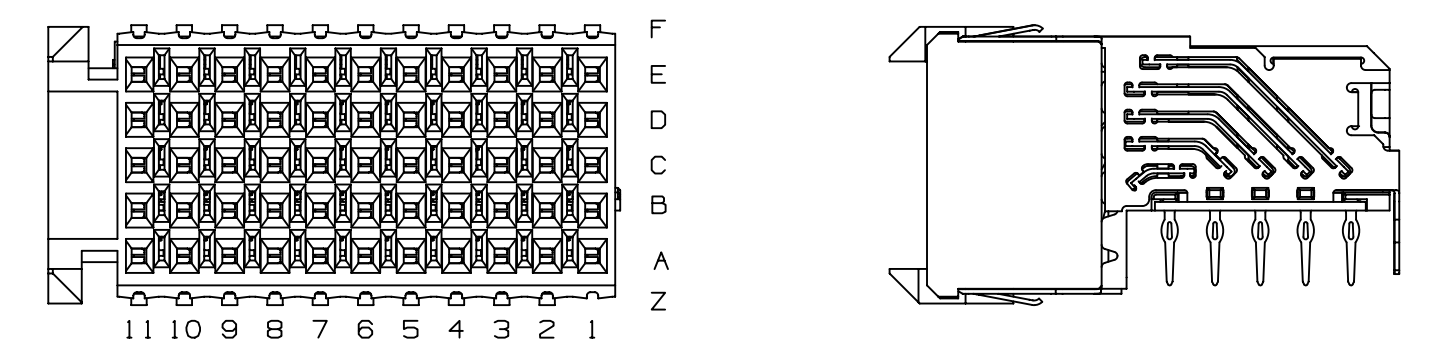
| SIGNAL CONTACT QTY. | DIM. "A" | DIM. "B" |
|---------------------|-----------------|-----------------|
| 055 | 22.00 [.866] | 20.00 [.787] |
| 095 | 38.00 [1.496] | 36.00 [1.417] |
| 110 | 44.00 [1.732] | 42.00 [1.654] |
| 125 | 50.00 [1.969] | 48.00 [1.890] |

UHM-S055BX-5AP1-XXXXX
 UHM-S095BX-5AP1-XXXXX
 UHM-S110BX-5AP1-XXXXX
 UHM-S125BX-5AP1-XXXXX

UHM-S110AX-5AP1-XXXXX



TYPICAL SIDE VIEW DIMENSIONS FOR THE SOCKETS ON THIS DRAWING



UHM-S055CLX-5AP1-XXXXX

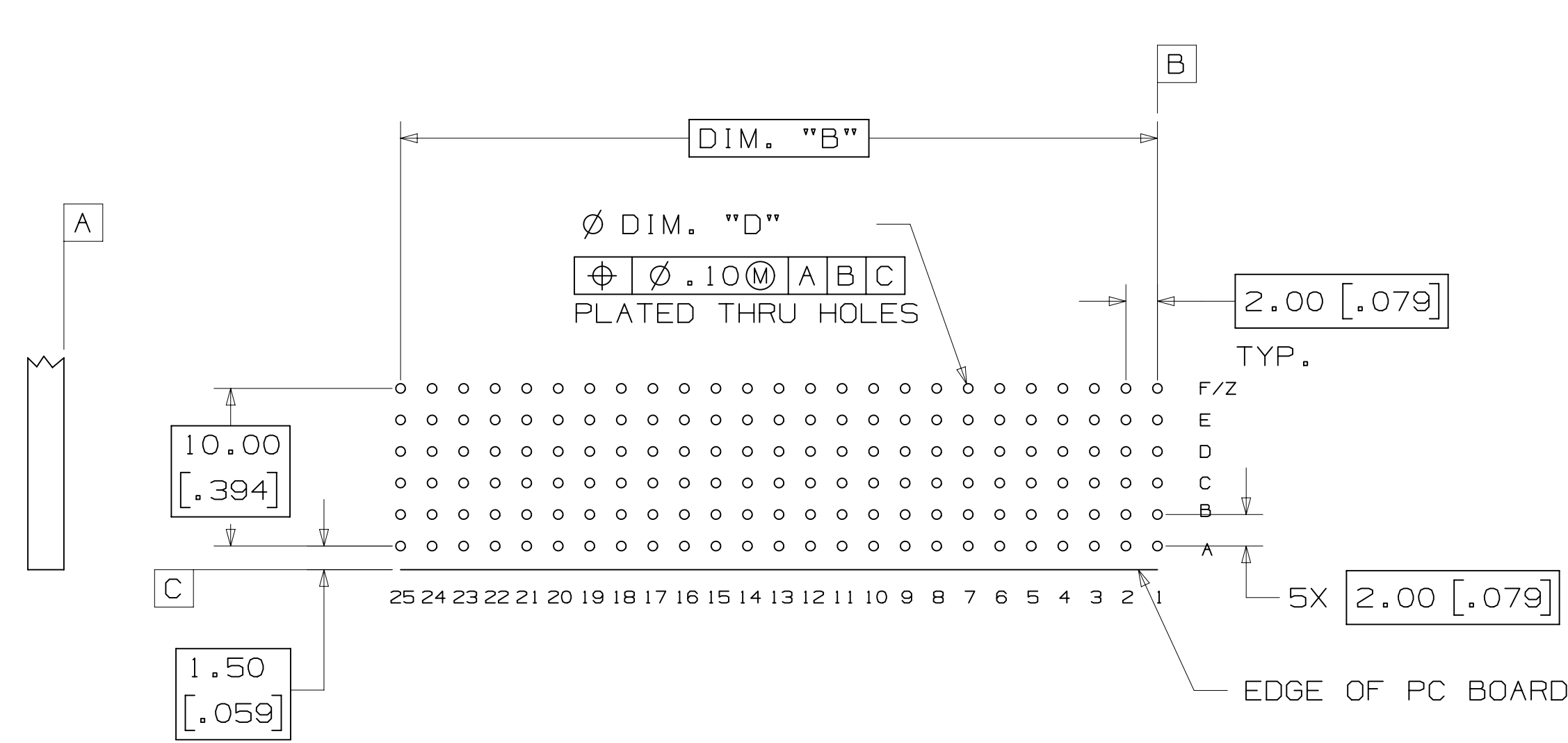
UHM-S055CRX-5AP1-XXXXX

| | | | | | | |
|---------------------------------|---------------|----------------------------|-----|----------------------------|------|------|
| DESIGN REFERENCE | NEXT ASSEMBLY | REV | ECO | ISSUE DATE AND DESCRIPTION | DRFT | CHKD |
| | | CASTIGLIONE | | MAY 23, 2012 | | |
| Interconnect Solutions | | DIVISION CODE | | DATE | | |
| DO NOT SCALE DRAWING | | SCALE 3/1 | | MAY 23, 2012 | | |
| THIRD ANGLE PROJECTION | | TOLERANCES EXCEPT AS NOTED | | DATE | | |
| INTERPRET PER ASME Y14.5 - 2009 | | INCHES | | MAY 23, 2012 | | |
| MAX SURFACE ROUGHNESS | | MILLIMETERS | | DATE | | |
| UNFINISHED SURFACES | | 0 | | MAY 23, 2012 | | |
| MARKED ONLY | | 0 ± .3 | | DATE | | |
| | | .00 ± .01 | | DATE | | |
| | | .000 ± .005 | | DATE | | |
| | | .0000 ± | | DATE | | |
| | | .00 ± .13 | | DATE | | |
| | | .000 ± | | DATE | | |
| | | ANGLES | | DATE | | |

| | | | | |
|---|-------|---|------|--------|
| B | 58359 | DEC 04, 2014 | JNC | TS |
| A | 41080 | MAY 24, 2012 | JNC | TS |
| REV | ECO | ISSUE DATE AND DESCRIPTION | DRFT | CHKD |
| | | REMOVE MKRT FEATURES & WITHSTANDING VOLTAGE WAS 750 | | |
| | | PRODUCTION RELEASE | | |
| © 3M COPYRIGHT 2012 This document and the information it contains are 3M property and may not be reproduced or further distributed without 3M permission, or used or disclosed other than for 3M authorized purposes. All rights reserved. | | | | |
| TITLE UHM PRESS-FIT SOCKET, 5-ROW, CONNECTORS | | | | |
| CAGE NUMBER | SIZE | DRAWING NO. | REV. | |
| D | | 78-5100-2533-7 | B | |
| MODEL | DET | ISTS | YES | NO |
| | | | SHT | 2 OF 3 |

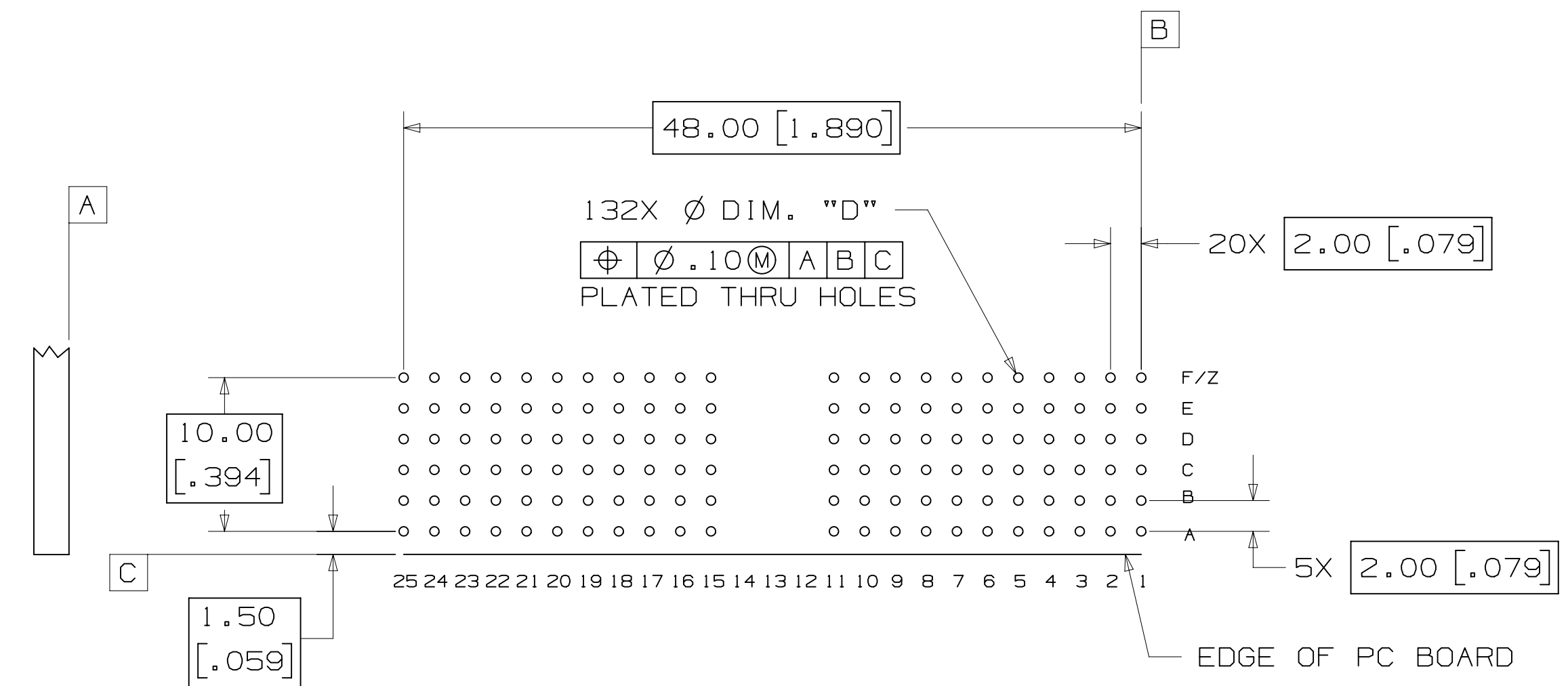
78-5100-2533-7
 B
 12/4/2014 2:00 PM UTC-06:00
 1

3M™ ULTRA HARD METRIC (UHM) PRESS-FIT SOCKET CONNECTORS, 5-ROW
 FOR 2MM HARD METRIC APPLICATIONS



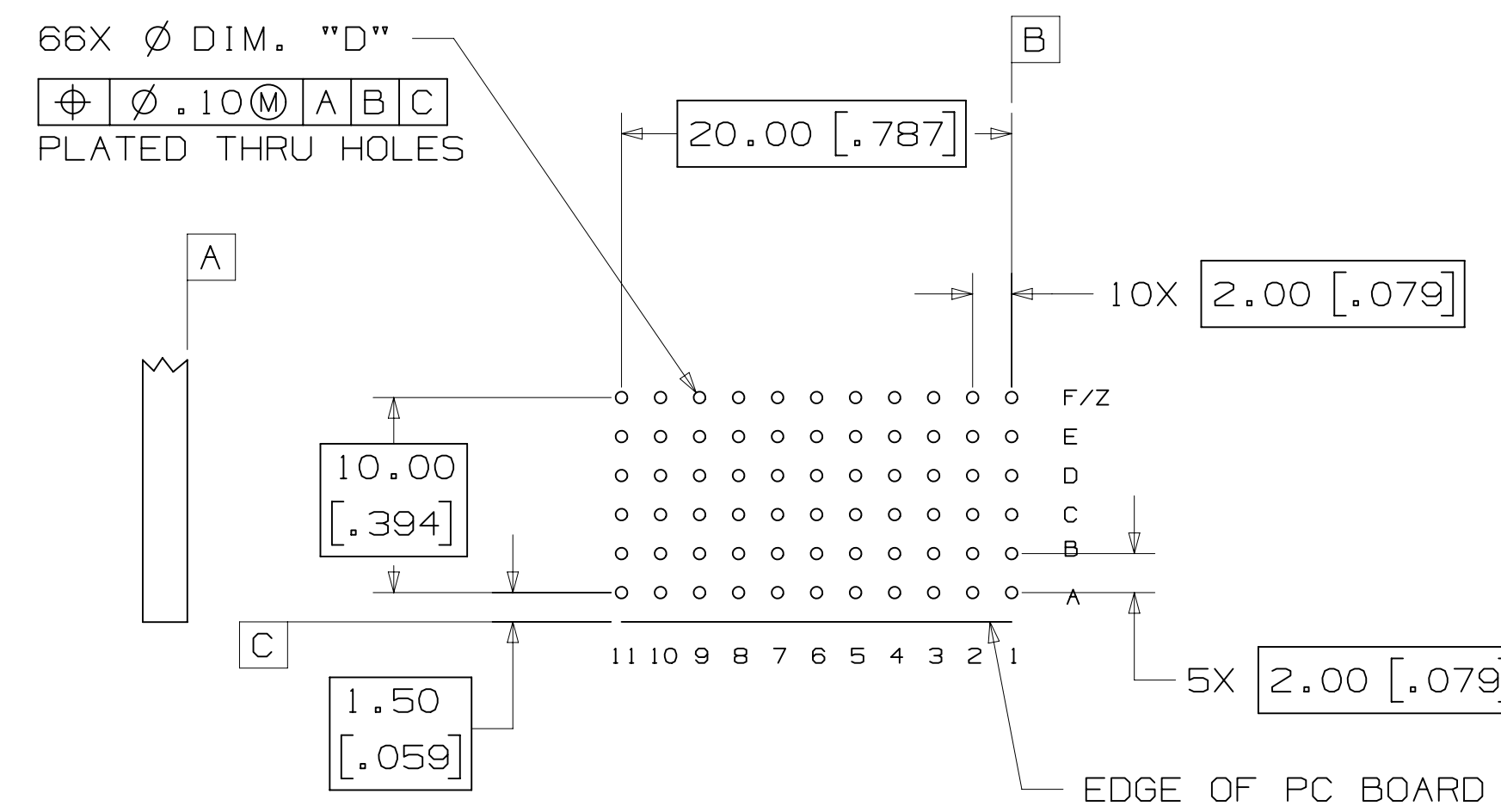
RECOMMENDED HOLE PATTERN FOR UHM-SXXXB0-5AP1
 CONTAINS NO VIAS IN EVEN POSITIONS ON ROW F/Z

- UHM-S055BX-5AP1-XXXXX
- UHM-S095BX-5AP1-XXXXX
- UHM-S110BX-5AP1-XXXXX
- UHM-S125BX-5AP1-XXXXX



RECOMMENDED HOLE PATTERN FOR UHM-S110A-5AP1
 CONTAINS NO VIAS IN EVEN POSITIONS ON ROW F/Z

UHM-S110AX-5AP1-XXXXX



RECOMMENDED HOLE PATTERN FOR UHM-S055CX-5AP1
 CONTAINS NO VIAS IN EVEN POSITIONS ON ROW F/Z

- UHM-S055CLX-5AP1-XXXXX
- UHM-S055CRX-5AP1-XXXXX

RECOMMENDED PCB MOUNTING HOLE PATTERN
 (VIEWED FROM COMPONENT SIDE)

| HOLE PLATING TABLE | | | | |
|--------------------|-------------------------|-------------------------|-------------------------|-------------------------|
| HOLE | (FINISHED HOLE) | CU THICKNESS | SnPb THICKNESS | DRILLED HOLE DIA. |
| DIM. "D" | .550-.650 [.0217-.0256] | .025-.045 [.0010-.0018] | .008-.018 [.0003-.0007] | .686-.727 [.0270-.0286] |

| | | | | | | |
|---------------------------------|---------------|----------------------------|------|----------------------------|------|------|
| DESIGN REFERENCE | NEXT ASSEMBLY | REV | ECO | ISSUE DATE AND DESCRIPTION | DRFT | CHKD |
| | | | | | | |
| APPROVED | DATE | APPROVED | DATE | DATE | | |
| | | | | | | |
| DIVISION | | DIVISION CODE | | DATE | | |
| Interconnect Solutions | | ISD | | | | |
| DO NOT SCALE DRAWING | SCALE 3/1 | TOLERANCES EXCEPT AS NOTED | | DATE | | |
| THIRD ANGLE PROJECTION | | INCHES | | DATE | | |
| INTERPRET PER ASME Y14.5 - 2009 | | MILLIMETERS | | DATE | | |
| MAX SURFACE ROUGHNESS | | INCHES | | DATE | | |
| SURFACES | | MILLIMETERS | | DATE | | |
| MARKED ONLY | | ANGLES | | DATE | | |
| | | | | DATE | | |

| | | | | |
|--|-------|--------------|-----|----|
| B | 58359 | DEC 04, 2014 | JNC | TS |
| REMOVE MKT FEATURES & WITHSTANDING VOLTAGE WAS 750 | | | | |
| A | 41080 | MAY 24, 2012 | JNC | TS |
| PRODUCTION RELEASE | | | | |

| | | | |
|---|--|---|--|
| | | © 3M COPYRIGHT 2012 This document and the information it contains are 3M property and may not be reproduced or further distributed without 3M permission, or used or disclosed other than for 3M authorized purposes. All rights reserved. | |
| TITLE UHM PRESS-FIT SOCKET, 5-ROW, CONNECTORS | | CAGE NUMBER D 78-5100-2533-7 | |
| MODEL | | REV. B | |

78-5100-2533-7
 DRAWING NUMBER
 B
 REVISION
 A
 12/4/2014 2:00 PM UTC-06:00
 Imaged: B.1.12/4/2014 2:00 PM UTC-06:00