



Chipsmall Limited consists of a professional team with an average of over 10 year of expertise in the distribution of electronic components. Based in Hongkong, we have already established firm and mutual-benefit business relationships with customers from,Europe,America and south Asia,supplying obsolete and hard-to-find components to meet their specific needs.

With the principle of “Quality Parts,Customers Priority,Honest Operation,and Considerate Service”,our business mainly focus on the distribution of electronic components. Line cards we deal with include Microchip,ALPS,ROHM,Xilinx,Pulse,ON,Everlight and Freescale. Main products comprise IC,Modules,Potentiometer,IC Socket,Relay,Connector.Our parts cover such applications as commercial,industrial, and automotives areas.

We are looking forward to setting up business relationship with you and hope to provide you with the best service and solution. Let us make a better world for our industry!



## Contact us

Tel: +86-755-8981 8866 Fax: +86-755-8427 6832

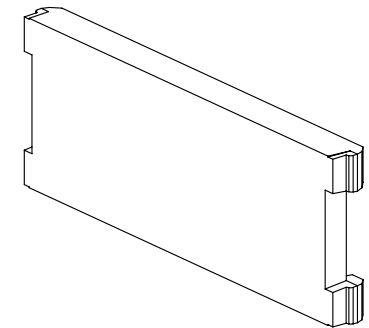
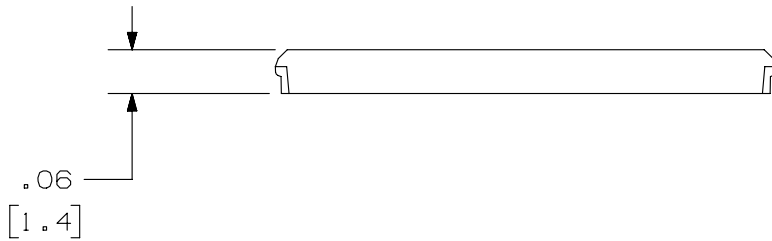
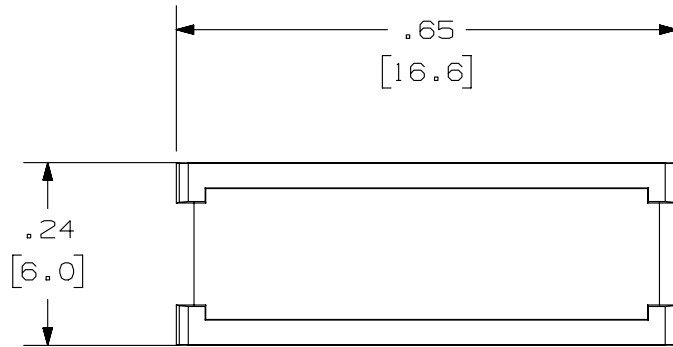
Email & Skype: info@chipsmall.com Web: www.chipsmall.com

Address: A1208, Overseas Decoration Building, #122 Zhenhua RD., Futian, Shenzhen, China



THIS COPY IS PROVIDED ON A RESTRICTED BASIS AND IS NOT TO BE USED IN ANY WAY DETRIMENTAL TO THE INTERESTS OF PANDUIT CORP.

PANDUIT P/N	WEIGHT
UILC1**-X	.003 LB/10 PCS (1.3 g/10 PCS)
UILC1**-L	.014 LB/50 PCS (6.5 g/50 PCS)



NOTES:

- SEE CURRENT CATALOG FOR ADDITIONAL PART NUMBER SUFFIXES TO INDICATE COLOR.
- SEE CATALOG FOR COMPLETE LIST OF PARTS APPLICABLE FOR USE WITH THIS PART.
- DIMENSIONS IN [ ] ARE IN METRIC.

PART NUMBER		UILC1**-X, UILC1**-L	
TITLE			
ULTIMATE ID 1 POSITION REPLACEMENT SCREW COVER			
CUSTOMER DRAWING			
ITEM REVISION NAME		M01283BA/05	
DATASET FILE NAME		M01283BA_DC/05B	
UNLESS OTHERWISE SPECIFIED, DIMENSIONAL TOLERANCES ARE: IN [mm]		MATERIAL:	
.X ± .xxx ± .010 [ .3 ]		CLEAR: POLYSTYRENE	
.XX ± .03 [ .8 ]		OTHER COLORS: ABS	
ANGLES ±		DRAWING NUMBER:	
THIRD ANGLE PROJECTION		01283-05	
DRAWN BY	DATE	CHK	SCALE
JSP	11-26-02	MJD	NONE
SHT 1 OF 1			SIZE
			A

REV	DATE	BY	CHK	APR	DESCRIPTION	ECN
1	5/16/14	JSP	REFR	MMR	A. REVISED DRAWING TITLE BLOCK.	01283-05
R	11-26-02	JSP	MJD	MJD	RELEASED TO PRODUCTION	01283-05

D10100DA/14

2

1

2

1