



Chipsmall Limited consists of a professional team with an average of over 10 year of expertise in the distribution of electronic components. Based in Hongkong, we have already established firm and mutual-benefit business relationships with customers from,Europe,America and south Asia,supplying obsolete and hard-to-find components to meet their specific needs.

With the principle of “Quality Parts,Customers Priority,Honest Operation,and Considerate Service”,our business mainly focus on the distribution of electronic components. Line cards we deal with include Microchip,ALPS,ROHM,Xilinx,Pulse,ON,Everlight and Freescale. Main products comprise IC,Modules,Potentiometer,IC Socket,Relay,Connector.Our parts cover such applications as commercial,industrial, and automotives areas.

We are looking forward to setting up business relationship with you and hope to provide you with the best service and solution. Let us make a better world for our industry!



Contact us

Tel: +86-755-8981 8866 Fax: +86-755-8427 6832

Email & Skype: info@chipsmall.com Web: www.chipsmall.com

Address: A1208, Overseas Decoration Building, #122 Zhenhua RD., Futian, Shenzhen, China





PAN-WAY MINI-COM
SLOPED SNAP-ON FACEPLATES

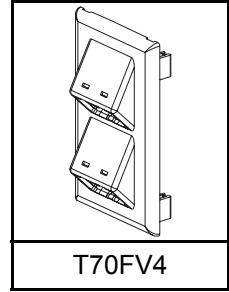
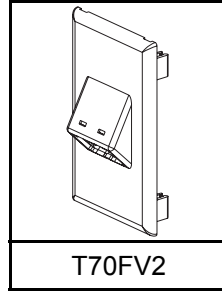
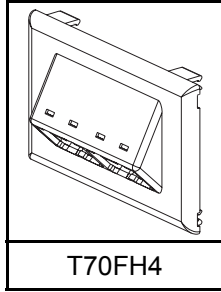
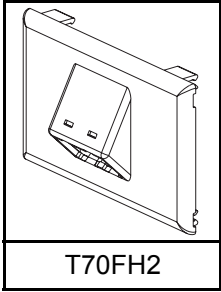
PART NUMBERS: T70FH2, T70FH4, T70FV2, T70FV4, UIT70FH2, UIT70FH4, UIT70FV2, UIT70FV4
OF70FH2, OF70FH4, OF70FV2, OF70FV4

FOR USE WITH PANDUIT
T-70, TWIN-70, TE70, TG-70 AND OFCR70
SURFACE RACEWAY ROUTING SYSTEMS
AND FAST-SNAP JUNCTION BOXES

INSTALLATION INSTRUCTIONS

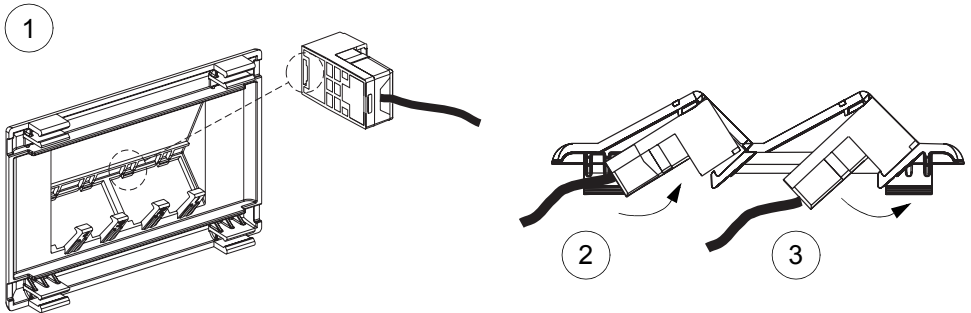
©Panduit Corp. 2008

Printed In USA

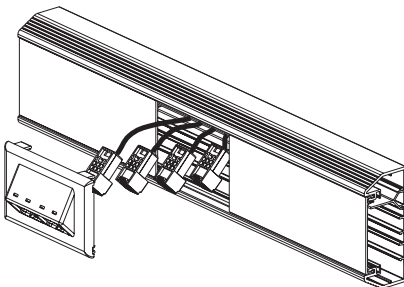


NOTE: PANDUIT ICON PART NUMBERS CIP**-C AND CID**-C CAN BE USED WITH THE ABOVE FACEPLATES.

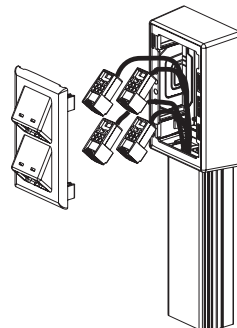
TYPICAL INSTALLATION



T-70 APPLICATION

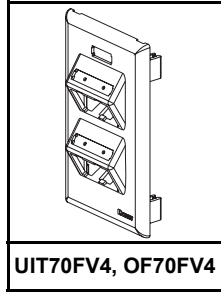
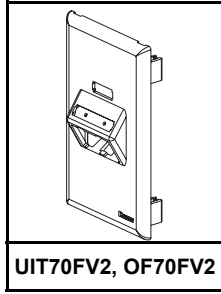
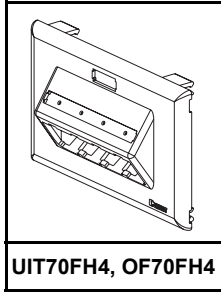
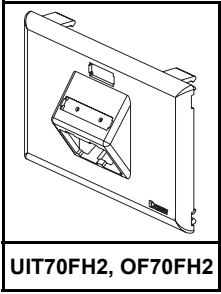


FAST-SNAP JUNCTION BOX APPLICATION



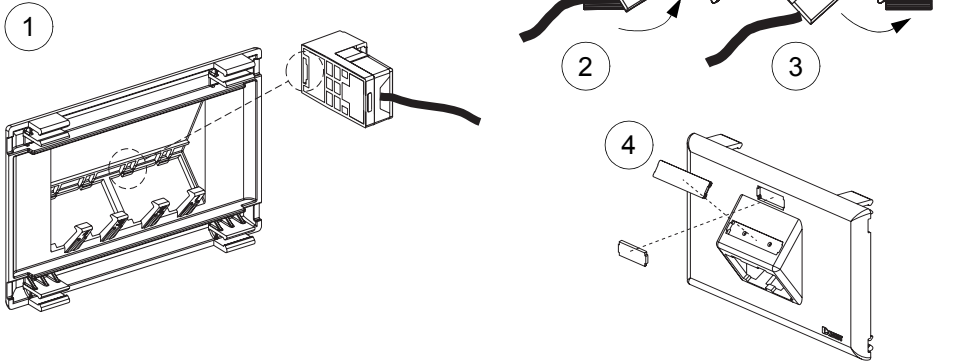
For Technical Assistance, Call: 800-777-3300

INSTALLATION INSTRUCTIONS

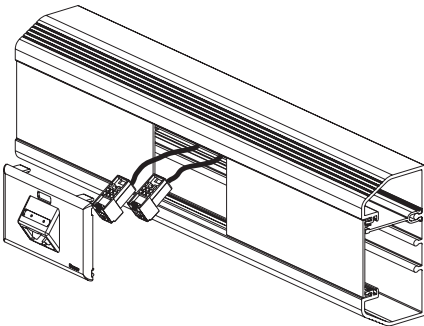


NOTE: PANDUIT ICON PART NUMBERS UICIB**, UICIP** AND UICID** CAN BE USED WITH THE ABOVE FACEPLATES.

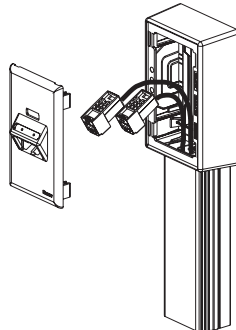
TYPICAL INSTALLATION



TG-70 APPLICATION



FAST-SNAP JUNCTION BOX APPLICATION



Instruction Sheet RW71E

WORLDWIDE SUBSIDIARIES AND SALES OFFICES

17301 Ridgeland Avenue
Tinley Park, IL 60477-3901
Web Site: www.panduit.com



Fax: 708-532-1811
Technical Support: 800-777-3300