



Chipsmall Limited consists of a professional team with an average of over 10 year of expertise in the distribution of electronic components. Based in Hongkong, we have already established firm and mutual-benefit business relationships with customers from,Europe,America and south Asia,supplying obsolete and hard-to-find components to meet their specific needs.

With the principle of "Quality Parts,Customers Priority,Honest Operation,and Considerate Service",our business mainly focus on the distribution of electronic components. Line cards we deal with include Microchip,ALPS,ROHM,Xilinx,Pulse,ON,Everlight and Freescale. Main products comprise IC,Modules,Potentiometer,IC Socket,Relay,Connector.Our parts cover such applications as commercial,industrial, and automotives areas.

We are looking forward to setting up business relationship with you and hope to provide you with the best service and solution. Let us make a better world for our industry!



Contact us

Tel: +86-755-8981 8866 Fax: +86-755-8427 6832

Email & Skype: info@chipsmall.com Web: www.chipsmall.com

Address: A1208, Overseas Decoration Building, #122 Zhenhua RD., Futian, Shenzhen, China

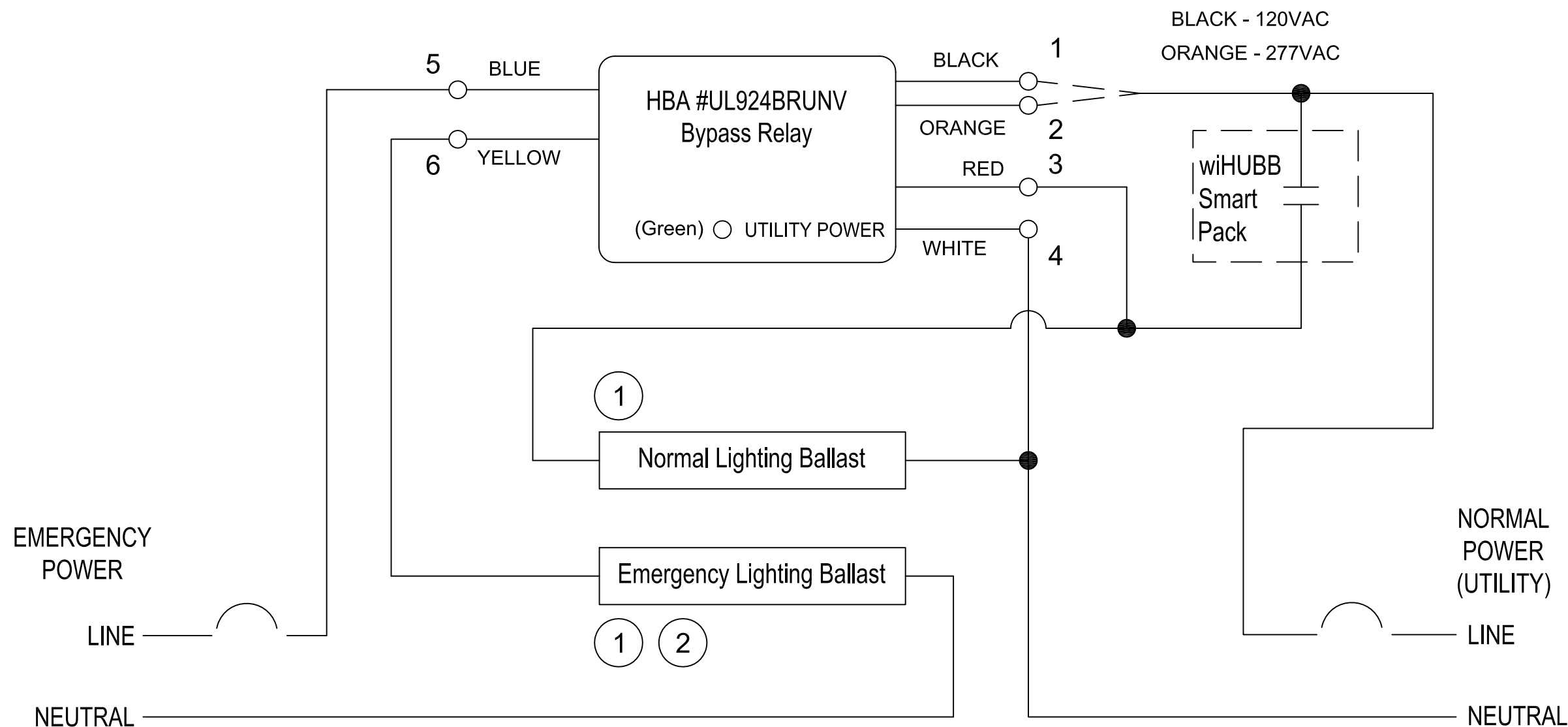




- ① Switched with Normal Load when Normal Power is available
- ② Held ON when Normal Power is not available and Emergency Power is available

HBA #UL924BRUNV

For Use with LX or CX Relay Panels where Emergency Lighting should be held on during a utility power failure and controlled by panel while normal power is available and there is no dedicated relay in the in the panel controlling the Emergency Circuit



REV	REVISION DESCRIPTION	DATE	wiHUBB SMART PACKS WITH UL924BRUNV		#UL924BRUNV
			Hubbell Building Automation (888) 698-3242 (512) 450-1100		1
			9601 Dessau Rd. - Bldg 1 Austin, Tx 78745		ADDRESS STREET CITY, STATE
			THIS DOCUMENT AND SPECIFICATIONS DESCRIBED WITHIN ARE THE EXCLUSIVE PROPERTY OF HUBBELL BUILDING AUTOMATION ISSUED IN THE STRICTEST CONFIDENCE, AND SHALL NOT BE REPRODUCED, COPIED OR USED WITHOUT PRIOR WRITTEN PERMISSION.		STATUS DETAIL
			DRAWN: AMJ REVIEWED: XXX DATE: 10-22-12		1