



Chipsmall Limited consists of a professional team with an average of over 10 year of expertise in the distribution of electronic components. Based in Hongkong, we have already established firm and mutual-benefit business relationships with customers from,Europe,America and south Asia,supplying obsolete and hard-to-find components to meet their specific needs.

With the principle of “Quality Parts,Customers Priority,Honest Operation,and Considerate Service”,our business mainly focus on the distribution of electronic components. Line cards we deal with include Microchip,ALPS,ROHM,Xilinx,Pulse,ON,Everlight and Freescale. Main products comprise IC,Modules,Potentiometer,IC Socket,Relay,Connector.Our parts cover such applications as commercial,industrial, and automotives areas.

We are looking forward to setting up business relationship with you and hope to provide you with the best service and solution. Let us make a better world for our industry!



## Contact us

Tel: +86-755-8981 8866 Fax: +86-755-8427 6832

Email & Skype: info@chipsmall.com Web: www.chipsmall.com

Address: A1208, Overseas Decoration Building, #122 Zhenhua RD., Futian, Shenzhen, China





# ULN2065B, ULN2067B ULN2069B, ULN2075B

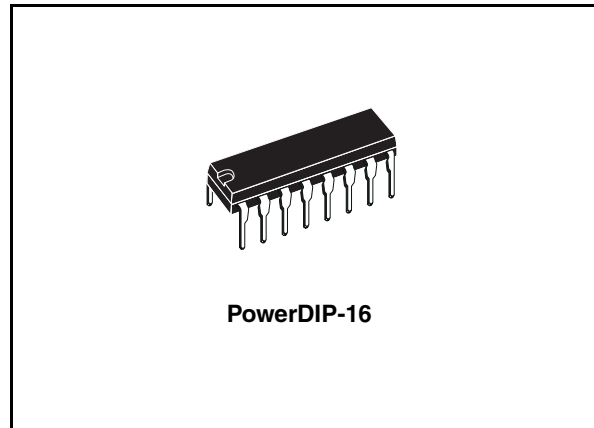
80 V - 1.5 A quad Darlington switches

## Features

- Output current to 1.5 A for each Darlington
- Minimum breakdown 80 V
- Sustaining voltage at least 35 V
- Integral suppression diodes (ULN2065B, ULN2067B and ULN2069B)
- Isolated Darlington pinout (ULN2075B)
- Versions compatible with all popular logic families

## Description

Designed to interface logic to a wide variety of high current, high voltage loads, these devices each contain four NPN Darlington switches delivering up to 1.5 A with a specified minimum breakdown of 50 V and a sustaining voltage of 35 V measured at 100 mA. The ULN2067B and ULN2069B contain integral suppression diodes for inductive loads have common emitters. The ULN2075B feature isolated Darlington pinouts and is intended for applications such as emitter



follower configurations.

Inputs of the ULN2065B, ULN2069B and ULN2075B are compatible with popular 5 V logic families and the ULN2067B is compatible with 6-15 V CMOS and PMOS. Type ULN2069B includes a pre-driver stage to reduce loading on the control logic.

Table 1. Device summary

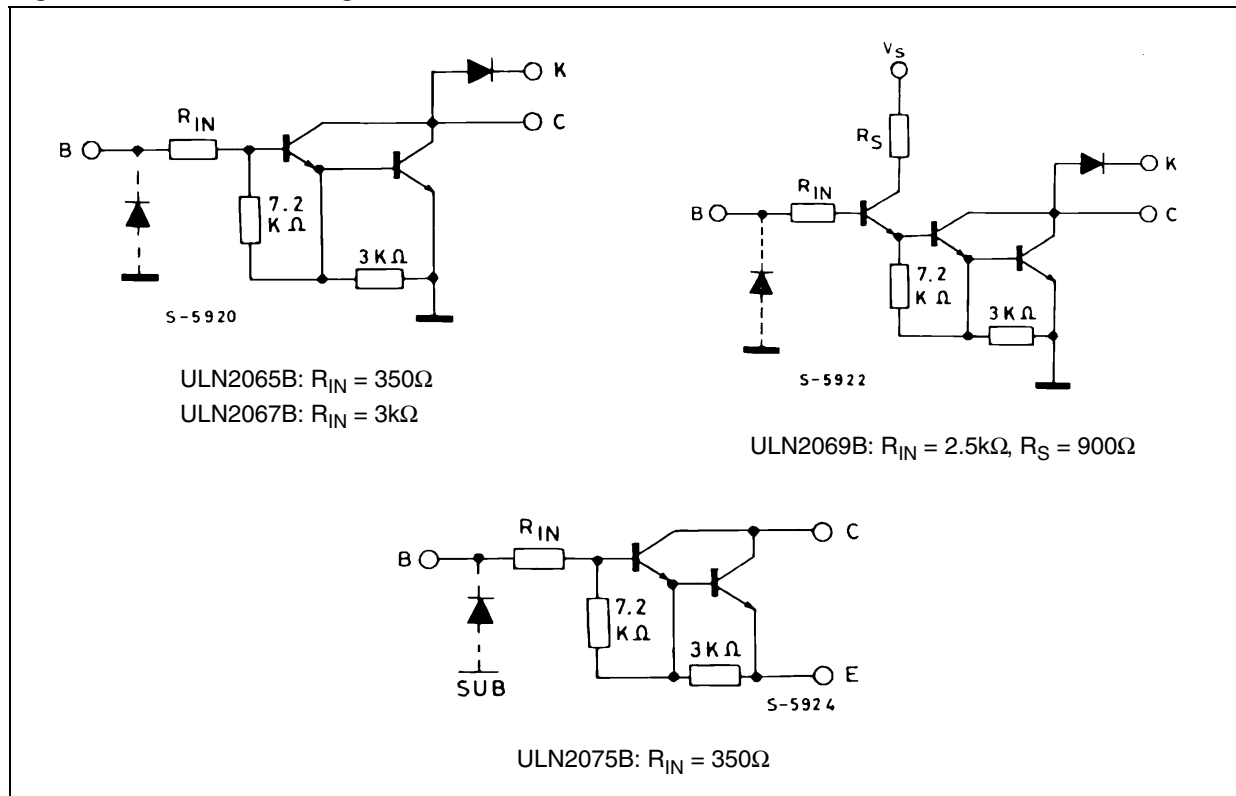
| Part numbers | Package     |
|--------------|-------------|
| ULN2065B     | PowerDIP-16 |
| ULN2067B     | PowerDIP-16 |
| ULN2069B     | PowerDIP-16 |
| ULN2075B     | PowerDIP-16 |

# Contents

|   |                                  |    |
|---|----------------------------------|----|
| 1 | Diagram .....                    | 3  |
| 2 | Pin configuration .....          | 4  |
| 3 | Maximum ratings .....            | 5  |
| 4 | Electrical characteristics ..... | 6  |
| 5 | Test circuits .....              | 7  |
| 6 | Mounting instructions .....      | 9  |
| 7 | Package mechanical data .....    | 10 |
| 8 | Revision history .....           | 12 |

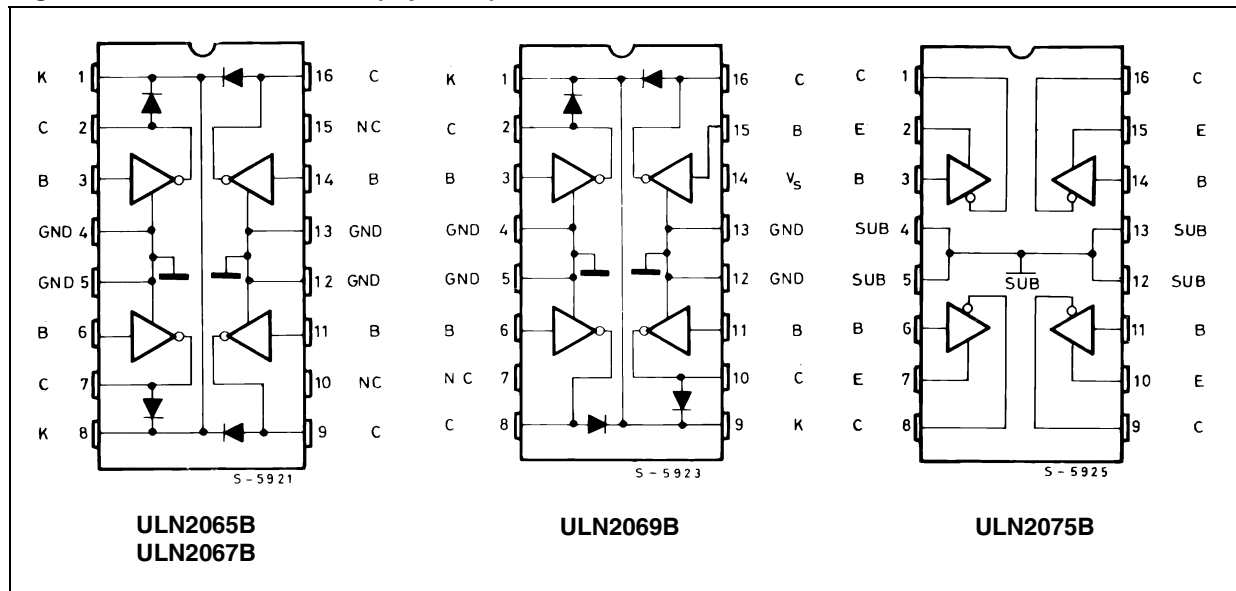
# 1 Diagram

Figure 1. Schematic diagrams



## 2 Pin configuration

Figure 2. Pin connections (top view)



### 3 Maximum ratings

**Table 2. Absolute maximum ratings**

| Symbol        | Parameter                                      | Value       | Unit |
|---------------|--|-------------|------|
| $V_{CEX}$     | Output voltage                                 | 80          | V    |
| $V_{CE(SUS)}$ | Output sustaining voltage                      | 50          | V    |
| $I_O$         | Output current                                 | 1.75        | A    |
| $V_I$         | Input voltage ULN2075B                         | 60          | V    |
|               | Input voltage ULN2067B                         | 30          |      |
|               | Input voltage ULN2065B - ULN2069B              | 15          |      |
| $I_I$         | Input current                                  | 25          | mA   |
| $V_S$         | Supply voltage for ULN2068B                    | 10          | V    |
| $P_{TOT}$     | Power dissipation at $T_{PINS} = 90\text{ °C}$ | 4.3         | W    |
|               | Power dissipation at $T_{AMB} = 70\text{ °C}$  | 1           |      |
| $T_{AMB}$     | Operating ambient temperature range            | - 20 to 85  | °C   |
| $T_{STG}$     | Storage temperature                            | - 55 to 150 | °C   |



## 4 Electrical characteristics

**Table 3. Electrical characteristics** ( $T_A = 25^\circ\text{C}$  unless otherwise specified).

| Symbol        | Parameter   | Test condition  | Min.       | Typ. | Max.              | Unit          |
|---------------|---|---|------------|------|-------------------|---------------|
| $I_{CEX}$     | Output leakage current<br>( <i>Figure 3</i> )               | $V_{CE} = 80\text{V}$ , $T_A = 25^\circ\text{C}$  |            |      | 100               | $\mu\text{A}$ |
|               |   | $V_{CE} = 80\text{V}$ , $T_A = 70^\circ\text{C}$  |            |      | 500               |               |
| $V_{CE(SUS)}$ | Collector-emitter sustaining voltage<br>( <i>Figure 4</i> ) | $I_C = 100\text{mA}$ , $V_I = 0.4\text{V}$  | 50         |      |                   | V             |
| $V_{CE(SAT)}$ | Collector-emitter saturation voltage<br>( <i>Figure 5</i> ) | $I_C = 500\text{mA}$ , $I_B = 625\mu\text{A}$   |            |      | 1.1               | V             |
|               |   | $I_C = 750\text{mA}$ , $I_B = 935\mu\text{A}$   |            |      | 1.2               |               |
|               |   | $I_C = 1\text{A}$ , $I_B = 1.25\text{mA}$   |            |      | 1.3               |               |
|               |   | $I_C = 1.25\text{A}$ , $I_B = 2\text{mA}$   |            |      | 1.4               |               |
|               |   | $I_C = 1.5\text{A}$ , $I_B = 2.25\text{mA}$   |            |      | 1.5               |               |
| $I_{I(ON)}$   | Input current<br>( <i>Figure 6</i> )                        | for ULN2065B and ULN2075B<br>$V_I = 2.4\text{V}$<br>$V_I = 3.75\text{V}$  | 1.4<br>3.3 |      | 4.3<br>9.6        | mA            |
|               |   | for ULN2067B,<br>$V_I = 5\text{V}$<br>$V_I = 12\text{V}$  | 0.6<br>1.7 |      | 1.8<br>5.2        |               |
|               |   | for ULN2069B,<br>$V_I = 2.75\text{V}$<br>$V_I = 3.75\text{V}$   |            |      | 0.55<br>1.0       |               |
| $V_{I(ON)}$   | Input voltage<br>( <i>Figure 7</i> )                        | $V_{CE} = 2\text{V}$ , $I_C = 1\text{A}$<br>ULN2065B, ULN2075B,<br>ULN2067B                                       |            |      | 2<br>6.5          | V             |
|               |   | $V_{CE} = 2\text{V}$ , $I_C = 1.5\text{A}$<br>ULN2065B, ULN2075B,<br>ULN2067B<br>ULN2069B                         |            |      | 2.5<br>10<br>2.75 |               |
| $I_S$         | Supply Current<br>( <i>Figure 10</i> )                      | for ULN2069B, $V_I = 2.75\text{V}$ ,<br>$I_C = 500\text{mA}$  |            |      | 6                 | mA            |
| $t_{PLH}$     | Turn-on delay time  | $0.5 V_I$ to $0.5 V_O$  |            |      | 1                 | $\mu\text{s}$ |
| $t_{PHL}$     | Turn-off delay time   | $0.5 V_I$ to $0.5 V_O$  |            |      | 1.5               | $\mu\text{s}$ |
| $I_R$         | Clamp diode leakage current<br>( <i>Figure 8</i> )          | For ULN2065B - ULN2067B -<br>ULN2069B, $V_R = 50\text{V}$<br>$T_A = 25^\circ\text{C}$<br>$T_A = 70^\circ\text{C}$ |            |      | 50<br>100         | $\mu\text{A}$ |
| $V_F$         | Clamp diode forward voltage<br>( <i>Figure 9</i> )          | For ULN2065B - ULN2067B -<br>ULN2069B<br>$I_F = 1\text{A}$<br>$I_F = 1.5\text{A}$                                 |            |      | 1.75<br>2         | V             |

Note: Input voltage is with reference to the substrate (no connection to any other pins) for the ULN2075B reference is ground for all other types.

Note: 1 Input current may be limited by maximum allowable input voltage.

## 5 Test circuits

Figure 3. Output leakage current

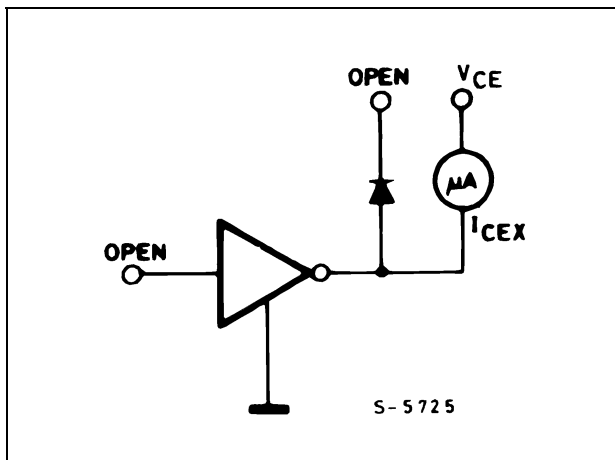


Figure 4. Collector-emitter sustaining voltage

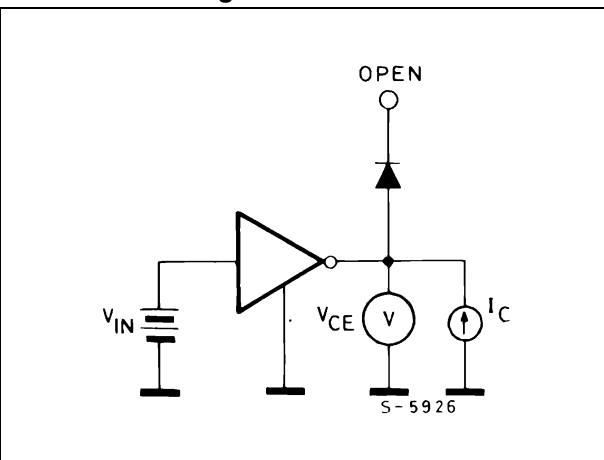


Figure 5. Collector-emitter saturation voltage Figure 6. Input current (ON)

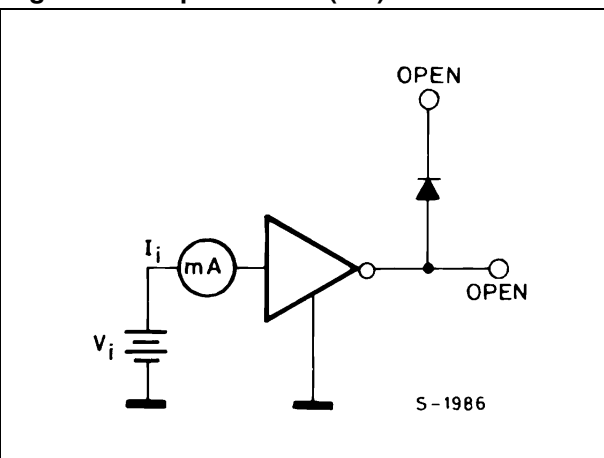
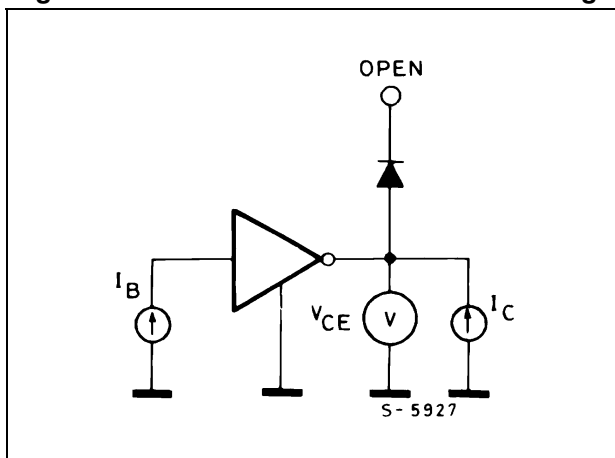


Figure 7. Input voltage

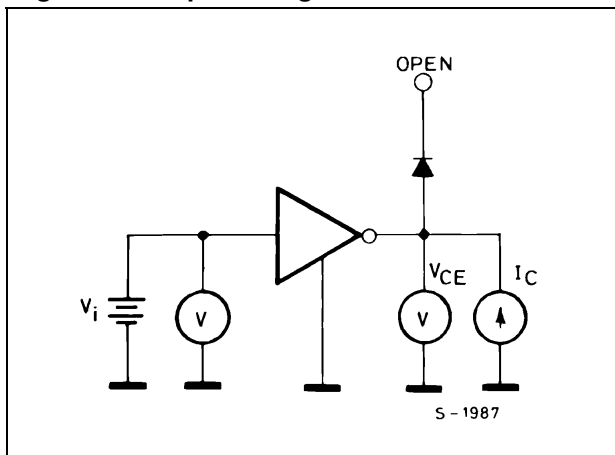


Figure 8. Clamp diode leakage current

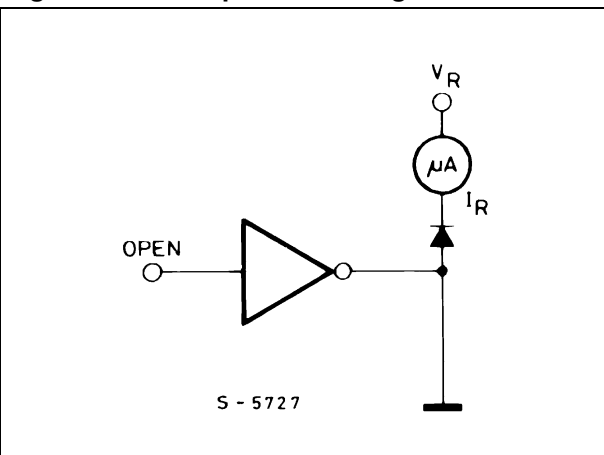




Figure 9. Clamp diode forward voltage

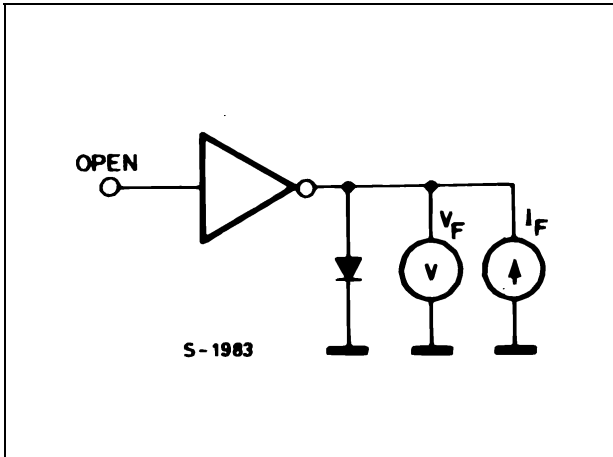


Figure 10. Supply current

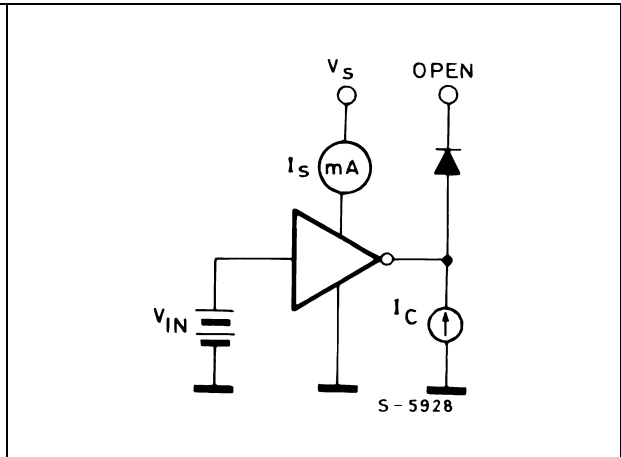


Figure 11. Input current as a function of input voltage

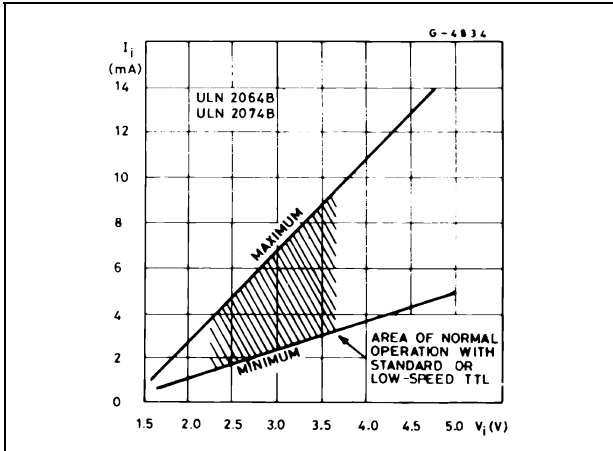


Figure 12. Input current as a function of input voltage

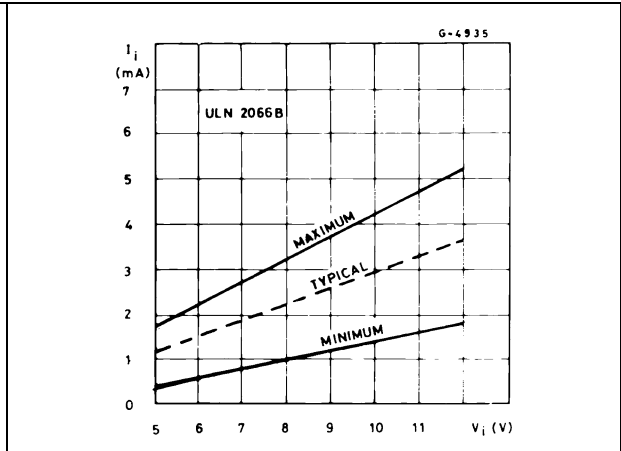
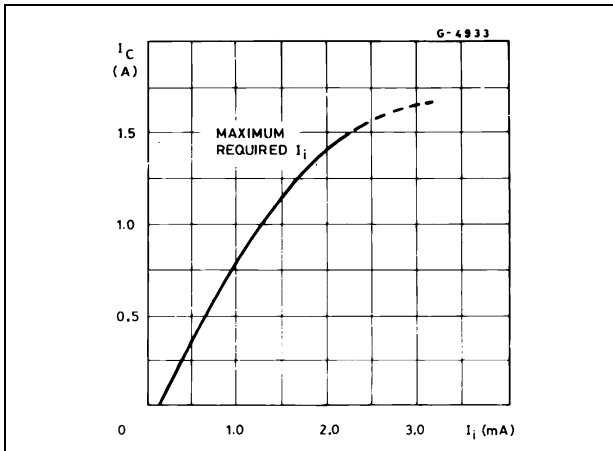


Figure 13. Collector current as a function of input current



## 6 Mounting instructions

The  $R_{thJA}$  can be reduced by soldering the GND pins to a suitable copper area of the printed circuit board (Figure 14) or to an external heatsink (Figure 15).

The diagram of Figure 16 shows the maximum dissipated power  $P_{TOT}$  and the  $R_{thJA}$  as a function of the side "α" of two equal square copper areas having a thickness of 35 μ (1.4 mils).

During soldering the pins temperature must not exceed 260 °C and the soldering time must not be longer than 12 seconds.

The external heatsink or printed circuit copper area must be connected to electrical ground.

Figure 14. Example of P.C. board area which is used as heatsink

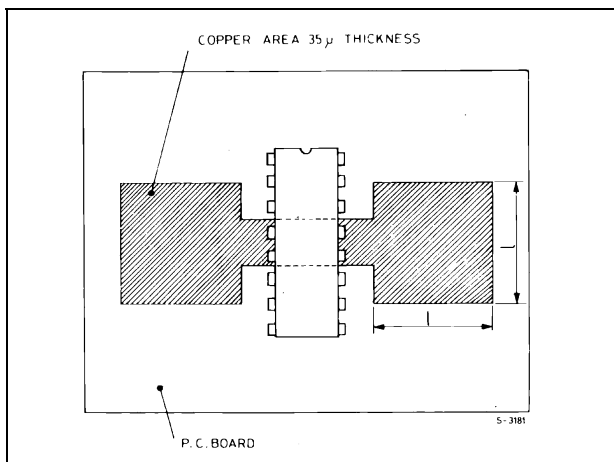


Figure 15. External heatsink mounting example

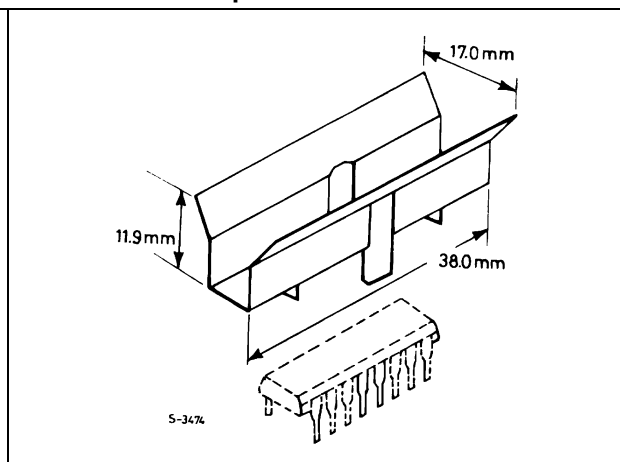


Figure 16. Maximum dissipated power and junction to ambient thermal resistance vs. side "α"

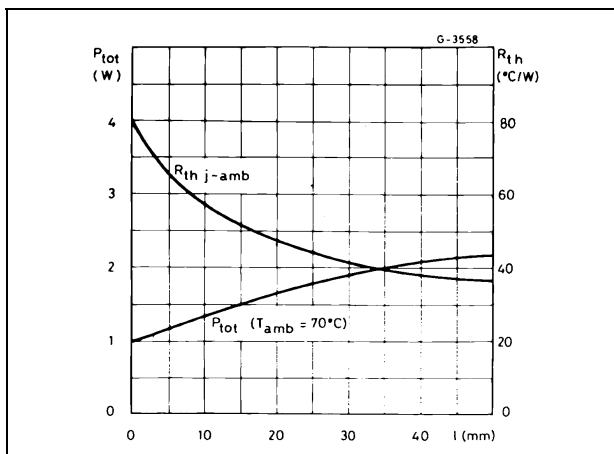
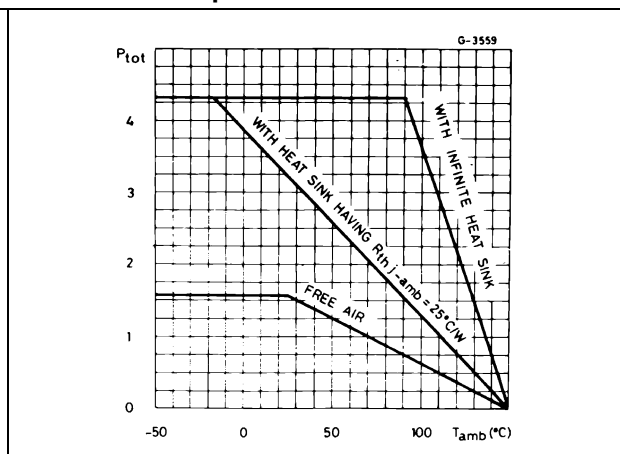


Figure 17. Maximum allowable power dissipation vs. ambient temperature

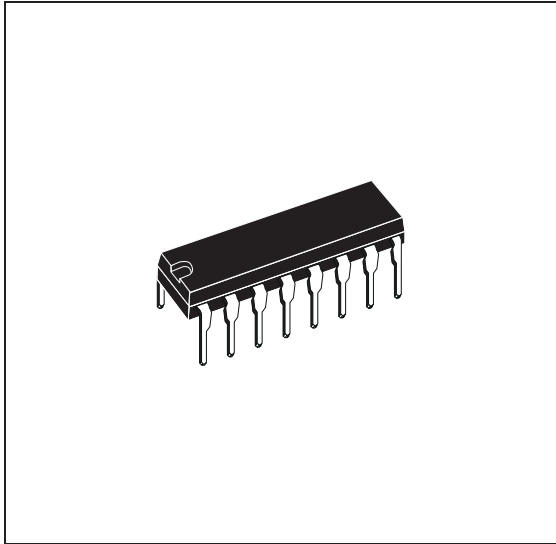


## 7 Package mechanical data

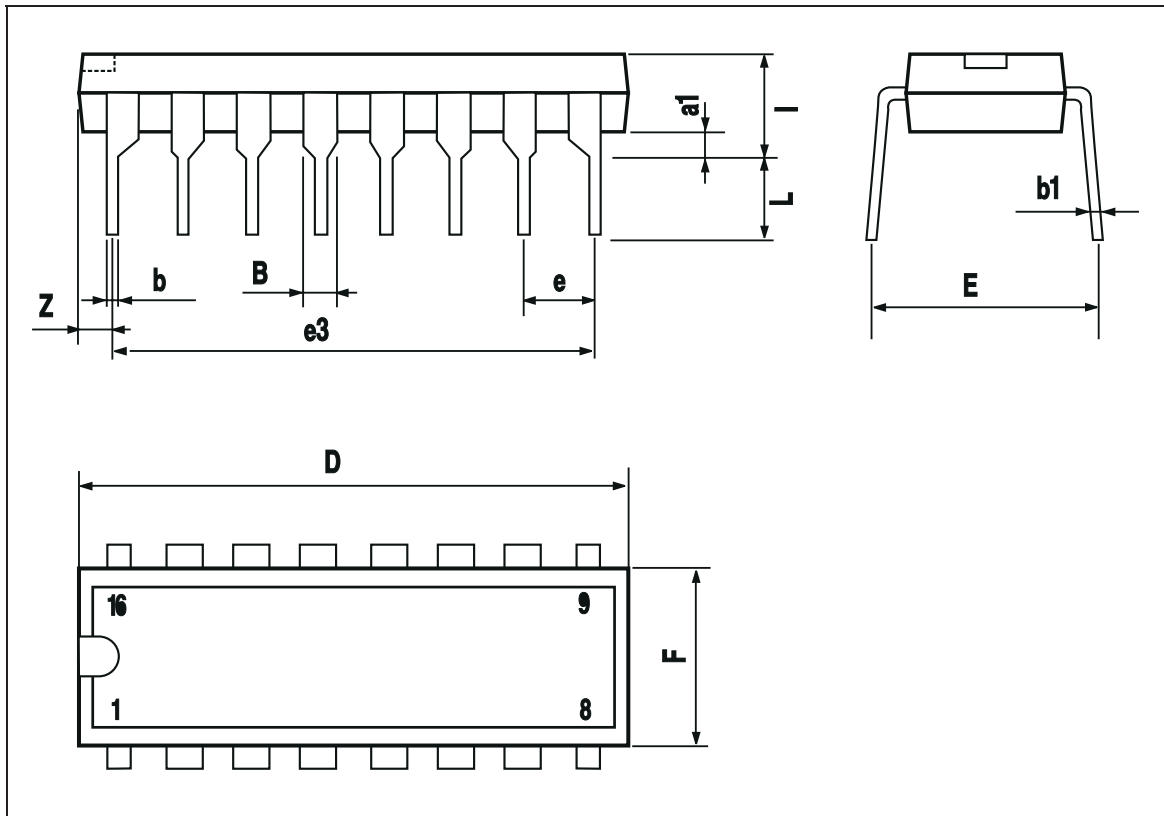
In order to meet environmental requirements, ST offers these devices in different grades of ECOPACK® packages, depending on their level of environmental compliance. ECOPACK® specifications, grade definitions and product status are available at: [www.st.com](http://www.st.com). ECOPACK® is an ST trademark.

| Dim. | mm   |       |      | inch. |       |       |
|------|------|-------|------|-------|-------|-------|
|      | Min. | Typ.  | Max. | Min.  | Typ.  | Max.  |
| a1   | 0.51 |       |      | 0.020 |       |       |
| B    | 0.85 |       | 1.40 | 0.033 |       | 0.055 |
| b    |      | 0.50  |      |       | 0.020 |       |
| b1   | 0.38 |       | 0.50 | 0.015 |       | 0.020 |
| D    |      |       | 20.0 |       |       | 0.787 |
| E    |      | 8.80  |      |       | 0.346 |       |
| e    |      | 2.54  |      |       | 0.100 |       |
| e3   |      | 17.78 |      |       | 0.700 |       |
| F    |      |       | 7.10 |       |       | 0.280 |
| I    |      |       | 5.10 |       |       | 0.201 |
| L    |      | 3.30  |      |       | 0.130 |       |
| Z    |      |       | 1.27 |       |       | 0.050 |

**OUTLINE AND MECHANICAL DATA**



**PowerDIP-16**



## 8 Revision history

Table 4. Document revision history

| Date        | Revision | Changes                                   |
|-------------|----------|---|
| 12-Sep-2003 | 1        | First release.                            |
| 22-Jan-2009 | 2        | Added <a href="#">Table 1 on page 1</a> . |

**Please Read Carefully:**

Information in this document is provided solely in connection with ST products. STMicroelectronics NV and its subsidiaries ("ST") reserve the right to make changes, corrections, modifications or improvements, to this document, and the products and services described herein at any time, without notice.

All ST products are sold pursuant to ST's terms and conditions of sale.

Purchasers are solely responsible for the choice, selection and use of the ST products and services described herein, and ST assumes no liability whatsoever relating to the choice, selection or use of the ST products and services described herein.

No license, express or implied, by estoppel or otherwise, to any intellectual property rights is granted under this document. If any part of this document refers to any third party products or services it shall not be deemed a license grant by ST for the use of such third party products or services, or any intellectual property contained therein or considered as a warranty covering the use in any manner whatsoever of such third party products or services or any intellectual property contained therein.

**UNLESS OTHERWISE SET FORTH IN ST'S TERMS AND CONDITIONS OF SALE ST DISCLAIMS ANY EXPRESS OR IMPLIED WARRANTY WITH RESPECT TO THE USE AND/OR SALE OF ST PRODUCTS INCLUDING WITHOUT LIMITATION IMPLIED WARRANTIES OF MERCHANTABILITY, FITNESS FOR A PARTICULAR PURPOSE (AND THEIR EQUIVALENTS UNDER THE LAWS OF ANY JURISDICTION), OR INFRINGEMENT OF ANY PATENT, COPYRIGHT OR OTHER INTELLECTUAL PROPERTY RIGHT.**

**UNLESS EXPRESSLY APPROVED IN WRITING BY AN AUTHORIZED ST REPRESENTATIVE, ST PRODUCTS ARE NOT RECOMMENDED, AUTHORIZED OR WARRANTED FOR USE IN MILITARY, AIR CRAFT, SPACE, LIFE SAVING, OR LIFE SUSTAINING APPLICATIONS, NOR IN PRODUCTS OR SYSTEMS WHERE FAILURE OR MALFUNCTION MAY RESULT IN PERSONAL INJURY, DEATH, OR SEVERE PROPERTY OR ENVIRONMENTAL DAMAGE. ST PRODUCTS WHICH ARE NOT SPECIFIED AS "AUTOMOTIVE GRADE" MAY ONLY BE USED IN AUTOMOTIVE APPLICATIONS AT USER'S OWN RISK.**

Resale of ST products with provisions different from the statements and/or technical features set forth in this document shall immediately void any warranty granted by ST for the ST product or service described herein and shall not create or extend in any manner whatsoever, any liability of ST.

ST and the ST logo are trademarks or registered trademarks of ST in various countries.

Information in this document supersedes and replaces all information previously supplied.

The ST logo is a registered trademark of STMicroelectronics. All other names are the property of their respective owners.

© 2009 STMicroelectronics - All rights reserved

STMicroelectronics group of companies

Australia - Belgium - Brazil - Canada - China - Czech Republic - Finland - France - Germany - Hong Kong - India - Israel - Italy - Japan - Malaysia - Malta - Morocco - Singapore - Spain - Sweden - Switzerland - United Kingdom - United States of America

[www.st.com](http://www.st.com)