



Chipsmall Limited consists of a professional team with an average of over 10 year of expertise in the distribution of electronic components. Based in Hongkong, we have already established firm and mutual-benefit business relationships with customers from,Europe,America and south Asia,supplying obsolete and hard-to-find components to meet their specific needs.

With the principle of "Quality Parts,Customers Priority,Honest Operation,and Considerate Service",our business mainly focus on the distribution of electronic components. Line cards we deal with include Microchip,ALPS,ROHM,Xilinx,Pulse,ON,Everlight and Freescale. Main products comprise IC,Modules,Potentiometer,IC Socket,Relay,Connector.Our parts cover such applications as commercial,industrial, and automotives areas.

We are looking forward to setting up business relationship with you and hope to provide you with the best service and solution. Let us make a better world for our industry!



Contact us

Tel: +86-755-8981 8866 Fax: +86-755-8427 6832

Email & Skype: info@chipsmall.com Web: www.chipsmall.com

Address: A1208, Overseas Decoration Building, #122 Zhenhua RD., Futian, Shenzhen, China

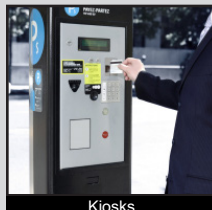
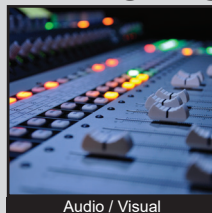


ULV4 SERIES ANTI-VANDAL SWITCH

ANTI-VANDAL SWITCHES
DETECTOR SWITCHES
DIP SWITCHES
KEYLOCK SWITCHES
NAVIGATION SWITCHES
PUSHBUTTON SWITCHES
ROCKER SWITCHES
ROTARY SWITCHES
SLIDE SWITCHES
SNAP ACTION SWITCHES
TACTILE SWITCHES
TOGGLE SWITCHES
CAP OPTIONS



APPLICATIONS / MARKETS



RoHS

SPECIFICATIONS

Electrical Rating: 3A, 250VAC
Mechanical Life: 1,000,000 cycles (momentary); 500,000 cycles (latching)
Electrical Life: 50,000 Cycles
Contact Resistance: 50mΩ
Insulation Resistance: 1000 MΩ @ 500VDC
Dielectric Strength: 2,000VAC
Operating/Storage Temperature: -20°C to 55°C
Travel: 3.2mm
Moisture Protection: IP67
Contact Arrangement: SPDT or DPDT
Actuation Force: Single Pole: 2.5N; Double Pole: 3.5N
Panel Thickness: 1-10mm
Hex Nut Torque: 5-14Nm
Mechanical Impact Protection: IK10
Agency Approvals: cURus

FEATURES & BENEFITS

- 19mm diameter panel cutout
- Dot or ring or power illumination options available
- Multiple switch functions available
- Multiple illumination voltage options
- IP67 rated
- SPDT or DPDT
- UL Certified
- Custom graphics available

PART NUMBER CONFIGURATOR

Series	Actuator	Terminal	Function	Body Finish	Actuator Finish	Contact Material	Lens Style	LED Color	Illumination Voltage
ULV4	F - Flat	2 - Solder	3 - 1P ON-ON B - 1P ON-(ON)* G - 2P ON-ON H - 2P ON-(ON)*	N - Nickel Plated S - Stainless Steel 1 - Black Anodized	N - Nickel Plated S - Stainless Steel 1 - Black Anodized	None - Silver G - Gold	None - Non-Illuminated 2 - Dot Illumination 3 - Ring, moveable with actuator 5 - Power symbol	None - Non-Illuminated 0 - White 1 - Red 2 - Orange 3 - Green 4 - Blue 5 - Yellow G - Red / Green P - Green / Yellow	None - Non-Illuminated 1 - 3V 3 - 6V 4 - 12V 5 - 24V 6 - 110V 7 - 220V

NOTES:

*() denotes function is momentary
 Call us for custom graphic options 800-867-2717

Specifications subject to change without notice



E-SWITCH®

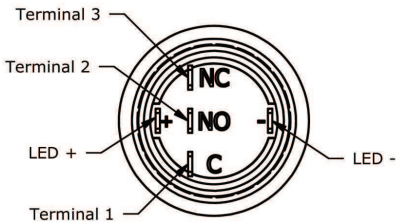
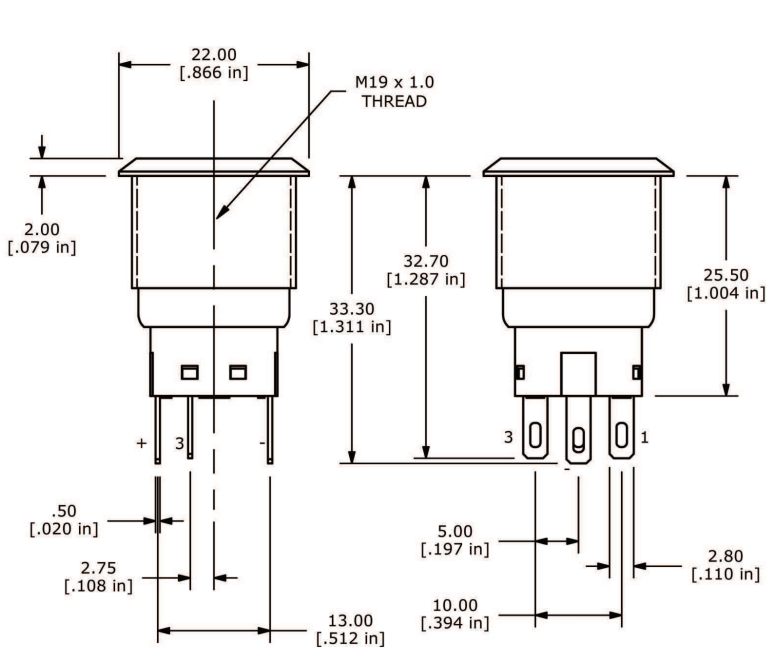
www.e-switch.com

800.867.2717

2

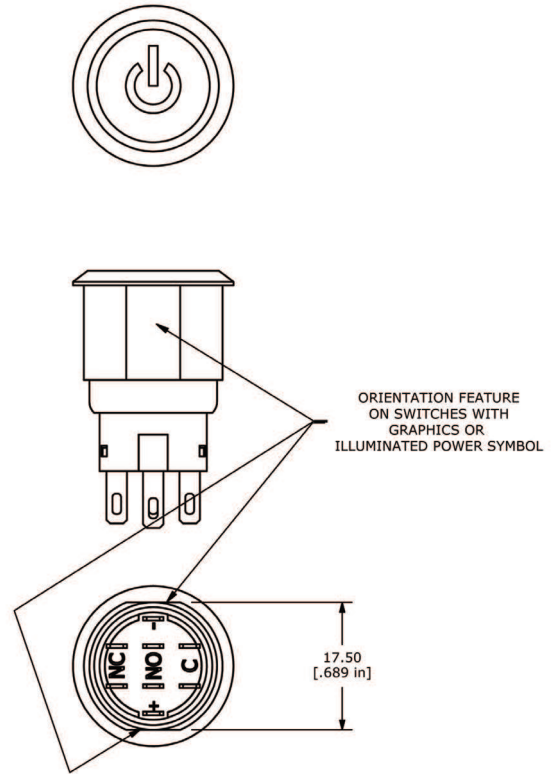
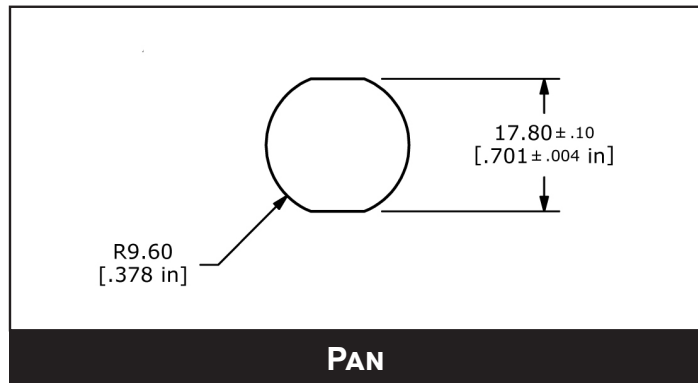
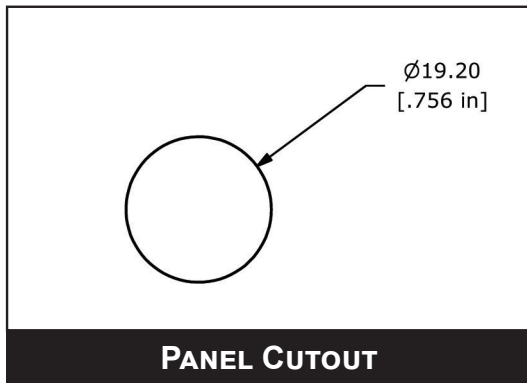
ULV4 SERIES ANTI-VANDAL SWITCH

BODY DIMENSIONS - SPDT



SPDT Illuminated
Option Shown.
The LED + and - terminals
are not included on
the non-illuminated options

SPDT SWITCH DIMENSIONS



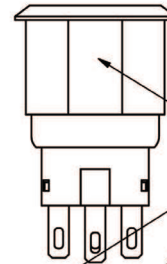
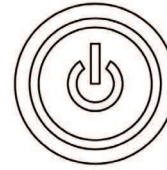
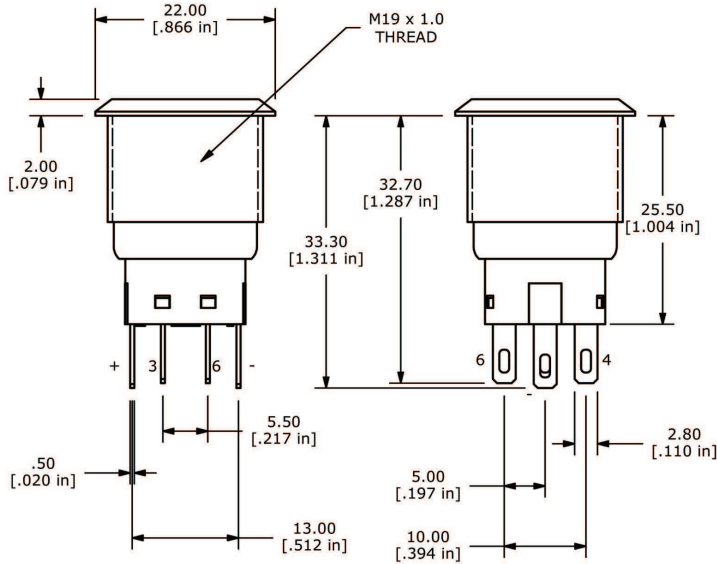
SEE STANDARD
SINGLE POLE OR DOUBLE
POLE DIMENSIONAL LAYOUT
FOR ALL OTHER DIMENSIONS

GRAPHIC OPTIONS

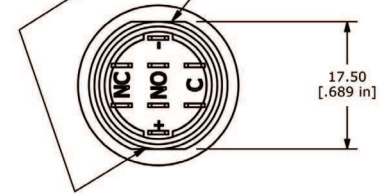


ULV4 SERIES ANTI-VANDAL SWITCH

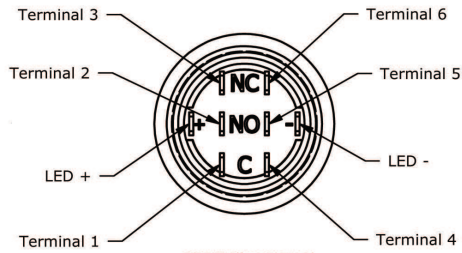
BODY DIMENSIONS - DPDT



ORIENTATION FEATURE ON SWITCHES WITH GRAPHICS OR ILLUMINATED POWER SYMBOL



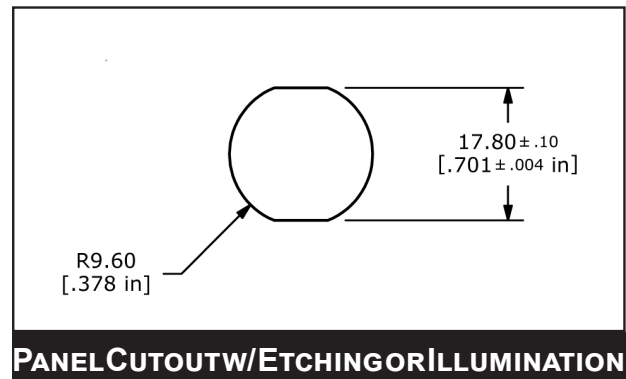
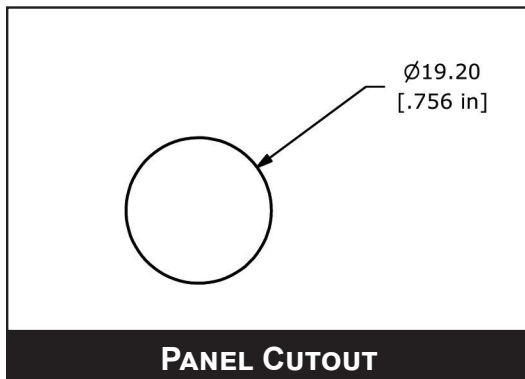
SEE STANDARD SINGLE POLE OR DOUBLE POLE DIMENSIONAL LAYOUT FOR ALL OTHER DIMENSIONS



DPDT Illuminated Option Shown. The LED + and - terminals are not included on the non-illuminated options

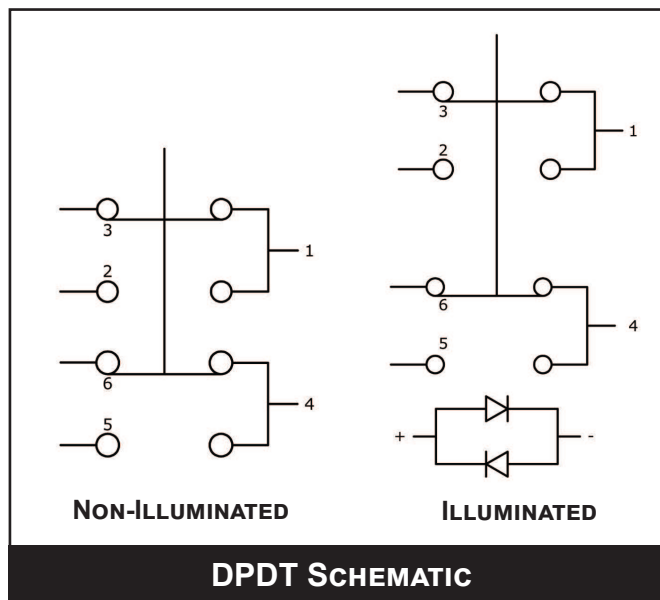
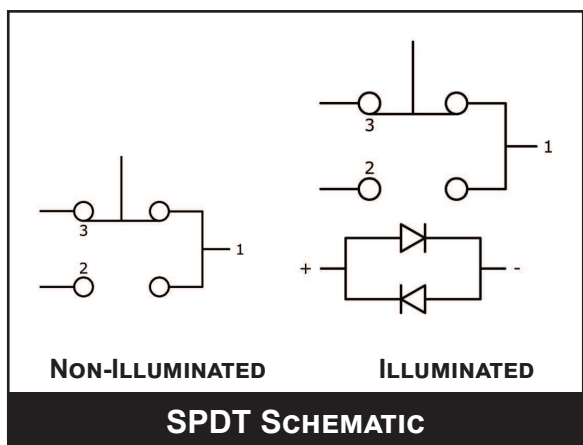
GRAPHIC OPTIONS

DPDT SWITCH DIMENSIONS



ULV4 SERIES ANTI-VANDAL SWITCH

SCHEMATICS



ACTUATOR OPTIONS

