



Chipsmall Limited consists of a professional team with an average of over 10 year of expertise in the distribution of electronic components. Based in Hongkong, we have already established firm and mutual-benefit business relationships with customers from,Europe,America and south Asia,supplying obsolete and hard-to-find components to meet their specific needs.

With the principle of "Quality Parts,Customers Priority,Honest Operation,and Considerate Service",our business mainly focus on the distribution of electronic components. Line cards we deal with include Microchip,ALPS,ROHM,Xilinx,Pulse,ON,Everlight and Freescale. Main products comprise IC,Modules,Potentiometer,IC Socket,Relay,Connector.Our parts cover such applications as commercial,industrial, and automotives areas.

We are looking forward to setting up business relationship with you and hope to provide you with the best service and solution. Let us make a better world for our industry!



## Contact us

Tel: +86-755-8981 8866 Fax: +86-755-8427 6832

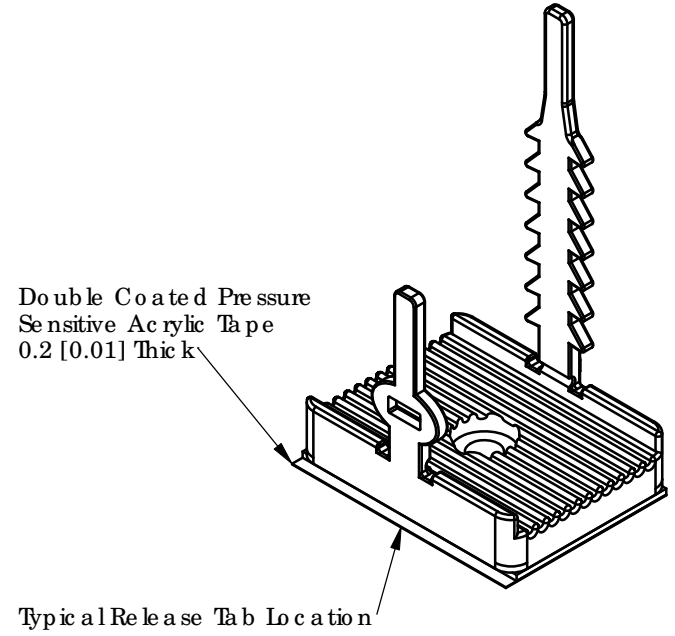
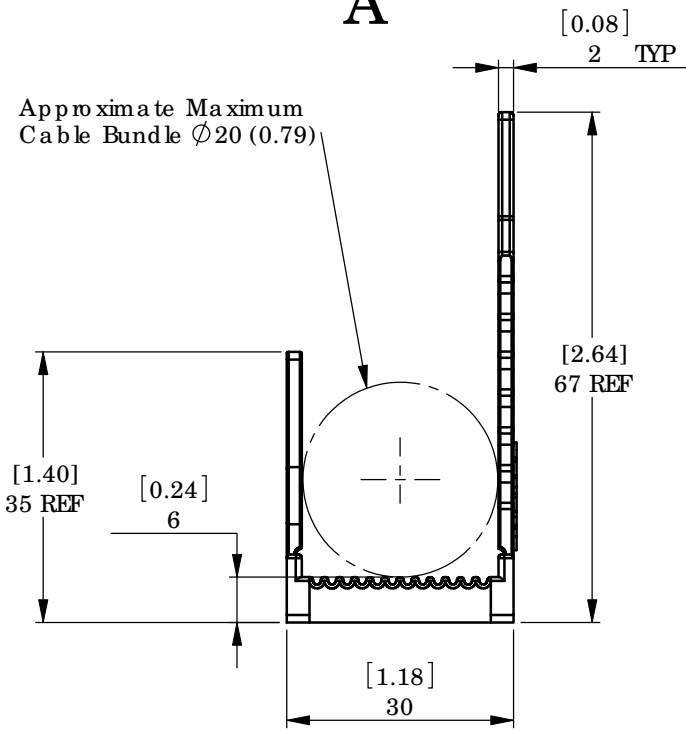
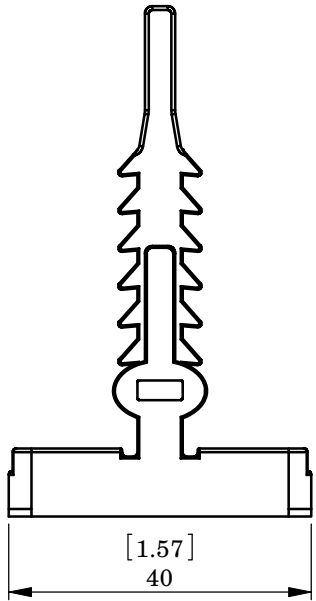
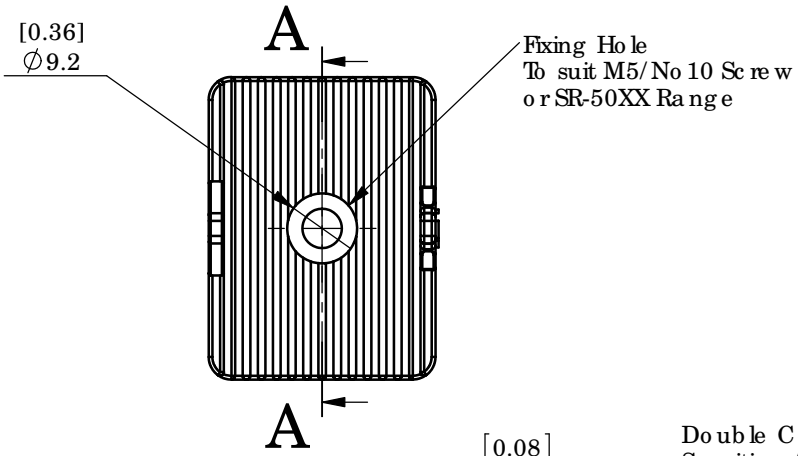
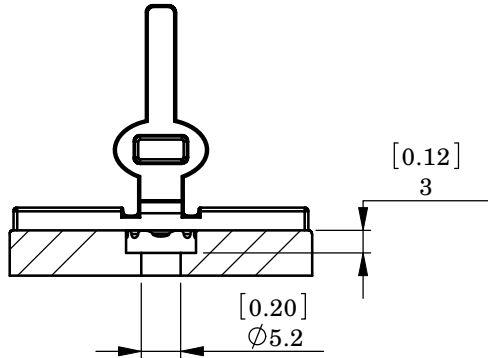
Email & Skype: info@chipsmall.com Web: www.chipsmall.com

Address: A1208, Overseas Decoration Building, #122 Zhenhua RD., Futian, Shenzhen, China



SECTION A-A  
SCALE 1 : 1

REV.	MODIFICATION.	DATE	DRN
01	Production Released	04/02/10	PH



ALTERNATE UNITS FOR REFERENCE ONLY

INFORMATION CONTAINED IN THIS DOCUMENT IS CONFIDENTIAL TO RICHCO INTERNATIONAL Co. Ltd. AND MAY NOT BE DISCLOSED OR REPRODUCED IN WHOLE OR PART WITHOUT THEIR WRITTEN CONSENT

<b>RICHCO, INC.</b> WWW.RICHCO-INC.COM	ALL DIMENSIONS IN mm GENERAL TOLERANCES ±0.25 UNLESS OTHERWISE STATED 1 DECIMAL PLACE ± 2 DECIMAL PLACES ± ANGULAR ±1°	THIRD ANGLE

Part Number	Description	Mounting Method
UMB-1	Universal Mounting Block	M5 / # 10 Screw or SR-50XX Range Not Supplied
UMB-1A-RT	Universal Mounting Block - Taped	Adhesive Tape (RMS-139)

MATERIAL: <b>Neoprene Rubber 50 Shore A (RMS-190)</b>		COLOUR: <b>Black</b>	
DESCRIPTION: <b>Universal Mounting Block</b>		PART No: <b>See Table</b>	
DRG No: <b>010-011</b>	NPR No: <b>GB08-0133</b>	SHEET SIZE <b>A4</b>	
DRN <b>PH</b>	DATE <b>04/02/10</b>	CHKD <b>PH</b>	DATE <b>17/02/10</b>
SCALE <b>NTS</b>	SHEET No. <b>1 OF 1</b>		