



Chipsmall Limited consists of a professional team with an average of over 10 year of expertise in the distribution of electronic components. Based in Hongkong, we have already established firm and mutual-benefit business relationships with customers from,Europe,America and south Asia,supplying obsolete and hard-to-find components to meet their specific needs.

With the principle of "Quality Parts,Customers Priority,Honest Operation,and Considerate Service",our business mainly focus on the distribution of electronic components. Line cards we deal with include Microchip,ALPS,ROHM,Xilinx,Pulse,ON,Everlight and Freescale. Main products comprise IC,Modules,Potentiometer,IC Socket,Relay,Connector.Our parts cover such applications as commercial,industrial, and automotives areas.

We are looking forward to setting up business relationship with you and hope to provide you with the best service and solution. Let us make a better world for our industry!



Contact us

Tel: +86-755-8981 8866 Fax: +86-755-8427 6832

Email & Skype: info@chipsmall.com Web: www.chipsmall.com

Address: A1208, Overseas Decoration Building, #122 Zhenhua RD., Futian, Shenzhen, China



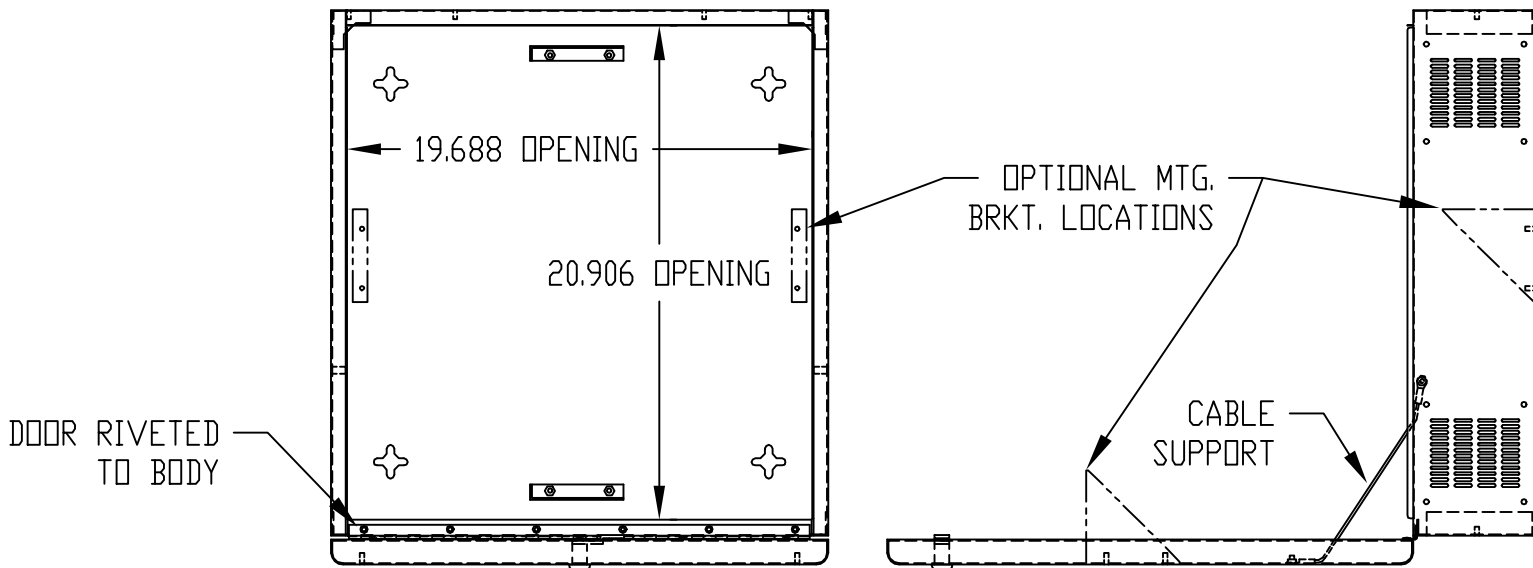
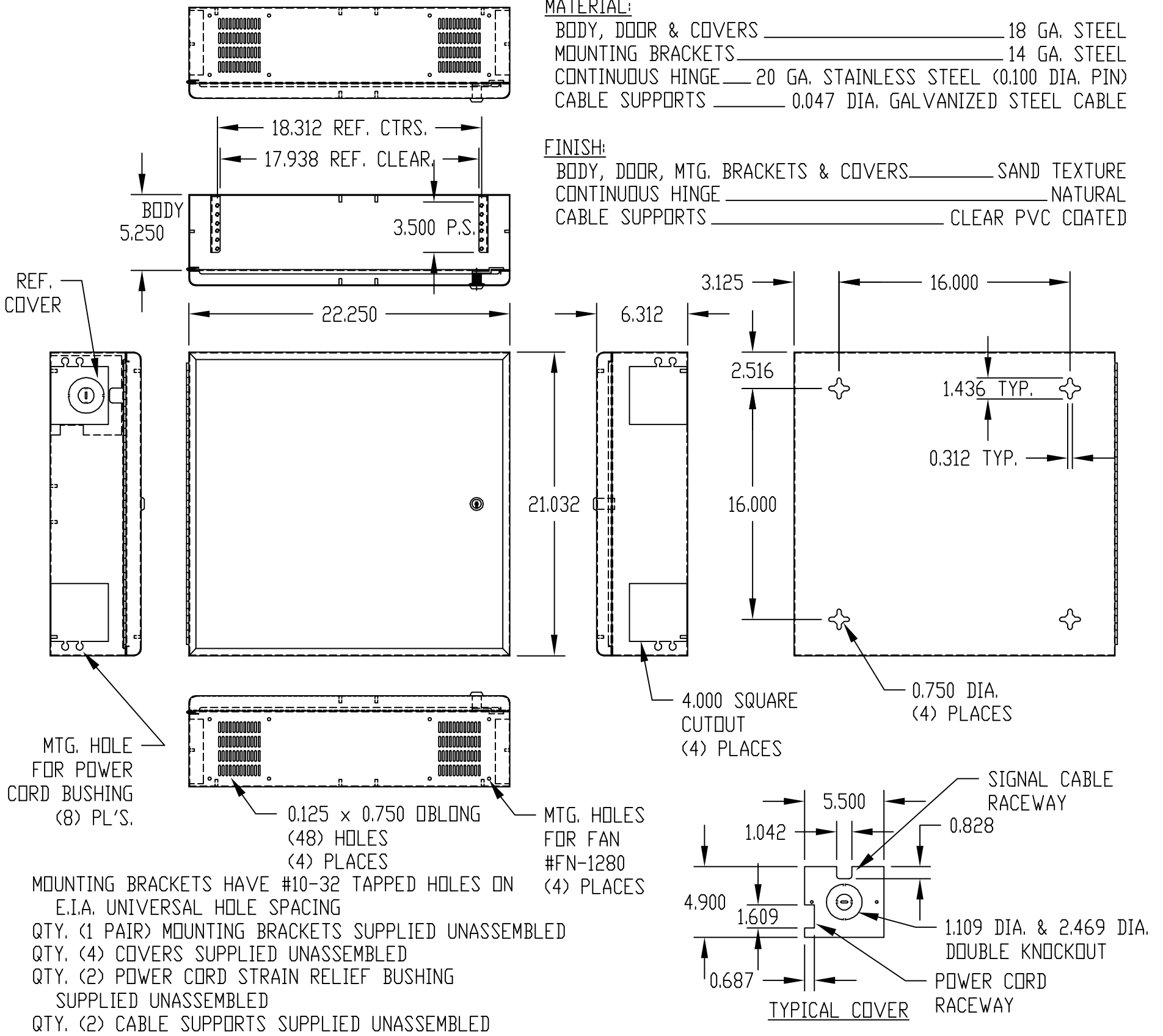
PART NAME	UNIVERSAL NETWORKING CABINET	PART No.	UN-8080	REV. DATE	12-7-05
-----------	------------------------------	----------	---------	-----------	---------

MATERIAL:

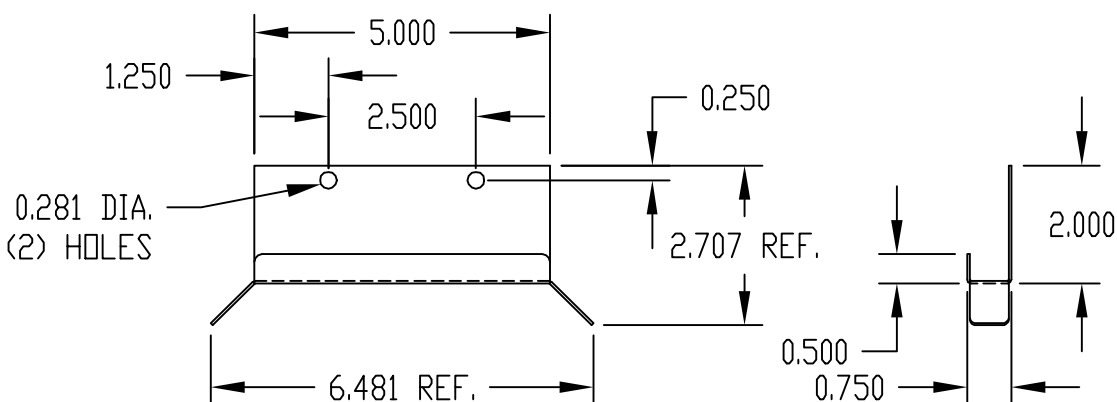
BODY, DOOR & COVERS _____ 18 GA. STEEL
 MOUNTING BRACKETS _____ 14 GA. STEEL
 CONTINUOUS HINGE _____ 20 GA. STAINLESS STEEL (0.100 DIA. PIN)
 CABLE SUPPORTS _____ 0.047 DIA. GALVANIZED STEEL CABLE

FINISH:

BODY, DOOR, MTG. BRACKETS & COVERS _____ SAND TEXTURE
 CONTINUOUS HINGE _____ NATURAL
 CABLE SUPPORTS _____ CLEAR PVC COATED



PART NAME	CABLE REEL	PART No.	UN-8086	PART No.	
-----------	------------	----------	---------	----------	--



SUPPLIED IN PAIRS WITH QTY. (4)
 #10-32 KEPS NUTS FOR MOUNTING

MATERIAL: 18 GA. STEEL
 FINISH: SAND TEXTURE