



Chipsmall Limited consists of a professional team with an average of over 10 year of expertise in the distribution of electronic components. Based in Hongkong, we have already established firm and mutual-benefit business relationships with customers from,Europe,America and south Asia,supplying obsolete and hard-to-find components to meet their specific needs.

With the principle of “Quality Parts,Customers Priority,Honest Operation,and Considerate Service”,our business mainly focus on the distribution of electronic components. Line cards we deal with include Microchip,ALPS,ROHM,Xilinx,Pulse,ON,Everlight and Freescale. Main products comprise IC,Modules,Potentiometer,IC Socket,Relay,Connector.Our parts cover such applications as commercial,industrial, and automotives areas.

We are looking forward to setting up business relationship with you and hope to provide you with the best service and solution. Let us make a better world for our industry!



## Contact us

Tel: +86-755-8981 8866 Fax: +86-755-8427 6832

Email & Skype: info@chipsmall.com Web: www.chipsmall.com

Address: A1208, Overseas Decoration Building, #122 Zhenhua RD., Futian, Shenzhen, China



# OTHER CABINETS

## Uni-Cab Universal Cabinet System

Introducing the new series of Uni-Cab desk top cabinets with the same high quality, precise engineering, and exacting standards as the Uni-Pac Line.

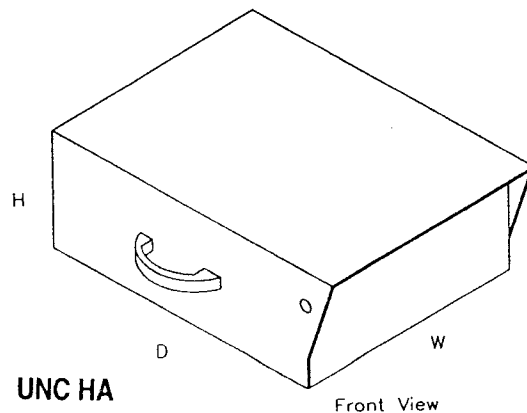
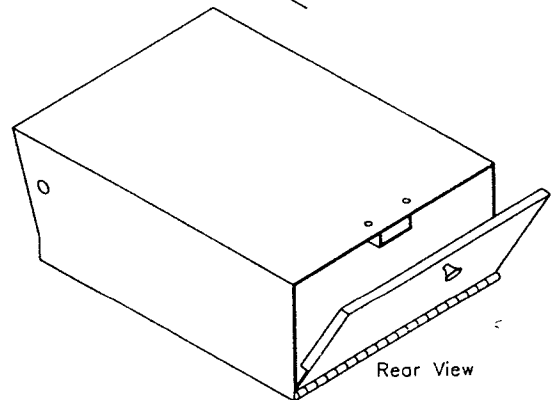
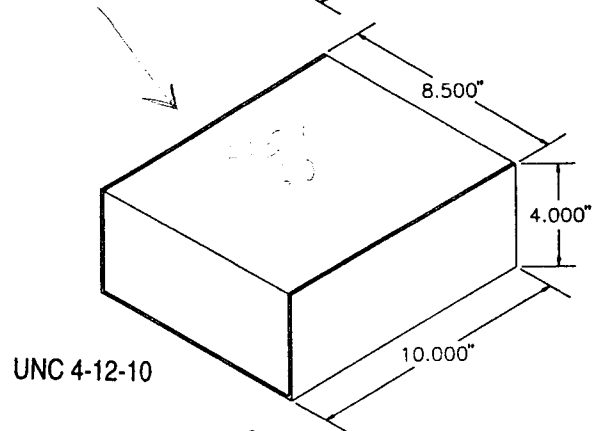
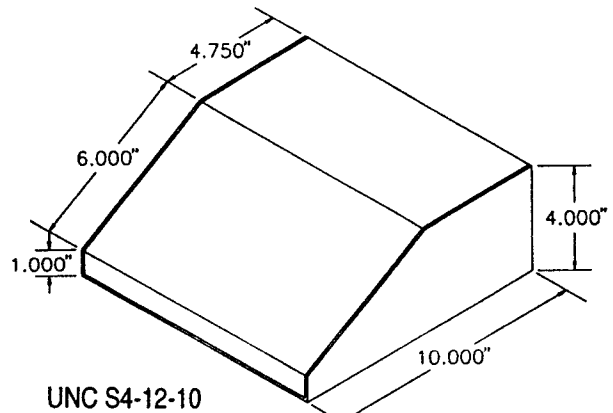
- Bases are .090 aluminum. Covers are .063 aluminum, 3003-H14 metal.
- Pem nuts used throughout for longer life and ease of assembly and disassembly.
- All parts are primed to protect the metal against the elements and to serve as a paint base.

Bases are finished in textured blue (Federal Spec. No. 595A-25109). Covers are finished in semi-gloss white (Federal Spec. No. 595A-27722).

The part number is the exact height, width, and depth, of the cover. The base is approximately 1/4" larger than the cover dimensions.

LMB Model	H	W	D
UNC 2-4-6	2	4	6
UNC 1 3/4-5-5	1 3/4	5	5
UNC 2 3/4-6-6	2 3/4	6	6
UNC 3 1/2-6-7	3 1/2	6	7
UNC 3-7-5	3	7	5
UNC 5-6-6	5	6	6
UNC 4-6-10	4	6	10
UNC 3-10-10	3	10	10
UNC 4-12-10	4	12	10
UNC S4-12-10	4	12	10

All dimensions are outside; all measurements in inches.



## HA Series

- Solid removable front.
- Hooded front with removable panel (3 screws).
- Hinged door in back.
- Chrome carrying handle.
- Available in grey, black texture, or plain.

LMB Model	D	W	H
HA-1	11 1/2	10 1/2	5

.050 Aluminum; all measurements in inches.