



Chipsmall Limited consists of a professional team with an average of over 10 year of expertise in the distribution of electronic components. Based in Hongkong, we have already established firm and mutual-benefit business relationships with customers from,Europe,America and south Asia,supplying obsolete and hard-to-find components to meet their specific needs.

With the principle of "Quality Parts,Customers Priority,Honest Operation,and Considerate Service",our business mainly focus on the distribution of electronic components. Line cards we deal with include Microchip,ALPS,ROHM,Xilinx,Pulse,ON,Everlight and Freescale. Main products comprise IC,Modules,Potentiometer,IC Socket,Relay,Connector.Our parts cover such applications as commercial,industrial, and automotives areas.

We are looking forward to setting up business relationship with you and hope to provide you with the best service and solution. Let us make a better world for our industry!



Contact us

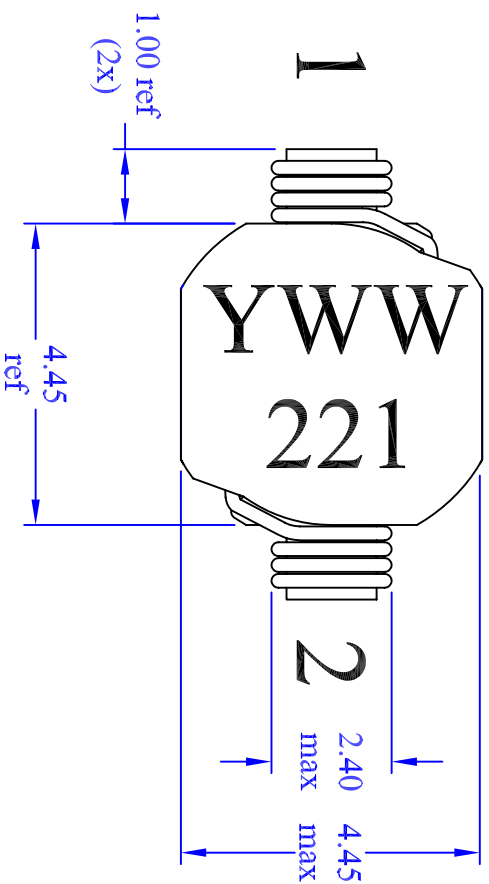
Tel: +86-755-8981 8866 Fax: +86-755-8427 6832

Email & Skype: info@chipsmall.com Web: www.chipsmall.com

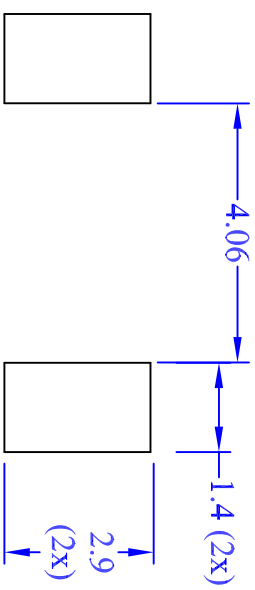
Address: A1208, Overseas Decoration Building, #122 Zhenhua RD., Futian, Shenzhen, China



TOP VIEW



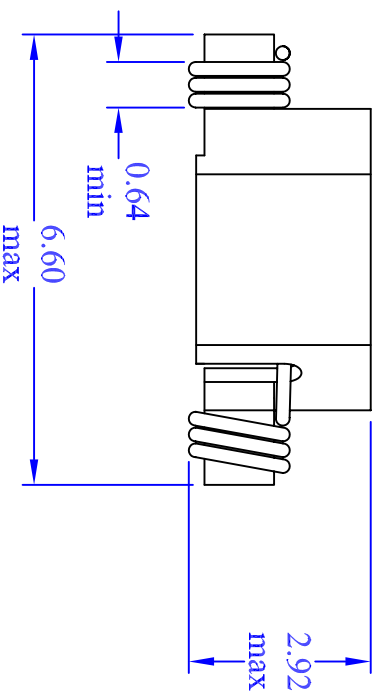
RECOMMENDED PCB LAYOUT



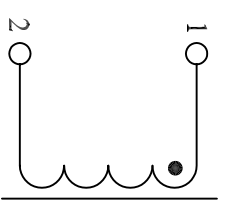
COMPONENT SIDE

OCL@100kHz, 0.25Vrms, 0.04dc: (1-2): 176-264uH
OCL@100kHz, 0.25Vrms, 0.234dc: (1-2): 160uH min.
DCR@20°C:(1-2): 4.6ohms max

FRONT VIEW



SCHEMATIC



Notes:

- 1) All dimensions are in millimeters. Tolerances are 0.127 mm unless otherwise specified.
- 2) Stamp as shown above where:
 YWW = Y: Last digit of Year, WW: Week
 221 = Inductance value: First 2 digits are inductance value in uH the last digit is number of zeros

Cooper Electronic Technologies

3601 Quantum Boulevard, Boynton Beach, FL. 33426

UP0.4C, Inductor Line, 220uH, .25Arms, .23Asat
 2.92 mm height

Size	Drawing Number:	UP0.4C-221
A	Revision Level:	X3
		Sheet 4 of 6