



Chipsmall Limited consists of a professional team with an average of over 10 year of expertise in the distribution of electronic components. Based in Hongkong, we have already established firm and mutual-benefit business relationships with customers from,Europe,America and south Asia,supplying obsolete and hard-to-find components to meet their specific needs.

With the principle of “Quality Parts,Customers Priority,Honest Operation,and Considerate Service”,our business mainly focus on the distribution of electronic components. Line cards we deal with include Microchip,ALPS,ROHM,Xilinx,Pulse,ON,Everlight and Freescale. Main products comprise IC,Modules,Potentiometer,IC Socket,Relay,Connector.Our parts cover such applications as commercial,industrial, and automotives areas.

We are looking forward to setting up business relationship with you and hope to provide you with the best service and solution. Let us make a better world for our industry!



Contact us

Tel: +86-755-8981 8866 Fax: +86-755-8427 6832

Email & Skype: info@chipsmall.com Web: www.chipsmall.com

Address: A1208, Overseas Decoration Building, #122 Zhenhua RD., Futian, Shenzhen, China





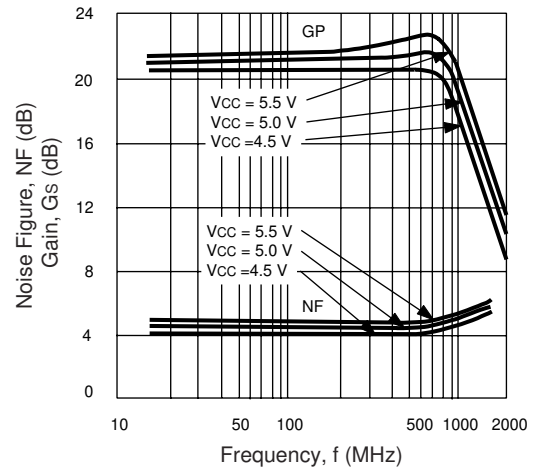
NEC's 1.0 GHz BANDWIDTH SILICON MMIC AMPLIFIER

UPC1688G

FEATURES

- **FLAT GAIN:** $\Delta GP = \pm 1$ dB TYP from 100 to 700 MHz
- **1000 MHz FREQUENCY RESPONSE AT 3 dB DOWN**
- **21 dB POWER GAIN AT 500 MHz**
- **SINGLE 5 VOLT SUPPLY**
- **NO EXTERNAL BIAS COMPONENTS REQUIRED**
- **LOW COST PACKAGE**
- **50 Ω GAIN BLOCK**
- **AVAILABLE IN TAPE AND REEL**

NOISE FIGURE AND GAIN vs. FREQUENCY



DESCRIPTION

NEC's UPC1688G is a silicon monolithic integrated circuit specifically designed as a flat gain, wide band amplifier covering the HF through the UHF band. It is particularly suited for low cost high performance amplifier applications.

NEC's stringent quality assurance and test procedures ensure the highest reliability and performance.

ELECTRICAL CHARACTERISTICS (TA = 25°C, VCC = 5 V, f = 500 MHz, Zs = ZL = 50 Ω)

PART NUMBER PACKAGE OUTLINE			UPC1688G 39		
SYMBOLS	PARAMETERS AND CONDITIONS	UNITS	MIN	TYP	MAX
I _{CC}	Circuit Current	mA	14	19	24
GP	Power Gain	dB	18	21	23
P _{SAT}	Saturated Output Power, P _{IN} = -5 dBm	dBm	2	4	
NF	Noise Figure	dB		4	5.5
BW	Bandwidth at 3 dB down below the gain at 100 MHz	MHz	900	1100	
ISOL	Isolation	dB	23	27	
RLIN	Input Return Loss	dB	10	13	
RLOUT	Output Return Loss	dB	10	13	

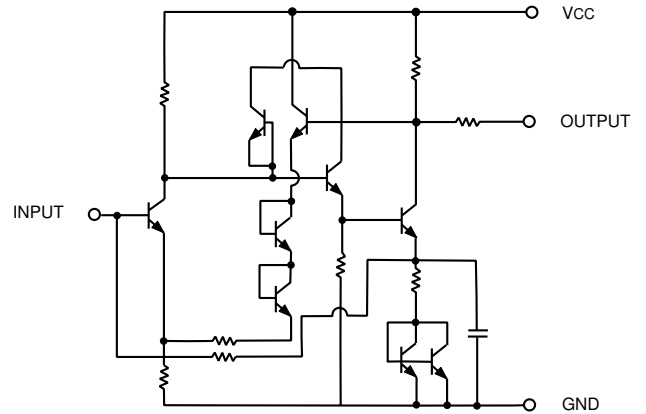
ABSOLUTE MAXIMUM RATINGS¹ (T_A = 25°C)

SYMBOLS	PARAMETERS	UNITS	RATINGS
V _{CC}	Supply Voltage	V	6
P _{IN}	Input Power	dBm	+10
P _T	Total Power Dissipation ²	mW	200
T _{OP}	Operating Temperature	°C	-40 to +85
T _{STG}	Storage Temperature	°C	-55 to +150

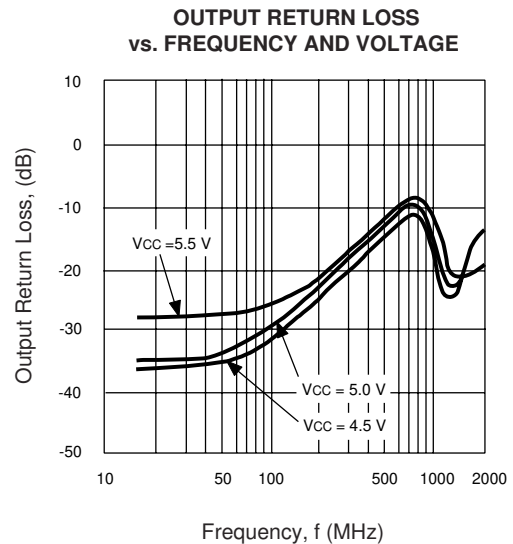
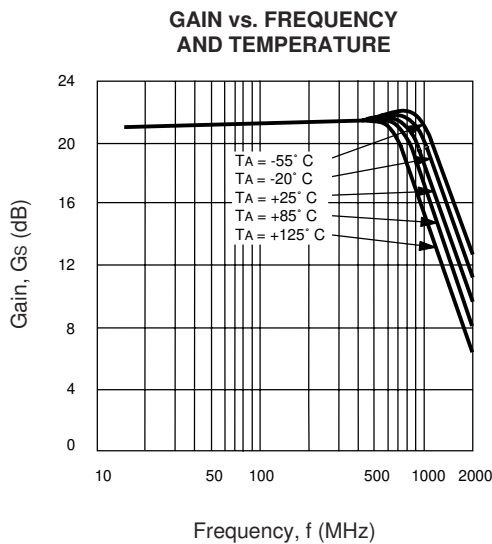
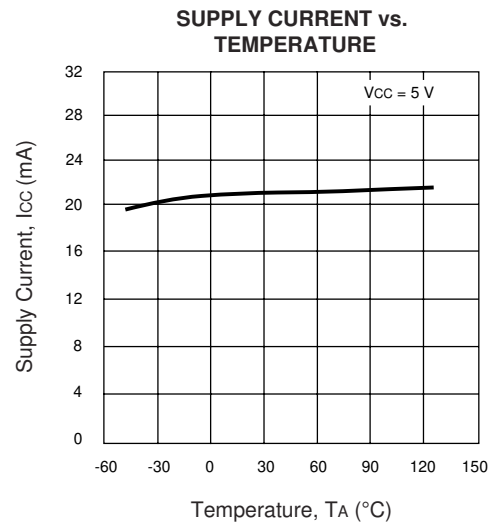
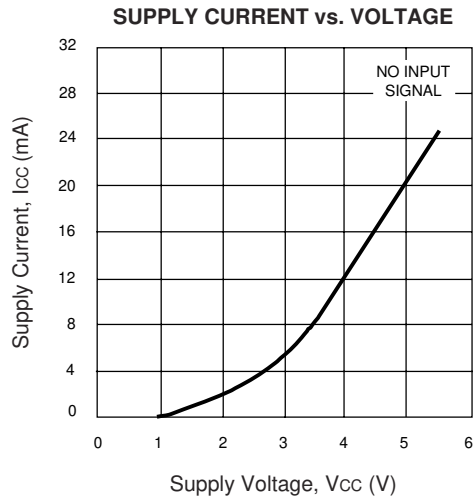
Notes:

1. Operation in excess of any one of these parameters may result in permanent damage.
2. At T_A = +85°C.

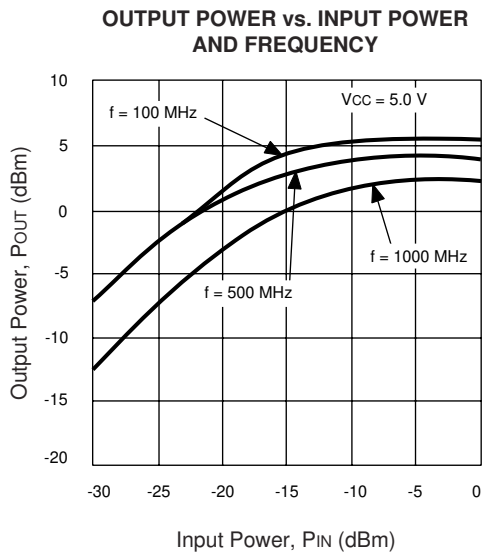
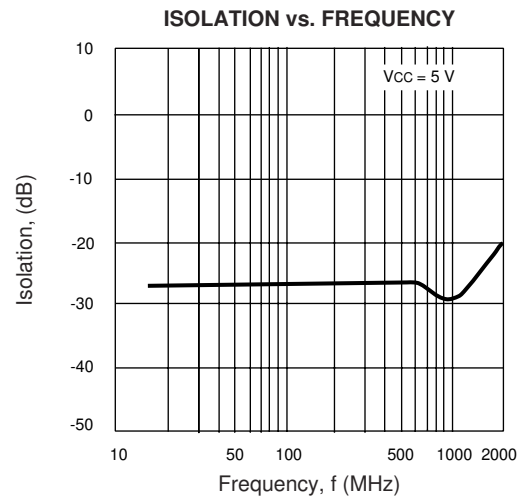
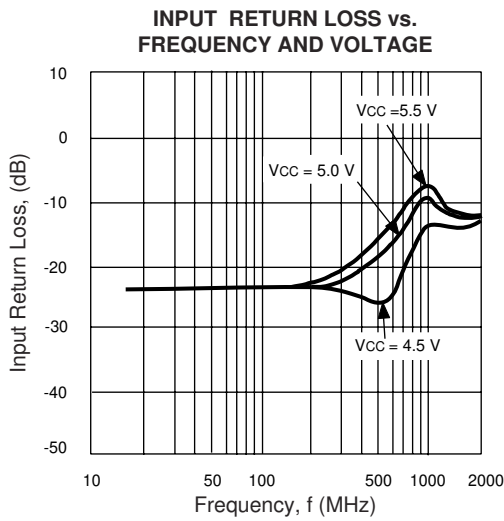
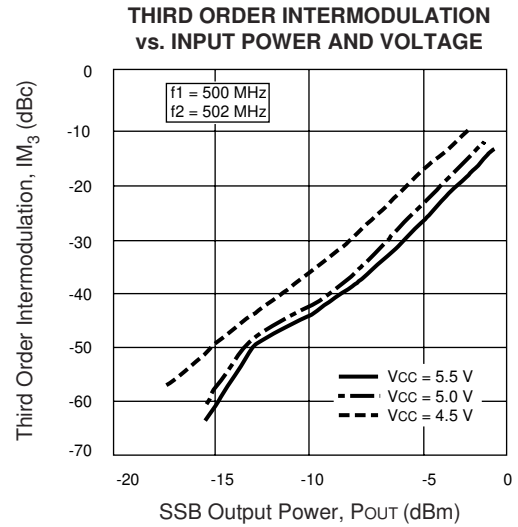
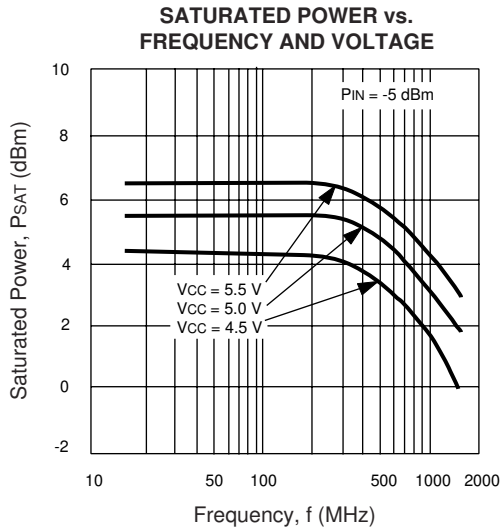
EQUIVALENT CIRCUIT



TYPICAL PERFORMANCE CURVES (T_A = 25°C)



TYPICAL PERFORMANCE CURVES (TA = 25°C)



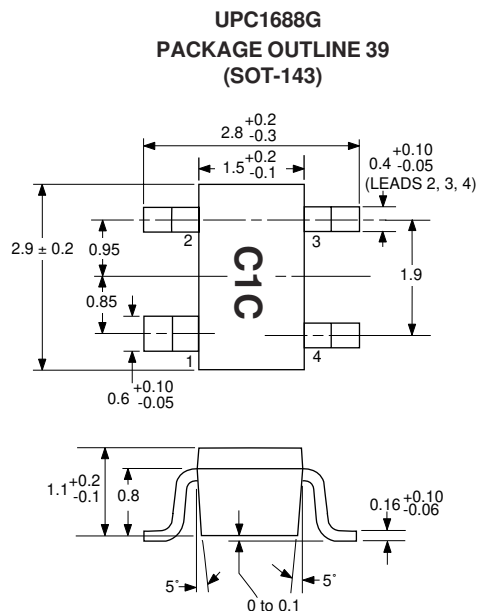
TYPICAL SCATTERING PARAMETERS (T_A = 25°C)

UPC1688G:

V_{CC} = 5.0 V, I_{CC} = 19 mA

FREQUENCY GHz	S ₁₁		S ₂₁		S ₁₂		S ₂₂		k	S ₂₁ dB
	MAG	ANG	MAG	ANG	MAG	ANG	MAG	ANG		
0.10	0.102	-85.7	11.040	-13.7	0.042	3.2	0.073	-132.3	1.30	20.9
0.20	0.161	-102.3	11.632	-31.0	0.043	-0.3	0.089	-148.8	1.23	21.3
0.30	0.237	-110.4	12.054	-48.4	0.044	-1.1	0.100	-156.0	1.17	21.6
0.40	0.292	-116.9	12.328	-62.8	0.046	-1.0	0.111	174.0	1.10	21.8
0.50	0.344	-123.9	12.515	-80.8	0.048	8.4	0.136	108.1	1.00	21.9
0.60	0.353	-135.4	12.578	-102.2	0.050	2.2	0.153	47.3	0.94	22.0
0.70	0.348	-152.8	12.466	-124.5	0.053	-1.7	0.172	-16.6	0.93	21.9
0.80	0.301	-165.8	11.899	-148.8	0.055	-7.6	0.192	-37.5	0.96	21.5
0.90	0.217	-175.0	10.564	-172.3	0.057	-11.6	0.222	-60.5	1.02	20.5
1.00	0.113	-169.8	8.983	166.8	0.056	-15.9	0.270	-75.8	1.14	19.1
1.10	0.081	-116.2	7.466	147.5	0.056	-18.3	0.318	-90.6	1.25	17.5
1.20	0.139	-87.2	6.170	130.7	0.053	-19.6	0.350	-102.4	1.45	15.8
1.30	0.219	-82.3	5.177	117.2	0.053	-19.6	0.374	-112.9	1.60	14.3
1.40	0.278	-83.6	4.330	104.5	0.053	-23.2	0.385	-121.6	1.80	12.7
1.50	0.327	-86.8	3.684	93.2	0.054	-24.4	0.390	-129.1	1.97	11.3
1.60	0.366	-89.6	3.161	82.5	0.055	-24.2	0.387	-135.1	2.17	10.0
1.70	0.399	-91.6	2.742	73.3	0.055	-27.2	0.380	-141.0	2.44	8.8
1.80	0.436	-94.8	2.423	64.1	0.056	-28.3	0.371	-145.9	2.62	7.7
1.90	0.452	-96.7	2.178	56.3	0.057	-29.0	0.352	-149.8	2.86	6.8
2.00	0.465	-99.0	1.991	47.7	0.058	-30.4	0.339	-153.0	3.06	6.0
2.10	0.486	-99.3	1.814	39.4	0.059	-28.4	0.319	-155.3	3.27	5.2

OUTLINE DIMENSIONS (Units in mm)



- PIN CONFIGURATIONS**
1. GND
 2. OUTPUT
 3. V_{CC}
 4. INPUT

Note:
All dimensions are typical unless otherwise specified.

Life Support Applications

These NEC products are not intended for use in life support devices, appliances, or systems where the malfunction of these products can reasonably be expected to result in personal injury. The customers of CEL using or selling these products for use in such applications do so at their own risk and agree to fully indemnify CEL for all damages resulting from such improper use or sale.

CEL California Eastern Laboratories, Your source for NEC RF, Microwave, Optoelectronic, and Fiber Optic Semiconductor Devices.
4590 Patrick Henry Drive • Santa Clara, CA 95054-1817 • (408) 988-3500 • FAX (408) 988-0279 • www.cel.com

DATA SUBJECT TO CHANGE WITHOUT NOTICE

07/01/2004