



Chipsmall Limited consists of a professional team with an average of over 10 year of expertise in the distribution of electronic components. Based in Hongkong, we have already established firm and mutual-benefit business relationships with customers from,Europe,America and south Asia,supplying obsolete and hard-to-find components to meet their specific needs.

With the principle of “Quality Parts,Customers Priority,Honest Operation,and Considerate Service”,our business mainly focus on the distribution of electronic components. Line cards we deal with include Microchip,ALPS,ROHM,Xilinx,Pulse,ON,Everlight and Freescale. Main products comprise IC,Modules,Potentiometer,IC Socket,Relay,Connector.Our parts cover such applications as commercial,industrial, and automotives areas.

We are looking forward to setting up business relationship with you and hope to provide you with the best service and solution. Let us make a better world for our industry!



## Contact us

Tel: +86-755-8981 8866 Fax: +86-755-8427 6832

Email & Skype: info@chipsmall.com Web: www.chipsmall.com

Address: A1208, Overseas Decoration Building, #122 Zhenhua RD., Futian, Shenzhen, China





# BIPOLAR ANALOG INTEGRATED CIRCUIT UPC2757TB / UPC2758TB

## 3 V, SUPER MINIMOLD SI MMIC DOWNCONVERTER

### FEATURES

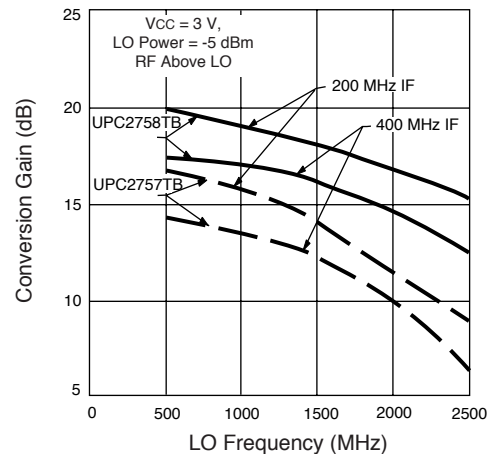
- **HIGH-DENSITY SURFACE MOUNTING:**  
6 pin super minimold or SOT-363 package
- **WIDEBAND OPERATION:**  
RF = 0.1 GHz to 2.0 GHz  
IF = 20 MHz to 300 MHz
- **BUILT-IN POWER SAVE FUNCTION**
- **SUPPLY VOLTAGE:**  $V_{CC} = 2.7$  TO  $3.3$  V

### DESCRIPTION

The UPC2757TB and UPC2758TB are silicon RFICs manufactured using the NESAT™ III process. The devices consist of a mixer, an IF amplifier and an LO buffer amplifier. These devices are suitable as 1st IF downconverters for the receiver stage of cellular and other wireless systems. The UPC2757TB is designed for low power consumption while the UPC2758TB is designed for low distortion. The UPC2757TB/58TB are pin compatible and have comparable performance to the larger UPC2757T/58T, so they are suitable for use as a replacement to help reduce system size. The IC is housed in a 6 pin super minimold or SOT-363 package.

Stringent quality assurance and test procedures ensure the highest reliability and performance.

CONVERSION GAIN vs. LO FREQUENCY



### ELECTRICAL CHARACTERISTICS (TA = 25°C, VCC = VPS = 3.0 V, PLO = -10 dBm)

PART NUMBER PACKAGE OUTLINE			UPC2757TB S06			UPC2758TB S06		
SYMBOLS	PARAMETERS AND CONDITIONS	UNITS	MIN	TYP	MAX	MIN	TYP	MAX
I <sub>CC</sub>	Circuit Current, V <sub>PS</sub> = 3 V V <sub>PS</sub> = 0.5 V	mA μA	3.7	5.6 0.1	7.7	6.6	11 0.1	14.8
f <sub>RF</sub>	RF Operating Frequency Range (The conversion gain at f <sub>RF</sub> is not more than 3 dB down from the gain at f <sub>RF</sub> = 800 MHz, f <sub>IF</sub> = 130 MHz)	GHz	0.1		2.0	0.1		2.0
f <sub>IF</sub>	IF Operating Frequency Range (The conversion gain at f <sub>IF</sub> is not more than 3 dB down from the gain at f <sub>RF</sub> = 800 MHz, f <sub>IF</sub> = 130 MHz)	MHz	20		300	20		300
CG	Conversion Gain <sup>1</sup> , f <sub>RF</sub> = 800 MHz, f <sub>IF</sub> = 130 MHz f <sub>RF</sub> = 2.0 GHz, f <sub>IF</sub> = 250 MHz	dB dB	12 10	15 13	18 16	16 14	19 17	22 20
NF	Noise Figure, SSB f <sub>RF</sub> = 800 MHz, f <sub>IF</sub> = 130 MHz f <sub>RF</sub> = 2.0 GHz, f <sub>IF</sub> = 250 MHz	dB dB		10 13	13 16		9 13	12 15
PSAT	Saturated Output Power <sup>2</sup> , f <sub>RF</sub> = 800 MHz, f <sub>IF</sub> = 100 MHz f <sub>RF</sub> = 2.0 GHz, f <sub>IF</sub> = 250 MHz	dBm dBm	-11 -11	-3 -8		-7 -7	+1 -4	
P <sub>1dB</sub>	Output Power at 1dB compression point f <sub>RF</sub> = 800 MHz f <sub>IF</sub> = 100 MHz	dBm		-8			-3.5	
OIP <sub>3</sub>	Output 3rd Order Intercept Point, (SSB) P <sub>LO</sub> = -10 dBm f <sub>RF</sub> = 0.8~2.0 GHz, f <sub>IF</sub> = 100 MHz	dBm		+5			+11	
ISOL	LO Leakage, f <sub>LO</sub> = 0.8 ~2.0 GHz	at RF pin dBm at IF pin dBm		-35 -23			-30 -15	
R <sub>TH</sub> (J-A)	Thermal Resistance (Junction to Ambient) Mounted on a 50 x 50 x 1.6 mm epoxy glass PWB	°C/W			325			325

Notes:

1. P<sub>RF</sub> = -40 dBm.
2. P<sub>RF</sub> = -10 dBm.

# UPC2757TB, UPC2758TB

## ABSOLUTE MAXIMUM RATINGS<sup>1</sup> (T<sub>A</sub> = 25°C)

SYMBOLS	PARAMETERS	UNITS	RATINGS
V <sub>CC</sub> , V <sub>PS</sub>	Supply Voltage	V	5.5
P <sub>T</sub>	Total Power Dissipation <sup>2</sup>	mW	200
T <sub>OP</sub>	Operating Temperature	°C	-40 to +85
T <sub>STG</sub>	Storage Temperature	°C	-55 to +150

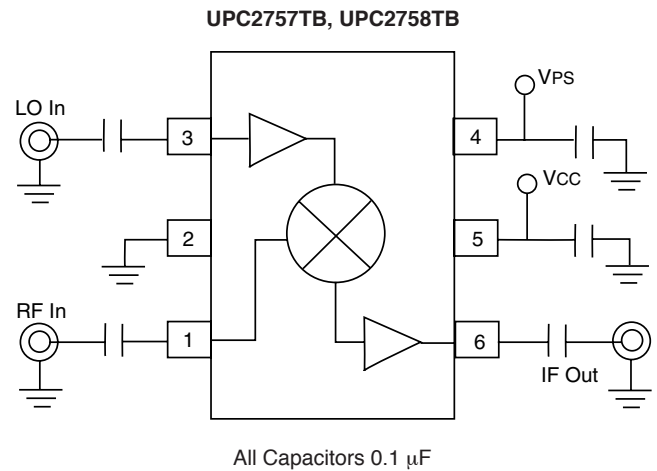
### Notes:

- Operation in excess of any one of these parameters may result in permanent damage.
- Mounted on a 50 x 50 x 1.6 mm epoxy glass PWB (T<sub>A</sub> = +85°C).

## RECOMMENDED OPERATING CONDITIONS

SYMBOLS	PARAMETERS	UNITS	MIN	TYP	MAX
V <sub>CC</sub>	Supply Voltage	V	2.7	3.0	3.3
T <sub>OP</sub>	Operating Temperature	°C	-40	+25	+85
P <sub>LO</sub>	LO Input Level	dBm	-15	-10	0

## TEST CIRCUIT/BLOCK DIAGRAM

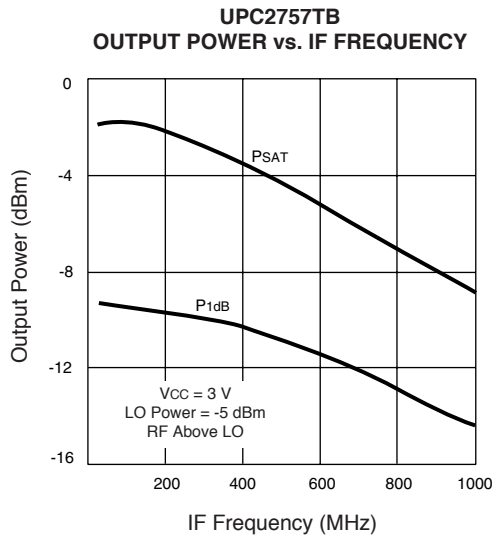
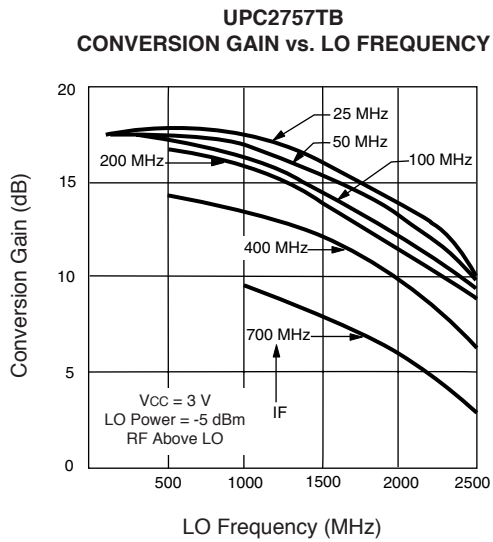
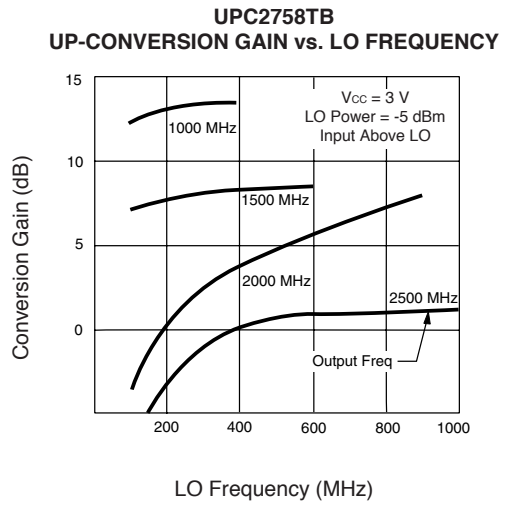
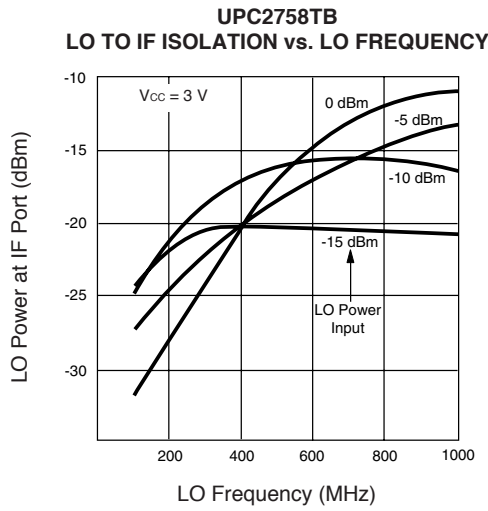
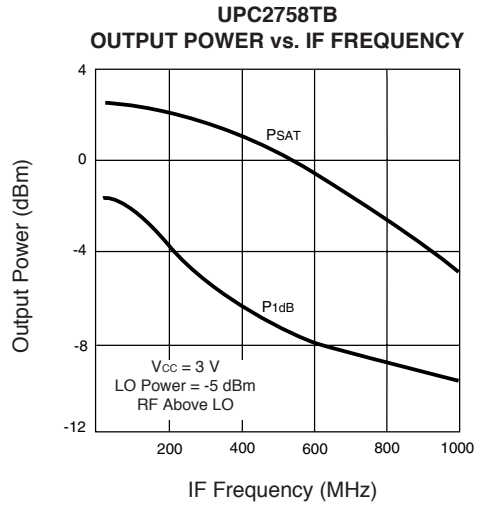
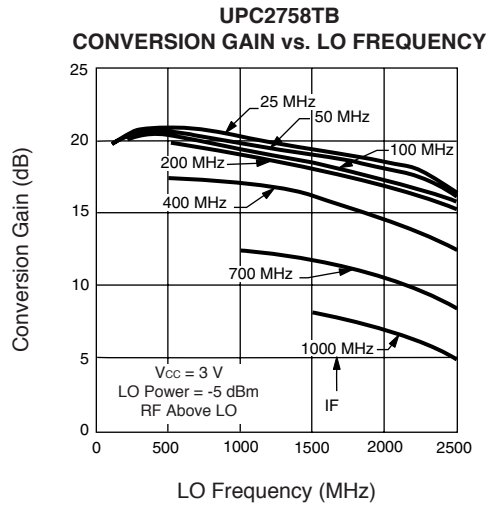


## PIN DESCRIPTION

Pin No.	Pin Name	Applied Voltage (V)	Pin Voltage (V)	Description	Internal Equivalent Circuit						
1	RFIN	—	1.2	Signal input pin to double balanced mixer. This pin must be coupled to the signal source with a blocking capacitor.							
2	GND	0	—	Ground pin. This pin should be connected to system ground with minimum inductance. Ground pattern on the board should be formed as wide as possible.							
3	LOIN	—	1.3	LO input pin. The LO buffer is designed as a differential amplifier. Recommended input level is -15 to 0 dBm.							
4	VPS	VCC / GND	—	Power save control pin can control the On/Sleep state with bias as follows: <table border="1" style="margin-left: auto; margin-right: auto;"> <thead> <tr> <th>V<sub>PS</sub> (V)</th> <th>STATE</th> </tr> </thead> <tbody> <tr> <td>≥2.5</td> <td>ON</td> </tr> <tr> <td>0 to 0.5</td> <td>SLEEP</td> </tr> </tbody> </table> Rise time/fall time using this pin is approximately 10 μs.	V <sub>PS</sub> (V)	STATE	≥2.5	ON	0 to 0.5	SLEEP	
V <sub>PS</sub> (V)	STATE										
≥2.5	ON										
0 to 0.5	SLEEP										
5	VCC	2.7 to 3.3	—	Power supply pin. This pin should be externally equipped with a bypass capacitor to minimize ground impedance.							
6	IFOUT	—	1.7	Output of single-ended push-pull IF buffer amplifier. This is an emitter-follower output with low impedance. This pin must be coupled to the next stage with a blocking capacitor.							

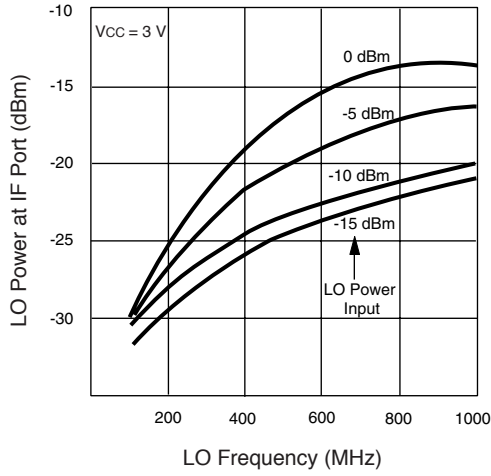


TYPICAL PERFORMANCE CURVES (TA = 25°C)

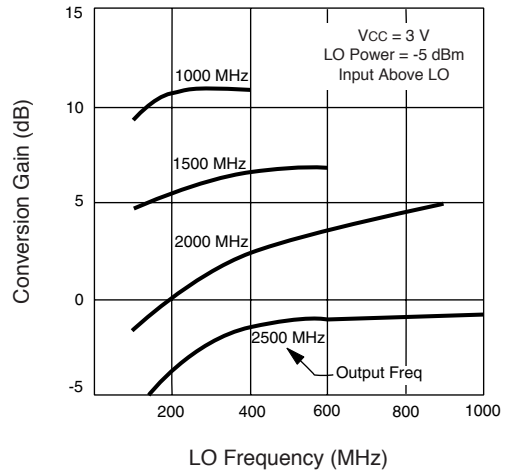


TYPICAL PERFORMANCE CURVES (T<sub>A</sub> = 25°C)

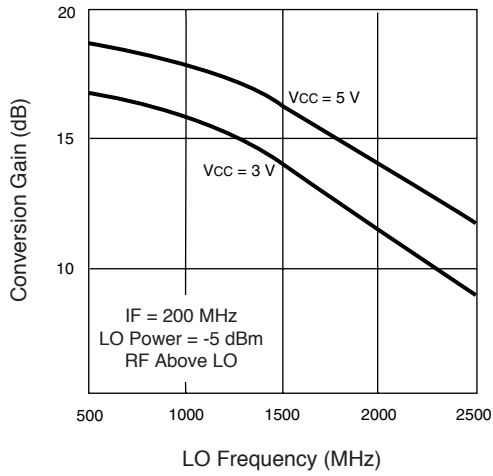
**UPC2757TB**  
LO TO IF ISOLATION vs. LO FREQUENCY



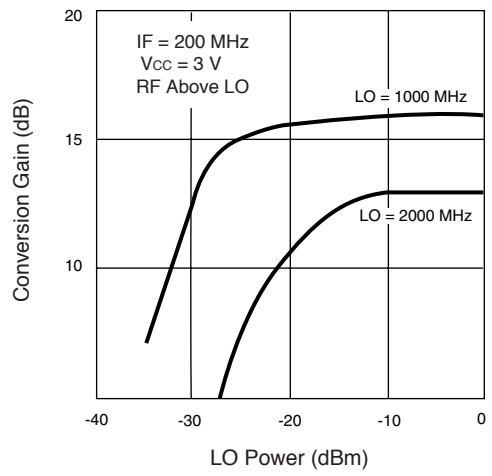
**UPC2757TB**  
UP-CONVERSION GAIN vs. LO FREQUENCY



**UPC2757TB**  
CONVERSION GAIN vs. LO FREQUENCY

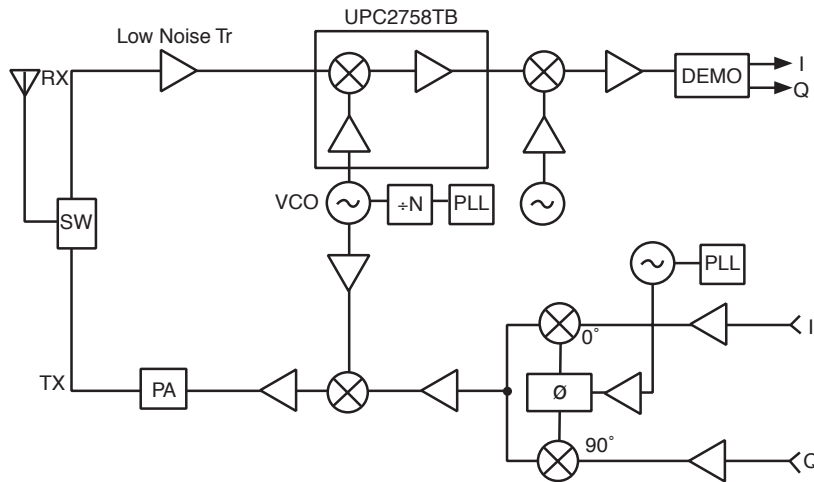


**UPC2757TB**  
CONVERSION GAIN vs. LO POWER



## APPLICATION EXAMPLE

Digital Cellular Telephone

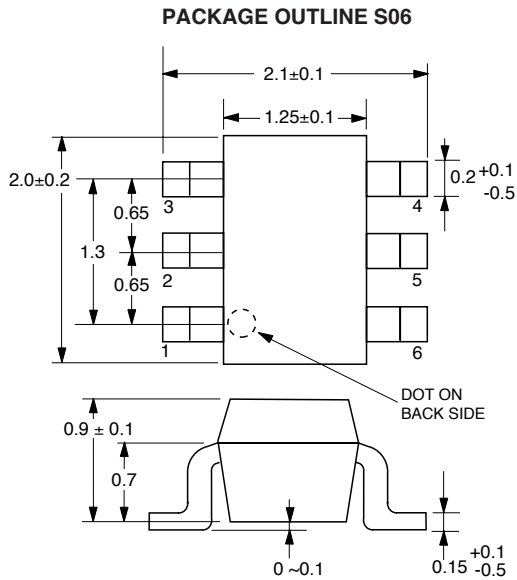


## ORDERING INFORMATION

PART NUMBER	QTY
UPC2757TB-E3-A	3K/Reel
UPC2758TB-E3-A	3K/Reel

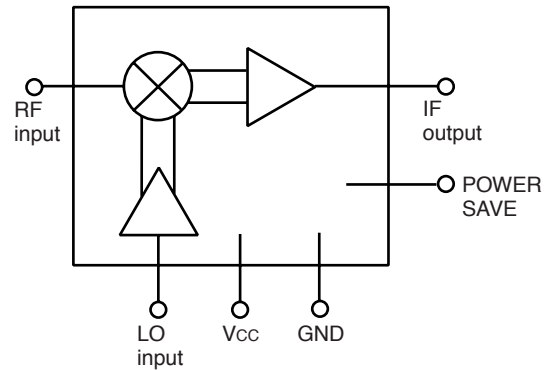
Note:  
Embossed Tape, 8 mm wide,  
Pins 1, 2, 3 are in tape pull-out direction.

## OUTLINE DIMENSIONS

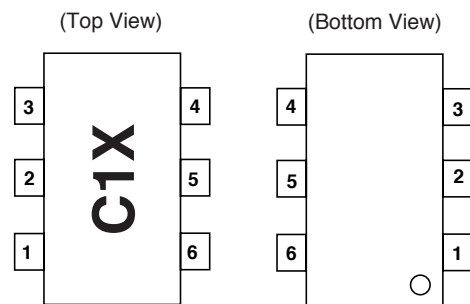


Note:  
All dimensions are typical unless otherwise specified.

## INTERNAL BLOCK DIAGRAM



## LEAD CONNECTIONS



1. RF INPUT
2. GND
3. LO INPUT
4. PS
5. Vcc
6. IF OUTPUT

Note:  
Package Markings:  
C1X: UPC2757TB  
C1Y: UPC2758TB

EXCLUSIVE NORTH AMERICAN AGENT FOR RF, MICROWAVE & OPTOELECTRONIC SEMICONDUCTORS

**CEL** CALIFORNIA EASTERN LABORATORIES • Headquarters • 4590 Patrick Henry Drive • Santa Clara, CA 95054-1817 • (408) 988-3500 • Telex 34-6393 • FAX (408) 988-0279  
DATA SUBJECT TO CHANGE WITHOUT NOTICE

Internet: <http://WWW.CEL.COM>

10/24/2001