



Chipsmall Limited consists of a professional team with an average of over 10 year of expertise in the distribution of electronic components. Based in Hongkong, we have already established firm and mutual-benefit business relationships with customers from,Europe,America and south Asia,supplying obsolete and hard-to-find components to meet their specific needs.

With the principle of “Quality Parts,Customers Priority,Honest Operation,and Considerate Service”,our business mainly focus on the distribution of electronic components. Line cards we deal with include Microchip,ALPS,ROHM,Xilinx,Pulse,ON,Everlight and Freescale. Main products comprise IC,Modules,Potentiometer,IC Socket,Relay,Connector.Our parts cover such applications as commercial,industrial, and automotives areas.

We are looking forward to setting up business relationship with you and hope to provide you with the best service and solution. Let us make a better world for our industry!



Contact us

Tel: +86-755-8981 8866 Fax: +86-755-8427 6832

Email & Skype: info@chipsmall.com Web: www.chipsmall.com

Address: A1208, Overseas Decoration Building, #122 Zhenhua RD., Futian, Shenzhen, China





NEC's 4.8 TO 5.85 GHz HIGH POWER GaAs MMIC SPDT SWITCH

UPG2022TB

FEATURES

- **OPERATING FREQUENCY:**
f = 4.8 to 5.85 GHz
- **LOW INSERTION LOSS:**
0.8 dB TYP. @ 4.9 to 5.2 GHz
0.9 dB TYP. @ 5.8 GHz
- **POWER HANDLING:**
P_{in} (0.1dB) = +30 dBm TYP. @ 4.9 to 5.2 GHz
P_{in} (0.1dB) = +31 dBm TYP. @ 5.2 to 5.85 GHz
- **CONTROL VOLTAGE:**
V_{cont} = +2.8 V/0 V
- **HIGH ISOLATION:**
(Between INPUT and OUTPUT) = 29 dB TYP. @ 5.85 GHz
(Between OUTPUT1 and OUTPUT2) = 18 dB TYP. @ 5.85 GHz
- **INPUT/OUTPUT RETURN LOSS:**
10 dB MIN. @ 4.8 to 5.85 GHz
- **SWITCHING SPEED:**
20 ns @ t_{RISE}/t_{FALL} (10/90% RF)
- **6-PIN SUPER MINIMOLD PACKAGE:**
(2.0 × 1.25 × 0.9 mm)
- **LEAD FREE**

DESCRIPTION

NEC's UPG2022TB is a high power GaAs MMIC SPDT (Single Pole Double Throw) switch. This device can operate from 4.8 to 5.85 GHz with low insertion loss. It is housed in a compact, lead free 6-pin super minimold package.

APPLICATIONS

- 5 GHz BAND WLAN
- 5 GHz CORDLESS PHONES
- 5 GHz ELECTRONIC TOLL COLLECTION
- 5 GHz FIXED WIRELESS ACCESS

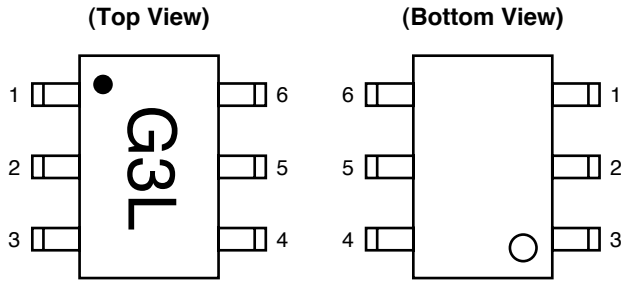
ORDERING INFORMATION

PART NUMBER	PACKAGE	MARKING	SUPPLYING FORM
UPG2022TB-E4-A	6-pin super minimold	G3L	<ul style="list-style-type: none"> • Embossed tape 8 mm wide • Pin 4,5,6 face the perforation side of the tape • Qty 3 kpcs/reel

Remark To order evaluation samples, contact your nearby sales office.

Part number for sample order: UPG2022TB-A

PIN CONNECTIONS



PIN NO.	PIN NAME
1	OUTPUT2
2	GND
3	OUTPUT1
4	V _{cont1}
5	INPUT
6	V _{cont2}

ABSOLUTE MAXIMUM RATINGS (T_A = +25°C, unless otherwise specified)

PARAMETER	SYMBOL	RATINGS	UNIT
Switch Control Voltage	V _{cont1, 2}	-6.0 to +6.0 ^{Note1}	V
Input Power	P _{in}	+36	dBm
Total Power Dissipation	P _{tot}	0.15 ^{Note2}	W
Operating Ambient Temperature	T _A	-45 to +85	°C
Storage Temperature	T _{stg}	-65 to +150	°C

Notes 1. | V_{cont1} - V_{cont2} | ≤ 6.0 V

2. Mounted on double-sided copper-clad 50 × 50 × 1.6 mm epoxy glass PWB, T_A = +85°C

RECOMMENDED OPERATING RANGE (T_A = +25°C, unless otherwise specified)

PARAMETER	SYMBOL	MIN.	TYP.	MAX.	UNIT
Switch Control Voltage (H)	V _{cont (H)}	2.7	2.8	3.3	V
Switch Control Voltage (L)	V _{cont (L)}	-0.2	0	0.2	V
Operating Frequency	f	4.8		5.85	GHz
Operating Ambient Temperature	T _A	-40	+25	+85	°C

ELECTRICAL CHARACTERISTICS ($T_A = +25^\circ\text{C}$, $V_{\text{cont}} = 2.8 \text{ V/0 V}$, $Z_0 = 50 \Omega$, DC blocking capacitors = 3 pF, Each port, unless otherwise specified)

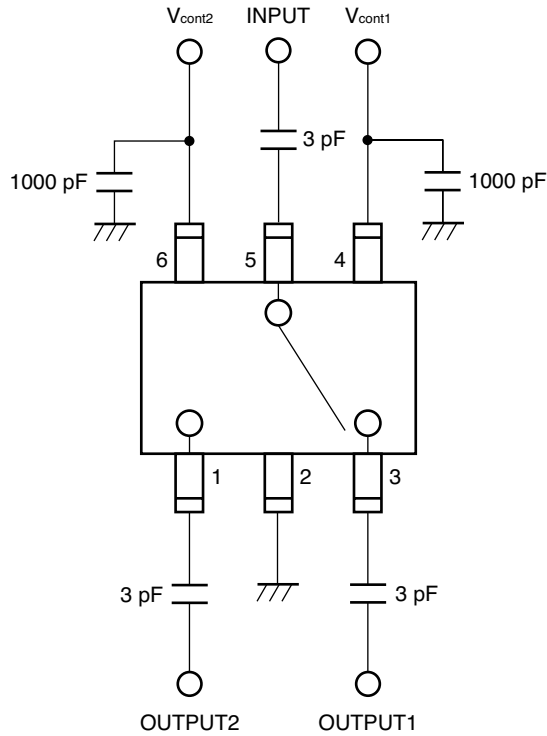
PARAMETER	SYMBOL	TEST CONDITIONS	MIN.	TYP.	MAX.	UNIT
Insertion Loss	L _{INS}	f = 4.9 GHz	-	0.8	1.1	dB
		f = 5.2 GHz	-	0.8	1.1	dB
		f = 5.8 GHz	-	0.9	1.1	dB
Isolation 1 (between OUTPUT1 and OUTPUT2)	ISL1	f = 4.9 GHz	12	15	-	dB
		f = 5.2 GHz	13	16	-	dB
		f = 5.8 GHz	15	18	-	dB
Input Return Loss	RL _{in}	f = 4.9 GHz	10	17	-	dB
		f = 5.2 GHz	10	18	-	dB
		f = 5.8 GHz	10	15	-	dB
Output Return Loss	RL _{out}	f = 4.9 GHz	10	19	-	dB
		f = 5.2 GHz	10	21	-	dB
		f = 5.8 GHz	10	19	-	dB
0.1 dB Gain Compression Input Power	P _{in (0.1 dB)}	f = 4.9 to 5.2 GHz	28	30	-	dBm
		f = 5.2 to 5.85 GHz	30	31	-	
Switching Control Speed	t _{sw}	t _{RISE} /t _{FALL} (10/90% RF)	-	20	-	ns
Switching Control Current	I _{cont}		-	0.5	1	μA

STANDARD CHARACTERISTICS FOR REFERENCE

($T_A = +25^\circ\text{C}$, $V_{\text{cont}} = 2.8 \text{ V/0 V}$, $Z_0 = 50 \Omega$, DC blocking capacitors = 3 pF, Each port, unless otherwise specified)

PARAMETER	SYMBOL	TEST CONDITIONS	MIN.	TYP.	MAX.	UNIT
Isolation 2 (between INPUT and OUTPUT)	ISL2	f = 4.9 GHz	-	17	-	dB
		f = 5.2 GHz	-	20	-	dB
		f = 5.8 GHz	-	29	-	dB

EVALUATION CIRCUIT



The application circuits and their parameters are for reference only and are not intended for use in actual design-ins.

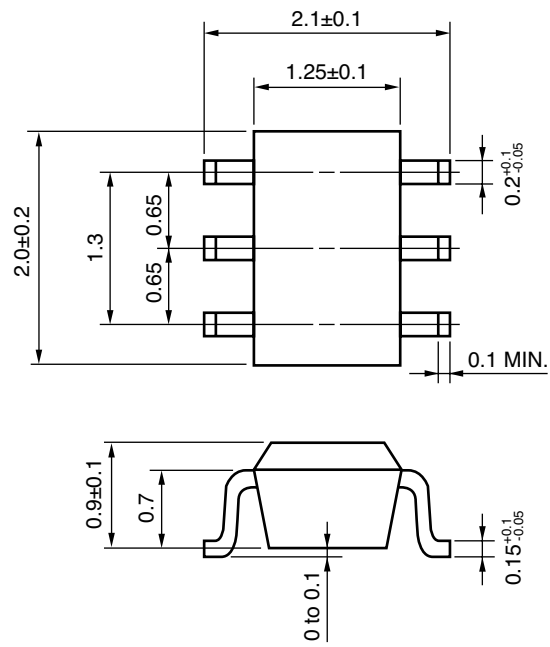
TRUTH TABLE OF SWITCHING BY CONDITION OF CONTROL VOLTAGE

		V _{CONT1}	
		V _{CONT} (H)	V _{CONT} (L)
V _{CONT2}	V _{CONT} (H)	<p>Note</p>	
	V _{CONT} (L)		<p>Note</p>

Note In case of V_{CONT1} = V_{CONT2} = High or V_{CONT1} = V_{CONT2} = Low, (that is same control voltage for both pins), input signal of INPUT (Pin 5) is output from OUTPUT1 (Pin 3) and OUTPUT2 (Pin 1).

PACKAGE DIMENSIONS

6-PIN SUPER MINIMOLD (UNIT:mm)



RECOMMENDED SOLDERING CONDITIONS

This product should be soldered and mounted under the following recommended conditions. For soldering methods and conditions other than those recommended below, contact your nearby sales office.

Soldering Method	Soldering Conditions	Condition Symbol
Infrared Reflow	Peak temperature (package surface temperature) : 260°C or below Time at peak temperature : 10 seconds or less Time at temperature of 220°C or higher : 60 seconds or less Preheating time at 120 to 180°C : 120±30 seconds Maximum number of reflow processes : 3 times Maximum chlorine content of rosin flux (% mass) : 0.2%(Wt.) or below	IR260
VPS	Peak temperature (package surface temperature) : 215°C or below Time at temperature of 200°C or higher : 25 to 40 seconds Preheating time at 120 to 150°C : 30 to 60 seconds Maximum number of reflow processes : 3 times Maximum chlorine content of rosin flux (% mass) : 0.2%(Wt.) or below	VP215
Wave Soldering	Peak temperature (molten solder temperature) : 260°C or below Time at peak temperature : 10 seconds or less Preheating temperature (package surface temperature) : 120°C or below Maximum number of flow processes : 1 time Maximum chlorine content of rosin flux (% mass) : 0.2%(Wt.) or below	WS260
Partial Heating	Peak temperature (pin temperature) : 350°C or below Soldering time (per side of device) : 3 seconds or less Maximum chlorine content of rosin flux (% mass) : 0.2%(Wt.) or below	HS350

Caution Do not use different soldering methods together (except for partial heating).

Life Support Applications

These NEC products are not intended for use in life support devices, appliances, or systems where the malfunction of these products can reasonably be expected to result in personal injury. The customers of CEL using or selling these products for use in such applications do so at their own risk and agree to fully indemnify CEL for all damages resulting from such improper use or sale.

CEL California Eastern Laboratories, Your source for NEC RF, Microwave, Optoelectronic, and Fiber Optic Semiconductor Devices.
 4590 Patrick Henry Drive • Santa Clara, CA 95054-1817 • (408) 988-3500 • FAX (408) 988-0279 • www.cel.com

DATA SUBJECT TO CHANGE WITHOUT NOTICE

05/26/2004

Subject: Compliance with EU Directives

CEL certifies, to its knowledge, that semiconductor and laser products detailed below are compliant with the requirements of European Union (EU) Directive 2002/95/EC Restriction on Use of Hazardous Substances in electrical and electronic equipment (RoHS) and the requirements of EU Directive 2003/11/EC Restriction on Penta and Octa BDE.

CEL Pb-free products have the same base part number with a suffix added. The suffix –A indicates that the device is Pb-free. The –AZ suffix is used to designate devices containing Pb which are exempted from the requirement of RoHS directive (*). In all cases the devices have Pb-free terminals. All devices with these suffixes meet the requirements of the RoHS directive.

This status is based on CEL’s understanding of the EU Directives and knowledge of the materials that go into its products as of the date of disclosure of this information.

Restricted Substance per RoHS	Concentration Limit per RoHS (values are not yet fixed)	Concentration contained in CEL devices	
		-A	-AZ
Lead (Pb)	< 1000 PPM	Not Detected	(*)
Mercury	< 1000 PPM	Not Detected	
Cadmium	< 100 PPM	Not Detected	
Hexavalent Chromium	< 1000 PPM	Not Detected	
PBB	< 1000 PPM	Not Detected	
PBDE	< 1000 PPM	Not Detected	

If you should have any additional questions regarding our devices and compliance to environmental standards, please do not hesitate to contact your local representative.

Important Information and Disclaimer: Information provided by CEL on its website or in other communications concerning the substance content of its products represents knowledge and belief as of the date that it is provided. CEL bases its knowledge and belief on information provided by third parties and makes no representation or warranty as to the accuracy of such information. Efforts are underway to better integrate information from third parties. CEL has taken and continues to take reasonable steps to provide representative and accurate information but may not have conducted destructive testing or chemical analysis on incoming materials and chemicals. CEL and CEL suppliers consider certain information to be proprietary, and thus CAS numbers and other limited information may not be available for release.

In no event shall CEL’s liability arising out of such information exceed the total purchase price of the CEL part(s) at issue sold by CEL to customer on an annual basis.

See CEL Terms and Conditions for additional clarification of warranties and liability.