



Chipsmall Limited consists of a professional team with an average of over 10 year of expertise in the distribution of electronic components. Based in Hongkong, we have already established firm and mutual-benefit business relationships with customers from,Europe,America and south Asia,supplying obsolete and hard-to-find components to meet their specific needs.

With the principle of "Quality Parts,Customers Priority,Honest Operation,and Considerate Service",our business mainly focus on the distribution of electronic components. Line cards we deal with include Microchip,ALPS,ROHM,Xilinx,Pulse,ON,Everlight and Freescale. Main products comprise IC,Modules,Potentiometer,IC Socket,Relay,Connector.Our parts cover such applications as commercial,industrial, and automotives areas.

We are looking forward to setting up business relationship with you and hope to provide you with the best service and solution. Let us make a better world for our industry!



## Contact us

Tel: +86-755-8981 8866 Fax: +86-755-8427 6832

Email & Skype: info@chipsmall.com Web: www.chipsmall.com

Address: A1208, Overseas Decoration Building, #122 Zhenhua RD., Futian, Shenzhen, China



**μPG2415T6X-EVAL-A**

**Evaluation Board**

- Description
- Insertion Loss of Through Board
- Assembly Drawing

## **Description:**

The uPG2415T6X-EVAL-A evaluation board provides a quick and convenient means of evaluating the performance of the NEC uPG2415T6X switch. In addition to the device, the board provides DC block capacitors, power supply bypass capacitors, and RF and DC connectors.

A DC block capacitor is required at all RF ports. On this board, two parallel capacitors of 22pF are used for this purpose. This configuration minimizes the mismatch effect associated with the serial capacitors over a wide frequency range. In a real application where the operation frequency range is relatively narrow, one DC block capacitor usually is sufficient. The user should select the appropriate capacitor value according to the operation frequencies and the type of capacitor selected. Generally the performance of the switch circuit is not sensitive, to a certain extent, to the value of DC block capacitors.

A 1000pF DC bypass capacitor is used on all control lines. For high speed applications the user may choose smaller capacitance.

## **Board Material:**

The board material is 20 mil thick Duroid 6002. Its dielectric constant is 2.94.

## **Switch Logic Table:**

The following table lists the logic table for switch states.

<b>Vcont1</b>	<b>Vcont2</b>	<b>RFC – RF1</b>	<b>RFC – RF2</b>
H	L	ON	OFF
L	H	OFF	ON

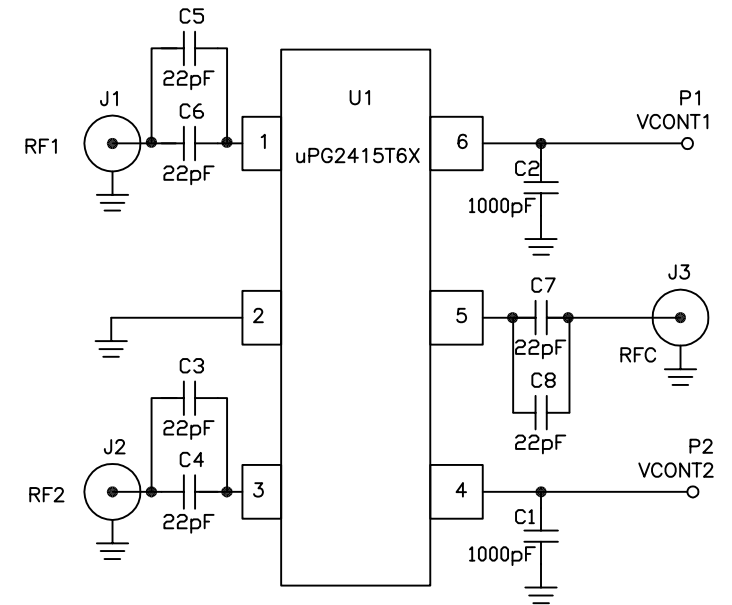
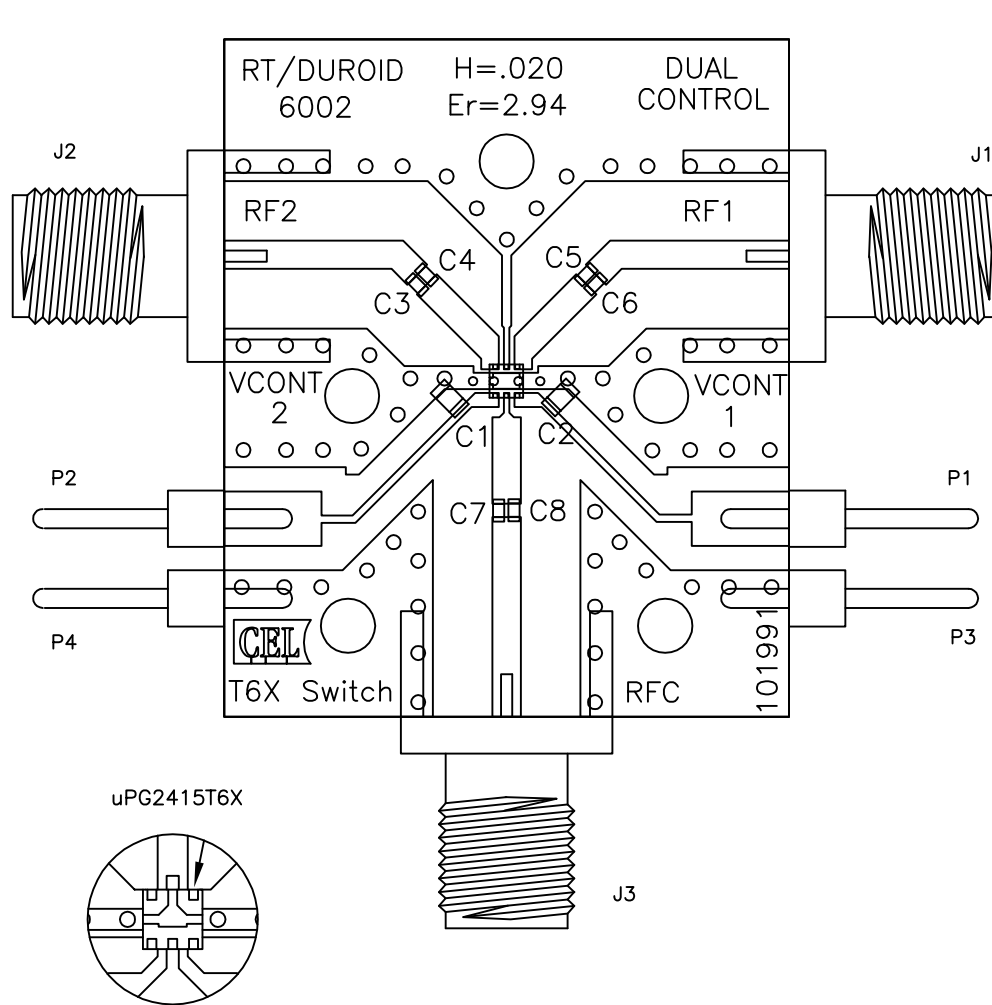
### **Insertion Loss of Through Board:**

The measured insertion loss (S21) of the board is from three contributions: the switch insertion loss, the loss in the DC block capacitors and the insertion loss of the through board. To accurately estimate the insertion loss due to the switch circuit, the board loss should be subtracted from the measured S21 value. The table below lists the board loss at different frequencies. The effect of the capacitor loss is not corrected since in real applications DC block capacitors are required. Nevertheless the capacitor loss can be significant, particularly at high frequencies. For applications where insertion loss is critically important, the DC block capacitor should be carefully chosen to minimize its loss at operation frequency.

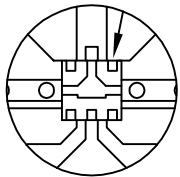
<b>INPUT FREQUENCY (GHz)</b>	<b>BOARD LOSS (dB)</b>
0.5	0.05
1.0	0.07
2.0	0.12
2.5	0.13
3.8	0.18
5.0	0.23
6.0	0.29

REVISIONS				
ZONE	LTR	DESCRIPTION	DATE	APPROVED

Note: C1 and C2 should be placed close to device



uPG2415T6X



MARKING FOR PIN1 IS ON TOP OF CHIP

PACKAGE MARKING: G6E

1	TF-101481	DRAWING	TEST BLOCK	7
2	GRM1885C1H102JA01D	C1,C2	0603 1000pF CAP MURATA	6
6	GRM1555C1H220JZ01D	C3,C4,C5,C6,C7,C8	0402 22pF CAP MURATA	5
4	2340-6111 TG	P1,P2,P3,P4	PIN HEADER 3M	4
3	5308-2CC	J1,J2,J3	SMA FEMALE CONNECTOR TENSOLITE	3
1	uPG2415T6X	U1	IC NEC uPG2415T6X GaAs Switch	2
1	CL-101991	DRAWING	COMPONENT LAYOUT DRAWING	1
QTY	PART OR IDENTIFYING NO.	NOMENCLATURE OR DESCRIPTION	MATERIAL/SPECIFICATION	ITEM NO.

PARTS LIST

UNLESS OTHERWISE SPECIFIED DIMENSIONS ARE IN INCHES		APPROVALS		 4590 PATRICK HENRY DR. SANTA CLARA CA. 95054	
TOLERANCES		Drawing by: M Dong 02/15/2010		TITLE:	
DECIMALS .XX± .01		Designed by: M Dong 02/15/2010		ASSEMBLY DRAWING	
ANGULAR ± 1°		Checked by:		uPG2415T6X-EVAL-A	
DO NOT SCALE DRAWING		Project Engineer:		SIZE	
MATERIAL		Quality Control:		FSCM NO.	
FINISH		Project Engineer: Quality Control:		DWG NO.	
NEXT ASSY USED ON		Project Engineer: Quality Control:		AD-102005	
APPLICATION		Project Engineer: Quality Control:		SCALE NONE	
				RELEASE DATE	
				PROTOTYPE	
				SHEET 1	
				OF 1	
				REV	
				-	