



Chipsmall Limited consists of a professional team with an average of over 10 year of expertise in the distribution of electronic components. Based in Hongkong, we have already established firm and mutual-benefit business relationships with customers from,Europe,America and south Asia,supplying obsolete and hard-to-find components to meet their specific needs.

With the principle of “Quality Parts,Customers Priority,Honest Operation,and Considerate Service”,our business mainly focus on the distribution of electronic components. Line cards we deal with include Microchip,ALPS,ROHM,Xilinx,Pulse,ON,Everlight and Freescale. Main products comprise IC,Modules,Potentiometer,IC Socket,Relay,Connector.Our parts cover such applications as commercial,industrial, and automotives areas.

We are looking forward to setting up business relationship with you and hope to provide you with the best service and solution. Let us make a better world for our industry!



## Contact us

Tel: +86-755-8981 8866 Fax: +86-755-8427 6832

Email & Skype: info@chipsmall.com Web: www.chipsmall.com

Address: A1208, Overseas Decoration Building, #122 Zhenhua RD., Futian, Shenzhen, China



RED INDICATES ORIGINAL

DISK # C 4	DWG SIZE C	DATA CONTAINED IN THIS DOCUMENT IS PROPRIETARY TO TROMPETER ELECTRONICS INC. AND SHALL NOT BE DISCLOSED, COPIED OR USED FOR PROCUREMENT OR MANUFACTURE WITHOUT EXPRESS WRITTEN PERMISSION.	REVISIONS			1-0014	SH 1
			REV	EO	DESCRIPTION	DWN	APPROVED
			AF	8815	ADDED NOTE /B & /G & REDRAWN	J S	5-26-90

DASH NO	FIG	CABLES ACCOMMODATED	A DIM	B FLATS	C HEX	ASSEMBLE PER					
-1/B	1,3	RG-58	.960	.437	.437	TAI-101					
-U1/B		ESSEX 621-715									
-2/B		RG-59									
-U2/B		BELDEN 8279									
-2A		AT&T 730A									
-U2A											
-2B											
-U2B											
-3		RG-223									
-U3		RG-55									
-3A		RG-122									
-U3A		BELDEN 8218									
-4		RG-174									
-U4	RG-187										
-5/B	1	RG-196	1.001	.500	.500	TAI-119					
-5A		HEWLETT-PACKARD 8120-1107									
-5B		BELDEN 9231									
-U5/B		RG-5									
-5A		RG-6									
-6											
-U6											
-6E											
-U6E											
-21		1,3					RG-303	.960	.437	.437	TAI-101
-U21							RG-180				
-22							GRUMMAN 6C8756P1				
-U22							RG-187 DBL SHLD				
-31	BELDEN 8228										
-U31	275-3991 MICRODOT										
-34	616-569 AMPLEX										
-U34	810 RAYCHEM										
-36	RG-304										
-U36	9248 BELDEN										
-37	BRAND-REX 8749										
-U37	60RE C06C032										
-41											
-U41											
-44											
-U44											
-51	1	88281 BELDEN	1.001	.500	.500	TAI-119					
-U51		89120 BELDEN									
-52											
-U52											
-53	1,3	89555 BELDEN	.960	.437	.437	TAI-101					
-U53		734A.AT&T									
-63											
-U63											
-086	2	RG-405	.960	.437	.437	TAI-130					
-U086		RG-402									
-141											
-U141											

FIG 1  
- 1 SHOWN

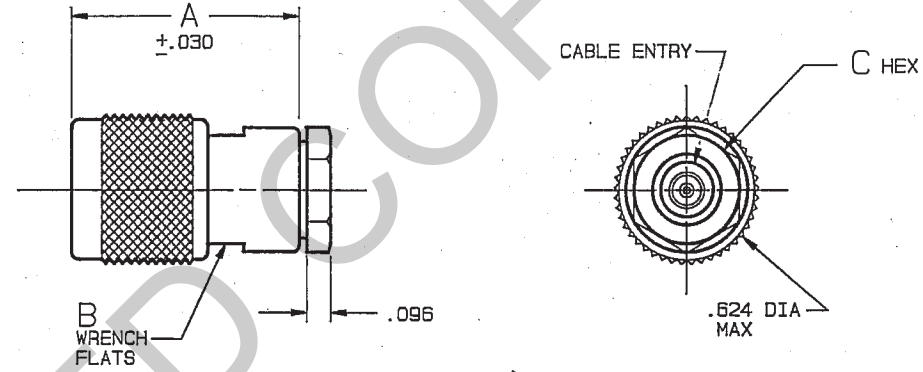


FIG 2  
- 086 SHOWN

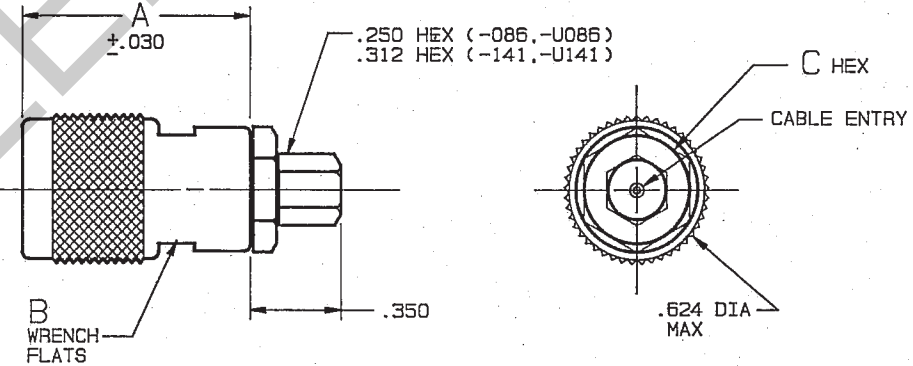
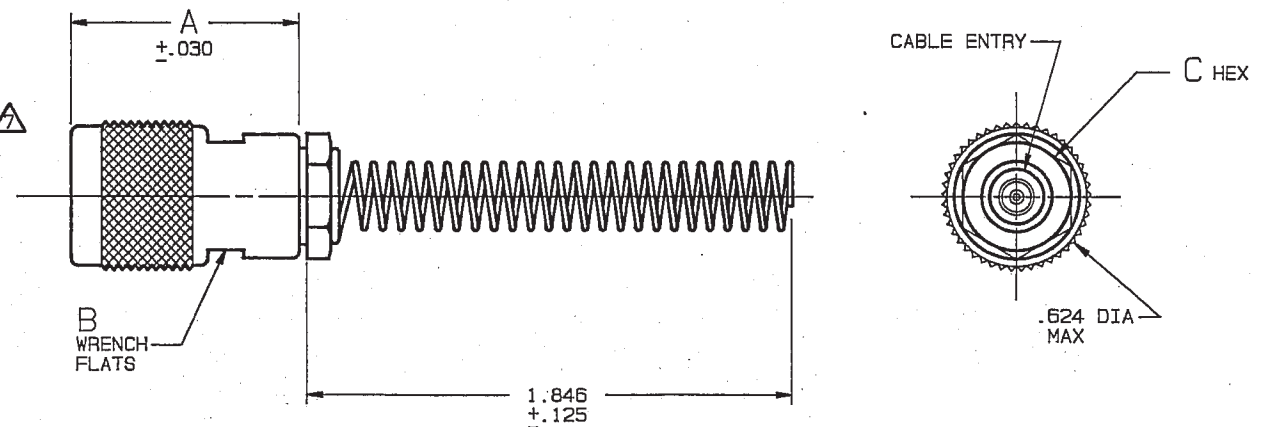


FIG 3  
- 1 SHOWN



INCH	MM
.005	0.13
.030	0.76
.096	2.44
.125	3.18
.250	6.35
.312	7.92
.350	8.89
.437	11.10
.500	12.70
.624	15.85
.960	24.38
1.001	25.43
1.846	46.89

⚠ IF SAFETY WIRE & BEND RELIEF SPRING REQUIRED ADD SUFFIX "SBR" TO MODEL NO. (NOT AVAILABLE WITH CABLE GROUPS -6, -U6, -6E, -U6E, -51, -U51, -52, -U52, -63, -U63, -086, -U086, -141 & -U141)

⚠ IF BEND RELIEF SPRING REQUIRED ADD SUFFIX "BR" TO MODEL NO. (SEE FIG 3) (NOT AVAILABLE WITH CABLE GROUPS -6, -U6, -6E, -U6E, -51, -U51, -52, -U52, -63 & -U63)

⚠ IF SAFETY WIRE REQUIRED ADD SUFFIX "S" TO MODEL NO (PL40S/UPL40S)

4. DASH NO DENOTES CABLE GROUP EXCEPT "U" PREFIX DENOTES 75 OHM VERSION

3. MALE TYPE TNC COAXIAL CABLE PLUG BOTH 50 & 75 OHM VERSIONS

2. FINISH: TFS-1A (NICKEL)

1. ALL DIM ARE IN INCHES

⚠ FOR CABLE GROUPS -1 & -U1 SUPPLY 1 EA ACA1 FOR CABLE GROUPS -2 & -U2 SUPPLY 1 EA ACA2 FOR CABLE GROUPS -5 & -U5 SUPPLY 1 EA ACAS MAY BE ASSEMBLED TO CABLE/CONNECTOR ASSY USING 3M SCOTCHGRIP NO. 1099 PLASTIC ADHESIVE, OR EQUIV.)

⚠ IF PLASTIC STRAIN RELIEF REQUIRED, ADD SUFFIX "BT" TO MODEL NO. (ONLY AVAILABLE WITH -1, -U1, -2, -U2, -5, -U5)

QTY	DESCRIPTION	PART NUMBER	ITEM
11-02	1-0217	1-0026	
12-06	1-0214	105-0489	
105-0717	1-0206	105-0241	
105-0623	1-0205	205-0001	
		NEXT ASSY	

TOL UNLESS SPECIFIED			PL40/S/BR/SBR/ UPL40/S/BR/SBR	
.XX ±	.XXX ± .005		MATERIAL	CODE IDENT
.XXXX ±	ANGLES		14949	DRAWING NO.
DWN	J S 3/18/90		1-0014	REV
CHK	UH 3/23/90	DATE	5/12/66	
ENGR	JM 3/23/90	SHEET	1 OF 2	
APPR	J S 3-23-90	SCALE	2/1	