



Chipsmall Limited consists of a professional team with an average of over 10 year of expertise in the distribution of electronic components. Based in Hongkong, we have already established firm and mutual-benefit business relationships with customers from,Europe,America and south Asia,supplying obsolete and hard-to-find components to meet their specific needs.

With the principle of “Quality Parts,Customers Priority,Honest Operation,and Considerate Service”,our business mainly focus on the distribution of electronic components. Line cards we deal with include Microchip,ALPS,ROHM,Xilinx,Pulse,ON,Everlight and Freescale. Main products comprise IC,Modules,Potentiometer,IC Socket,Relay,Connector.Our parts cover such applications as commercial,industrial, and automotives areas.

We are looking forward to setting up business relationship with you and hope to provide you with the best service and solution. Let us make a better world for our industry!



Contact us

Tel: +86-755-8981 8866 Fax: +86-755-8427 6832

Email & Skype: info@chipsmall.com Web: www.chipsmall.com

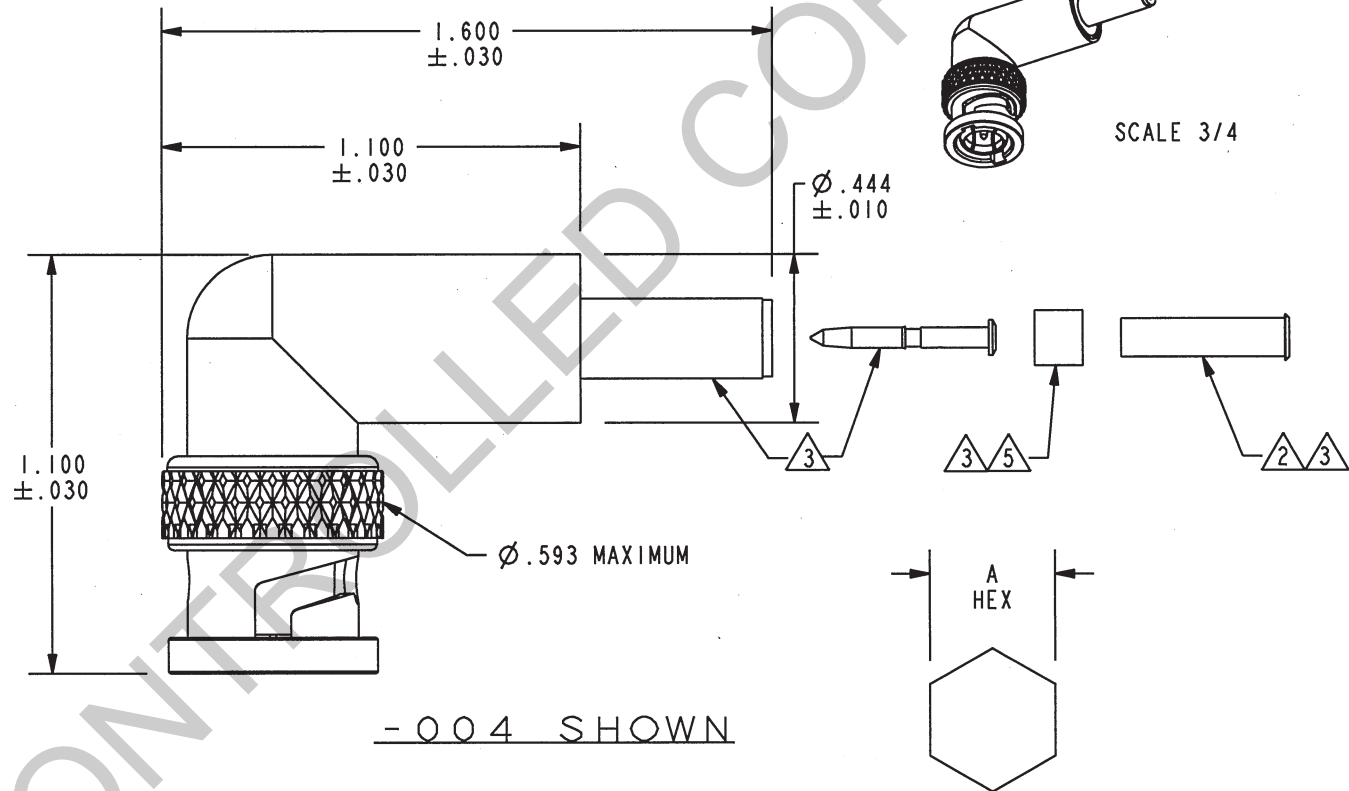
Address: A1208, Overseas Decoration Building, #122 Zhenhua RD., Futian, Shenzhen, China



DASH NO	CABLES ACCOMODATED	A HEX	ASSEMBLE PER	
-003	RG-174, 316	.178	TAI-221	
-004	RG-179, 187			
-005	NORTHERN ELECTRIC DBL-SHLD RG-187	.197		
-006	GC875GP1, GRUMMAN DBL-SHLD RG-188			
-007	275-3991, MICRODOT			
-008	RG-195, -180 421-111, ESSEX	.178		
-009	8218, BELDEN 21-597, ESSEX YR23023, BELDEN			
-011	RG-58, RG-141, RG-303	.213		
-013	RG-59			
-013A	TCC-75-2	.255	TAI-C118	
-013B	RG-62			
-014	8212, BELDEN		TAI-221	
-015	730A, LUCENT	.290	TAI-C118	
-015A	RG-71			
-016	724, LUCENT 8281, BELDEN	.324	TAI-221	
-017	RG-6	.344		
-018	9268, BELDEN			
-019	8279, BELDEN	.255		
-020	9248, BELDEN	.290		
-022	88241, 88269, BELDEN	.255		TAI-C118
-023	89108, BELDEN			TAI-221
-024	89120, BELDEN	.290		
-025	734A, LUCENT	.255		TAI-243
-026	735A, LUCENT			
-026-X		.178		
-027	KS19224L2, LUCENT		TAI-221	
-030	32448A, DRAKA	.324		
-054	1725A/B AVAYA	.344	TAI-231	

DATA CONTAINED IN THIS DOCUMENT IS PROPRIETARY TO TROMPETER ELECTRONICS INC. AND SHALL NOT BE DISCLOSED, COPIED OR USED FOR PROCUREMENT OR MANUFACTURE WITHOUT EXPRESS WRITTEN PERMISSION.

REVISIONS			
REV	DESCRIPTIONS	DATE	APPROVED
P	REVISED PER ECO 16946	8/5/09	MMCCX



-004 SHOWN

RECOMMENDED
HEX CRIMP

6. EXAMPLE OF COMPLETE MODEL NUMBER:

UPLR220 - 025

BASIC MODEL NUMBER

DASH NUMBER (CABLE GROUP)

RED INDICATES ORIGINAL



CONTACT SUPPORT BUSHING REQUIRED
-013B, -015A & -022 ONLY

4. RF COAXIAL 75Ω BNC FULL CRIMP
RIGHT ANGLE CABLE PLUG



PIN, SLEEVE, CRIMP SLEEVE & CONTACT SUPPORT
BUSHING ARE SUPPLIED LOOSE



SLEEVE REQUIRED ON -003 THRU -007 & -027 ONLY

1. FINISH TFS-1A (NICKEL)

NOTES: UNLESS OTHERWISE SPECIFIED.

INTERPRET DRAWING PER MIL-STD-100. DIMENSIONS ARE IN INCHES AND INCLUDE FINISH THICKNESS UNLESS OTHERWISE SPECIFIED.		TOL: UNLESS SPECIFIED. .XX ± .02 .XXX ± .010 ANGLE ± 1°		 a cinch connectivity solutions brand				
DRN	L.M. 8-5-09	MATERIAL:	TITLE:			UPLR220		
CHK	M.J. 8-5-09	QUALITY	FINISH:	SIZE	CAGE CODE			DRAWING NO.
MANUF		APPROVED		A	14949	1-0504	P	
PROJ/ FILE NO.	1-0504	DO NOT SCALE DWG	SCALE	2/1	DATE	3-11-94	SHEET	1C

NEXT ASSY

1-0504

DO NOT SCALE DWG

SCALE 2/1

DATE 3-11-94

SHEET 1C