



Chipsmall Limited consists of a professional team with an average of over 10 year of expertise in the distribution of electronic components. Based in Hongkong, we have already established firm and mutual-benefit business relationships with customers from,Europe,America and south Asia,supplying obsolete and hard-to-find components to meet their specific needs.

With the principle of “Quality Parts,Customers Priority,Honest Operation,and Considerate Service”,our business mainly focus on the distribution of electronic components. Line cards we deal with include Microchip,ALPS,ROHM,Xilinx,Pulse,ON,Everlight and Freescale. Main products comprise IC,Modules,Potentiometer,IC Socket,Relay,Connector.Our parts cover such applications as commercial,industrial, and automotives areas.

We are looking forward to setting up business relationship with you and hope to provide you with the best service and solution. Let us make a better world for our industry!



Contact us

Tel: +86-755-8981 8866 Fax: +86-755-8427 6832

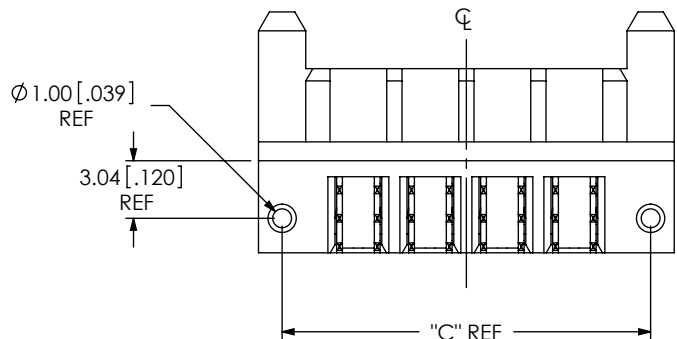
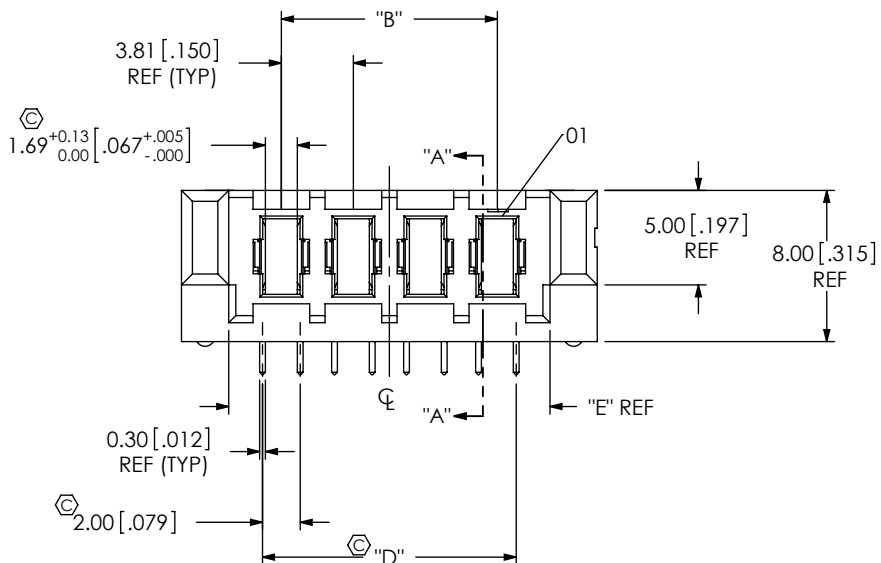
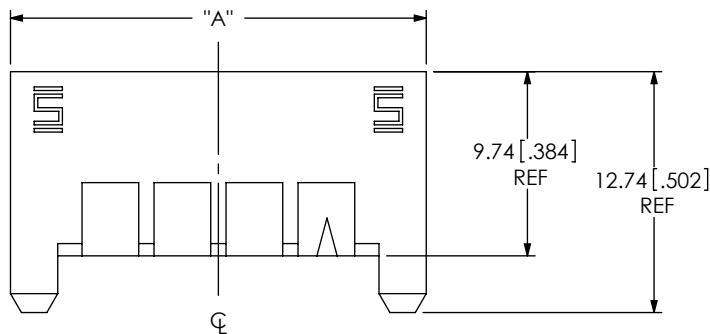
Email & Skype: info@chipsmall.com Web: www.chipsmall.com

Address: A1208, Overseas Decoration Building, #122 Zhenhua RD., Futian, Shenzhen, China



DESIGNED & DIMENSIONED
IN MILLIMETERS [INCHES]

FIG. 1
(UPS-04-01-X-RA SHOWN)



UPS-XX-01-XX-X-RA-XX-XX ^C

No OF POSITIONS
-02: 2 POSITIONS
-04: 4 POSITIONS
-06: 6 POSITIONS
-08: 8 POSITIONS

OPTION
TAPE & REEL
(SEE NOTE 7)

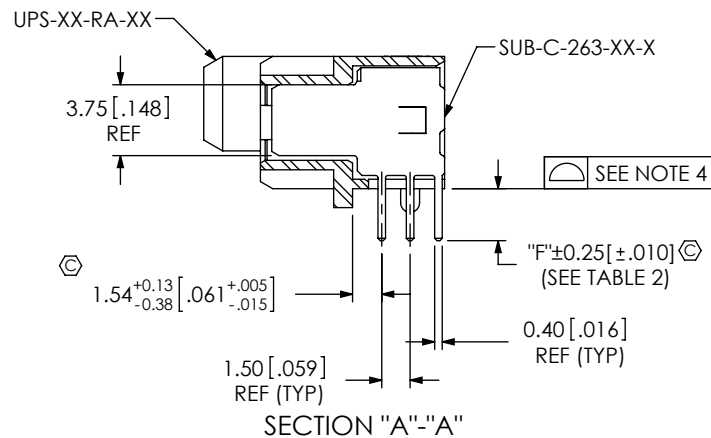
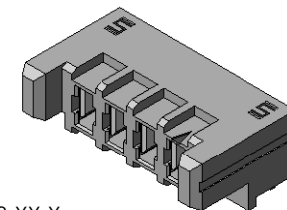
LEAD STYLE
-01

OPTION
-LC: LOCKING CLIP

RIGHT ANGLE

TAIL LENGTH
-01: FOR 1.57 [.062] THICK PCB
(USE SUB-C-263-01-X) (SEE FIG. 1)
-02: FOR 2.36 [.093] THICK PCB
(USE SUB-C-263-02-X) (SEE FIG. 2)

PLATING
-L: (SEE TABLE 3)
-T: (SEE TABLE 3)



^C

PART NUMBER	"A"	"B"	"C"	"D"	"E"
UPS-02-XX-X-RA-XX	14.38 [.566]	3.81 [.150]	11.88 [.468]	5.82 [.229]	9.38 [.369]
UPS-04-XX-X-RA-XX	22.00 [.866]	11.43 [.450]	19.50 [.768]	13.44 [.529]	17.00 [.669]
UPS-06-XX-X-RA-XX	29.62 [1.166]	19.05 [.750]	27.12 [1.068]	21.06 [.829]	24.62 [.969]
UPS-08-XX-X-RA-XX	37.24 [1.466]	26.67 [1.050]	34.74 [1.368]	28.68 [1.129]	32.24 [1.269]

NOTES:

1. ^C REPRESENTS A CRITICAL DIMENSION.
2. BURR ALLOWANCE: 0.038 [.0015] MAX.
3. MINIMUM PUSHOUT FORCE: 4.5N [1.0 LB].
4. MAXIMUM BOW: .15 [.006].
5. MINIMUM -LC PULL OUT FORCE: 2.23 N [0.5LB].
6. NOTE DELETED.
7. PARTS TO BE PACKAGED IN TUBES UNLESS OTHERWISE STATED.

TAIL LENGTH	"F"	SUB-C-263-XX-X
-01	2.82 [0.111]	SUB-C-263-01-X
-02	3.58 [0.141]	SUB-C-263-02-X

UNLESS OTHERWISE SPECIFIED,
DIMENSIONS ARE IN MILLIMETERS.
TOLERANCES ARE:
DECIMALS ANGLES
X.X: ±0.3 [.01] 2°
X.XX: ±0.13 [.005]
X.XXX: ±0.051 [.0020]

PROPRIETARY NOTE
THIS DOCUMENT CONTAINS INFORMATION
CONFIDENTIAL AND PROPRIETARY TO
SAMTEC, INC. AND SHALL NOT BE REPRODUCED
OR TRANSFERRED TO OTHER DOCUMENTS OR
DISCLOSED TO OTHERS OR USED FOR ANY
PURPOSE OTHER THAN THAT WHICH IT WAS
OBTAINED WITHOUT THE EXPRESSED WRITTEN
CONSENT OF SAMTEC, INC.

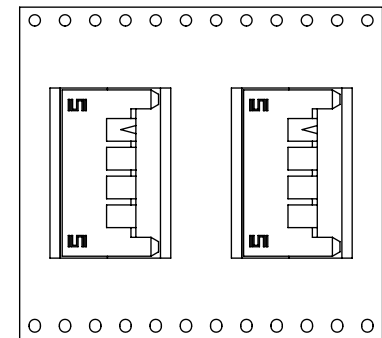
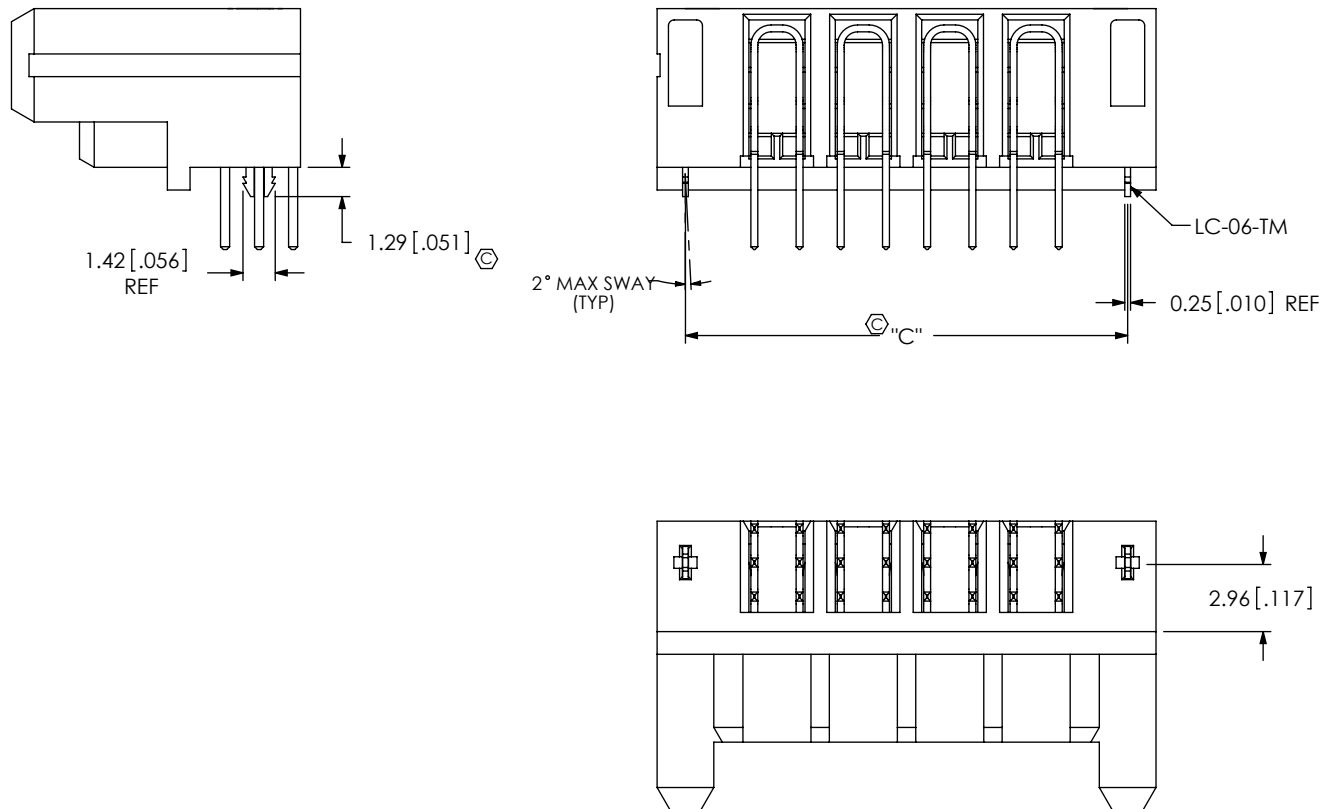


520 PARK EAST BLVD., NEW ALBANY, IN 47150
PHONE: 812-944-6733 FAX: 812-948-5047
e-Mail: info@SAMTEC.com code: 55322

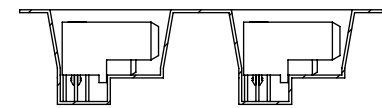
MATERIAL: DO NOT SCALE DRAWING SHEET SCALE: 2:5:1
INSULATOR: LCP, COLOR: BLACK
TERMINAL: BeCu
LOCKING CLIP: PHOS BRONZE

DESCRIPTION:
UPS-RA, ASSEMBLY
DWG. NO.
^C UPS-XX-01-XX-X-RA-XX-XX
BY: B RAY 10/09/2008 SHEET 1 OF 2

FIG. 2
(UPS-04-01-X-RA-LC SHOWN)
(SAME AS FIG. 1, DIFFERENT AS SHOWN)



USER DIRECTION OF UN-REELING →
POCKET NOT DETAILED



PACKAGING VIEW

PACKAGING TUBE VIEW

TABLE 3

PLATING	POWER PIN CONTACT AREA	POWER PIN TAIL
-L	LIGHT GOLD	MATTE TIN
-T	MATTE TIN	MATTE TIN

TUBE TABLE

TAIL LENGTH	TUBE	PLUG
ALL	PT-1-24-01-40	TP-13

PROPRIETARY NOTE
THIS DOCUMENT CONTAINS INFORMATION
CONFIDENTIAL AND PROPRIETARY TO
SAMTEC, INC. AND SHALL NOT BE REPRODUCED
OR TRANSFERRED TO OTHER DOCUMENTS OR
DISCLOSED TO OTHERS OR USED FOR ANY
PURPOSE OTHER THAN THAT WHICH IT WAS
OBTAINED WITHOUT THE EXPRESSED WRITTEN
CONSENT OF SAMTEC, INC.

DO NOT SCALE DRAWING

SHEET SCALE: 2:1



520 PARK EAST BLVD, NEW ALBANY, IN 47150
PHONE: 812-944-6733 FAX: 812-948-5047
e-Mail: info@SAMTEC.com code: 55322

DESCRIPTION:
UPS-RA, ASSEMBLY

DWG. NO.
UPS-XX-01-XX-X-RA-XX-XX

BY: B RAY 10/09/2008 SHEET 2 OF 2