



Chipsmall Limited consists of a professional team with an average of over 10 year of expertise in the distribution of electronic components. Based in Hongkong, we have already established firm and mutual-benefit business relationships with customers from,Europe,America and south Asia,supplying obsolete and hard-to-find components to meet their specific needs.

With the principle of “Quality Parts,Customers Priority,Honest Operation,and Considerate Service”,our business mainly focus on the distribution of electronic components. Line cards we deal with include Microchip,ALPS,ROHM,Xilinx,Pulse,ON,Everlight and Freescale. Main products comprise IC,Modules,Potentiometer,IC Socket,Relay,Connector.Our parts cover such applications as commercial,industrial, and automotives areas.

We are looking forward to setting up business relationship with you and hope to provide you with the best service and solution. Let us make a better world for our industry!



## Contact us

Tel: +86-755-8981 8866 Fax: +86-755-8427 6832

Email & Skype: info@chipsmall.com Web: www.chipsmall.com

Address: A1208, Overseas Decoration Building, #122 Zhenhua RD., Futian, Shenzhen, China



**UPS835L**

**SURFACE MOUNT  
 POWERMITE® 3 Surface Mount Power Package**

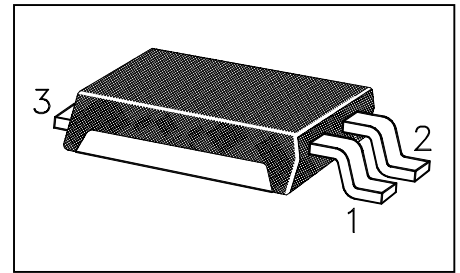
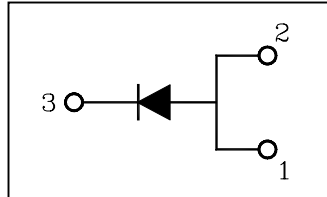
**SCHOTTKY BARRIER  
 RECTIFIER  
 8 AMP 35 VOLT**

Features

- Low Profile – Maximum height of 1.1 mm
- Footprint Area of 16.51 mm
- Low  $V_F$  Provides Higher Efficiency
- Supplied in 16mm Tape and Reel – 6000 units/reel
- Low Thermal Resistance with Direct Thermal Path of Die on Exposed Cathode Heat Sink

Mechanical Characteristics

- Case: Molded Epoxy
- Meets UL94VO at 1/8 inch
- Weight: 72 milligrams (approximate)
- Device Marking UPS835L
- Lead and Mounting Surface Temperature for Soldering = 260°C Maximum for 10 Seconds



Maximum Ratings

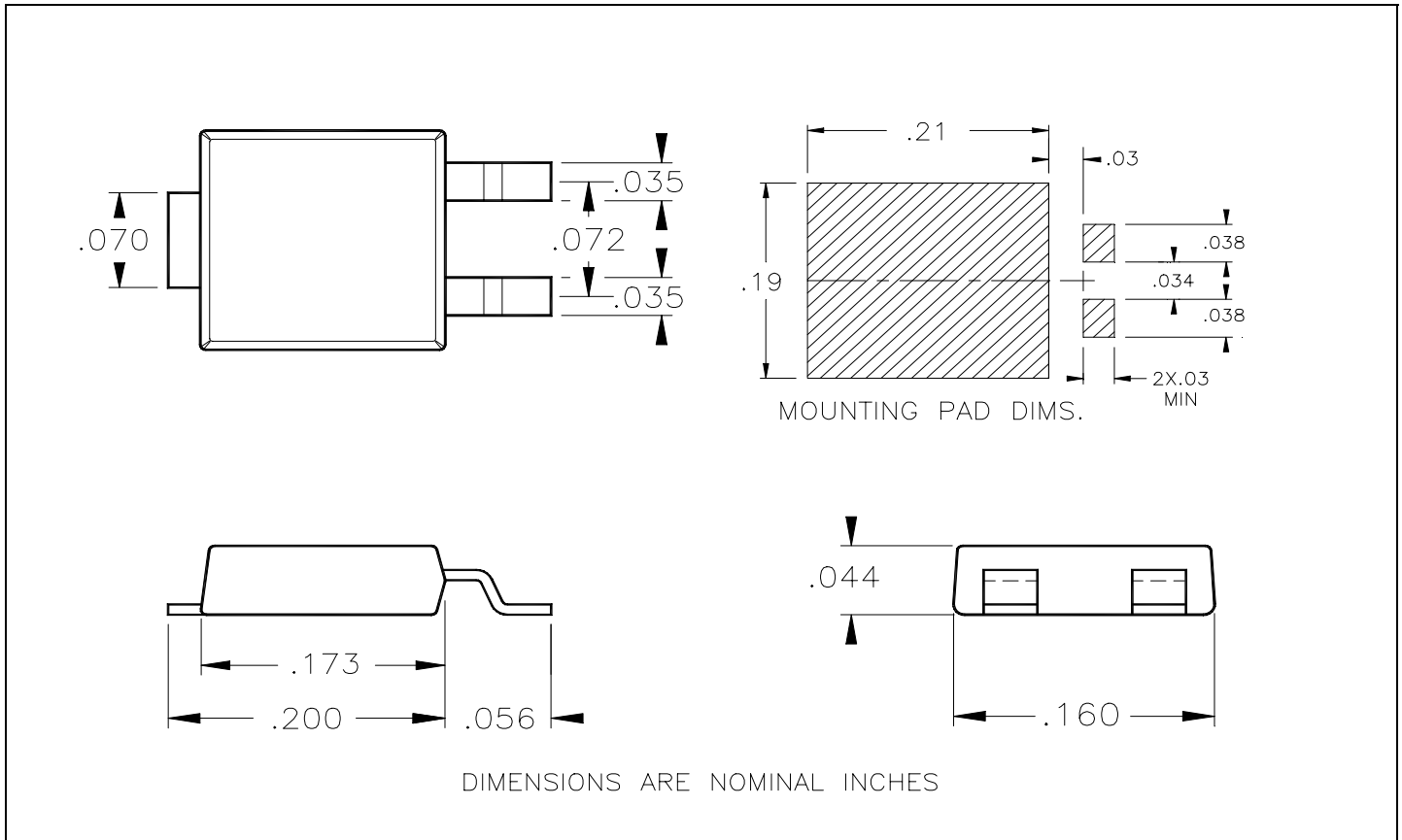
RATING	(Conditions)	SYMBOL	VALUE	UNIT
Peak Repetitive Reverse Voltage		$V_{RRM}$	35	V
Working Peak Reverse Voltage		$V_{RWM}$	35	V
DC Blocking Voltage		$V_R$	35	V
Average Rectified Forward Current	(@ Rated $V_R$ and $T_C = 100^\circ\text{C}$ )	$I_O$	8	A
Repetitive Peak Surge Current	(Non-Repetitive peak surge current @ $I_O = 8$ Amps )	$I_{FSM}$	100	A
Storage Temperature Range		$T_{stg}, T_C$	- 55 to 150	°C
Operating Temperature Range		$T_J$	- 55 to 125	°C
Voltage Rate of Change	(@ Rated $V_R$ and $T_J = 25^\circ\text{C}$ )	$dv/dt$	1000	V/us

Thermal Characteristics

Thermal Resistance, Junction – to -- Case	$R_{tjtab}$	3	°C/W
Thermal Resistance, Junction-to-Ambient	$R_{tja}$	60	°C/W

**Electrical Characteristics**

RATING	(Conditions)	SYMBOL	VALUE	UNITS
Maximum Instantaneous Forward Voltage	( $I_F = 8$ Amps, $T_C = + 25^\circ\text{C}$ )	$V_F$	0.51	Volts
	( $I_F = 8$ Amps, $T_C = +125^\circ\text{C}$ )	$V_F$	0.41	
Maximum Instantaneous Reverse Current	(Rated Vdc, $T_C = + 25^\circ\text{C}$ )	$I_R$	1.40	mA
	(Rated Vdc, $T_C = + 125^\circ\text{C}$ )	$I_R$	35.0	


**MECHANICAL SPECIFICATIONS**