



Chipsmall Limited consists of a professional team with an average of over 10 year of expertise in the distribution of electronic components. Based in Hongkong, we have already established firm and mutual-benefit business relationships with customers from,Europe,America and south Asia,supplying obsolete and hard-to-find components to meet their specific needs.

With the principle of “Quality Parts,Customers Priority,Honest Operation,and Considerate Service”,our business mainly focus on the distribution of electronic components. Line cards we deal with include Microchip,ALPS,ROHM,Xilinx,Pulse,ON,Everlight and Freescale. Main products comprise IC,Modules,Potentiometer,IC Socket,Relay,Connector.Our parts cover such applications as commercial,industrial, and automotives areas.

We are looking forward to setting up business relationship with you and hope to provide you with the best service and solution. Let us make a better world for our industry!



Contact us

Tel: +86-755-8981 8866 Fax: +86-755-8427 6832

Email & Skype: info@chipsmall.com Web: www.chipsmall.com

Address: A1208, Overseas Decoration Building, #122 Zhenhua RD., Futian, Shenzhen, China



USB-4604B

USB-4604BM

4-port RS-232 Serial to USB Converter

4-port RS-232/422/485 Serial to USB Converter



Features

- Full compliance with USB V1.1 and V2.0 specifications
- RS-232/422/485 port supported
- Transmission speed up to 921.6 kbps
- Automatic RS-485 data flow control
- Bus-powered; no need for external power supply
- Plug & Play installation
- No additional IRQs or I/O ports required
- EMC Level 4 protection

Introduction

USB-4604 series allows PC users to connect a serial device to a system that use a USB interface. To attach the USB-4604B/4604BM to a PC, you don't need to open the chassis or power down your PC. Instantly get extra high-speed RS-232/422/485 ports. The power is derived from the USB port, so there are no power adapters to deal with. This makes the USB-4604B/4604BM especially suitable for modems, printers, POS systems and industrial control devices.

Supporting USB2.0 high speed, USB-4604B/4604BM features several powerful functions such as high-speed 921.6 kbps transmission, support for various operating systems, independent RS-232/422/485 ports and more. By simply plugging in a USB hub, USB-4604B and USB-4604BM eliminates the configuration issues associated with high-priced, older card solutions. You only have to install the drivers, no need to set cards slots, IRQ addresses, DMA channels, or device addresses. This reduces programming effort.

Specifications

General

- **Certifications** CE, FCC (Class A)
- **Connectors** 1 x USB Type B (Type A to Type B cable provided)
4 x DB9
- **Enclosure** ABS+PC
- **USB Cable** Max. 15ft (4.6 m)

Power Requirements

- **Power Input** 12 to 48 V_{DC} (external) or 5 V_{DC} (Bus powered)
- **Power Consumption** 130 mA @ 5 V (Typical)
200 mA @ 5 V (Max.)

Special Communications

- **Port Type** RS-232/422/485, software selectable
- **No. of Ports** 4
- **Port Connector** DB9 male
- **Data Bits** 5, 6, 7, 8
- **Stop Bits** 1, 2
- **Parity** None, Odd, Even, Space, Mark
- **Flow Control** XON/XOFF, RTS/CTS
- **Baud Rate** 50 bps ~ 921.6 kbps, any baud rate setting
- **Serial Signals** RS-232: TxD, RxD, CTS, RTS, DTR, DSR, DCD, RI, GND
RS-422: TxD+, TxD-, RxD+, RxD-, GND
RS-485: Data+, Data-, GND
- **Protection** 15 KV ESD for all signals

Mechanism

- **Dimensions** 132 x 80 x 32 mm
- **Enclosure** ABS+PC
- **Mounting** DIN-rail, panel

Software

- **Driver Support** Windows XP/7/8/8.1, Windows Server 2008/2012/2012 R2

Environment

- **Operating Temperature** -40 ~ 75°C (-40 ~ 167° F)
- **Storage Temperature** -40 ~ 80° C (-40 ~ 176° F)
- **Operating Humidity** 10 ~ 95% RH

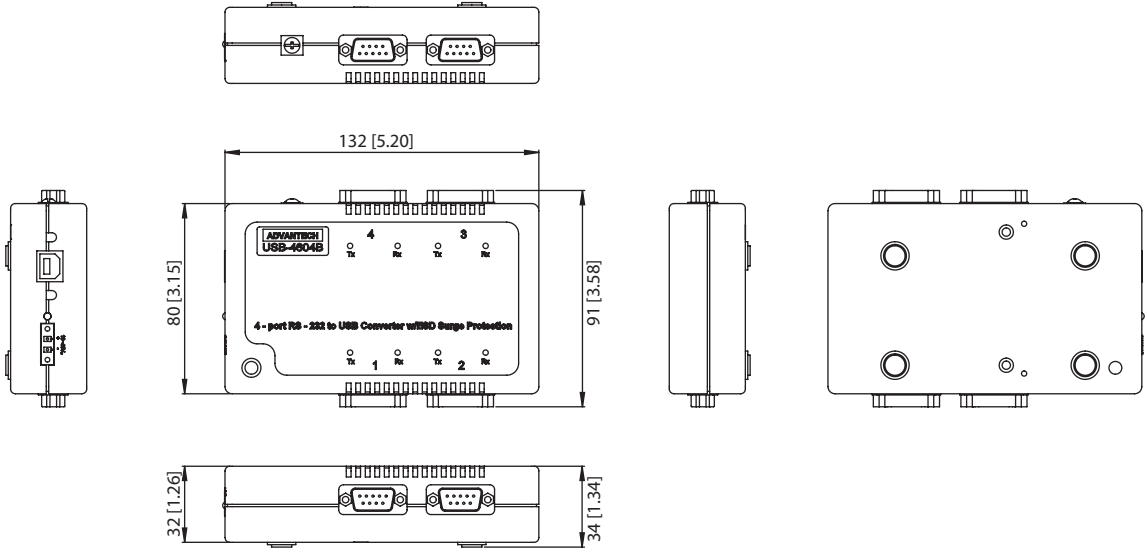
Regulatory Approvals

- **EMC** CE, FCC Part 15 Subpart B (Class A)

Dimensions

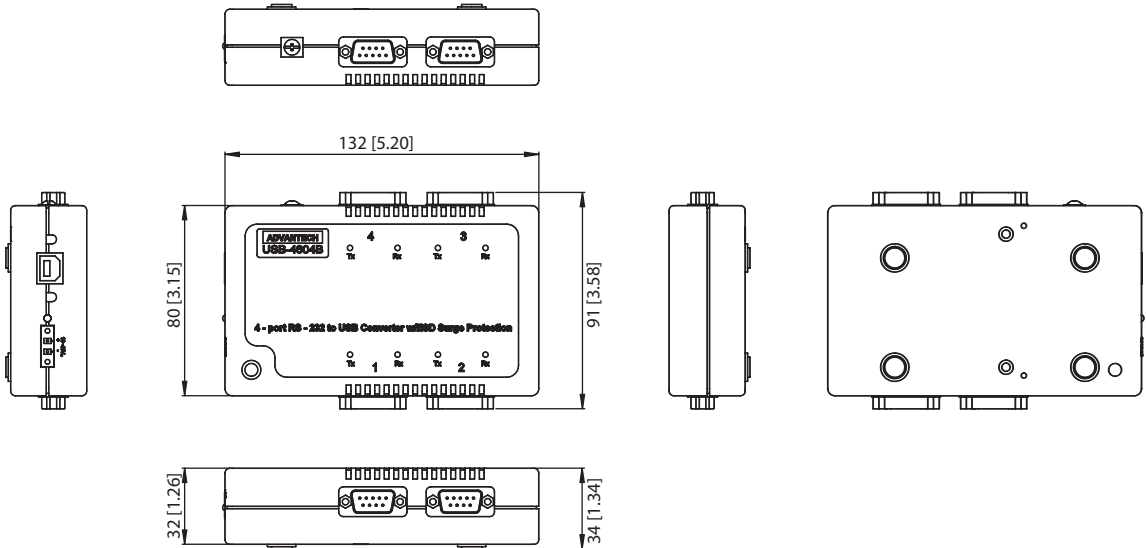
Unit: [mm]

USB-4604B



Panel Cut-out Dimensions: 132 x 80 x 32 mm (5.2" x 3.15" x 1.26")

USB-4604BM



Panel Cut-out Dimensions: 132 x 80 x 32 mm (5.2" x 3.15" x 1.26")

Ordering Information

- **USB-4604B** 4-port RS-232 Serial to USB Converter
- **USB-4604BM** 4-port RS-232/422/485 Serial to USB Converter