



Chipsmall Limited consists of a professional team with an average of over 10 year of expertise in the distribution of electronic components. Based in Hongkong, we have already established firm and mutual-benefit business relationships with customers from,Europe,America and south Asia,supplying obsolete and hard-to-find components to meet their specific needs.

With the principle of “Quality Parts,Customers Priority,Honest Operation,and Considerate Service”,our business mainly focus on the distribution of electronic components. Line cards we deal with include Microchip,ALPS,ROHM,Xilinx,Pulse,ON,Everlight and Freescale. Main products comprise IC,Modules,Potentiometer,IC Socket,Relay,Connector.Our parts cover such applications as commercial,industrial, and automotives areas.

We are looking forward to setting up business relationship with you and hope to provide you with the best service and solution. Let us make a better world for our industry!



## Contact us

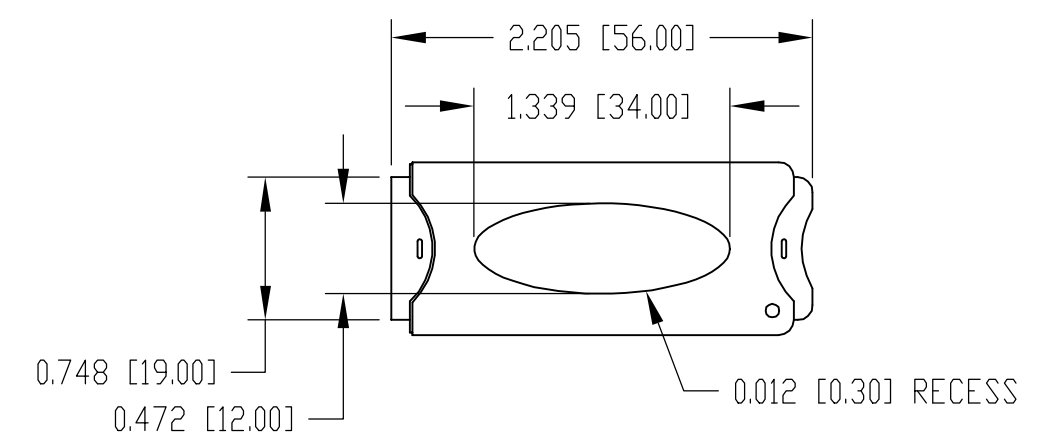
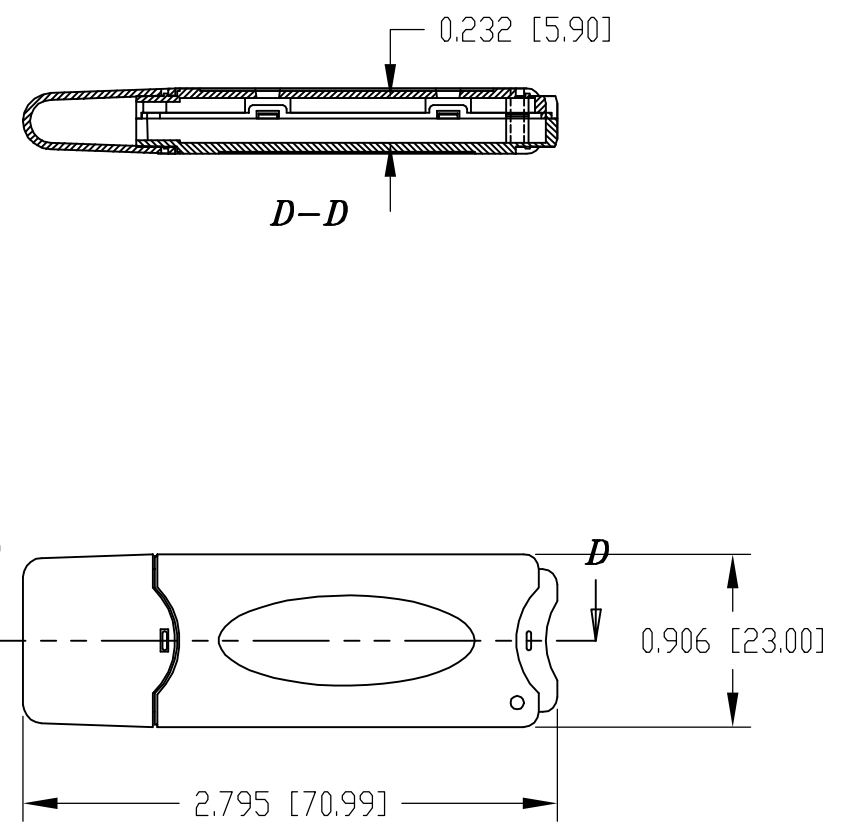
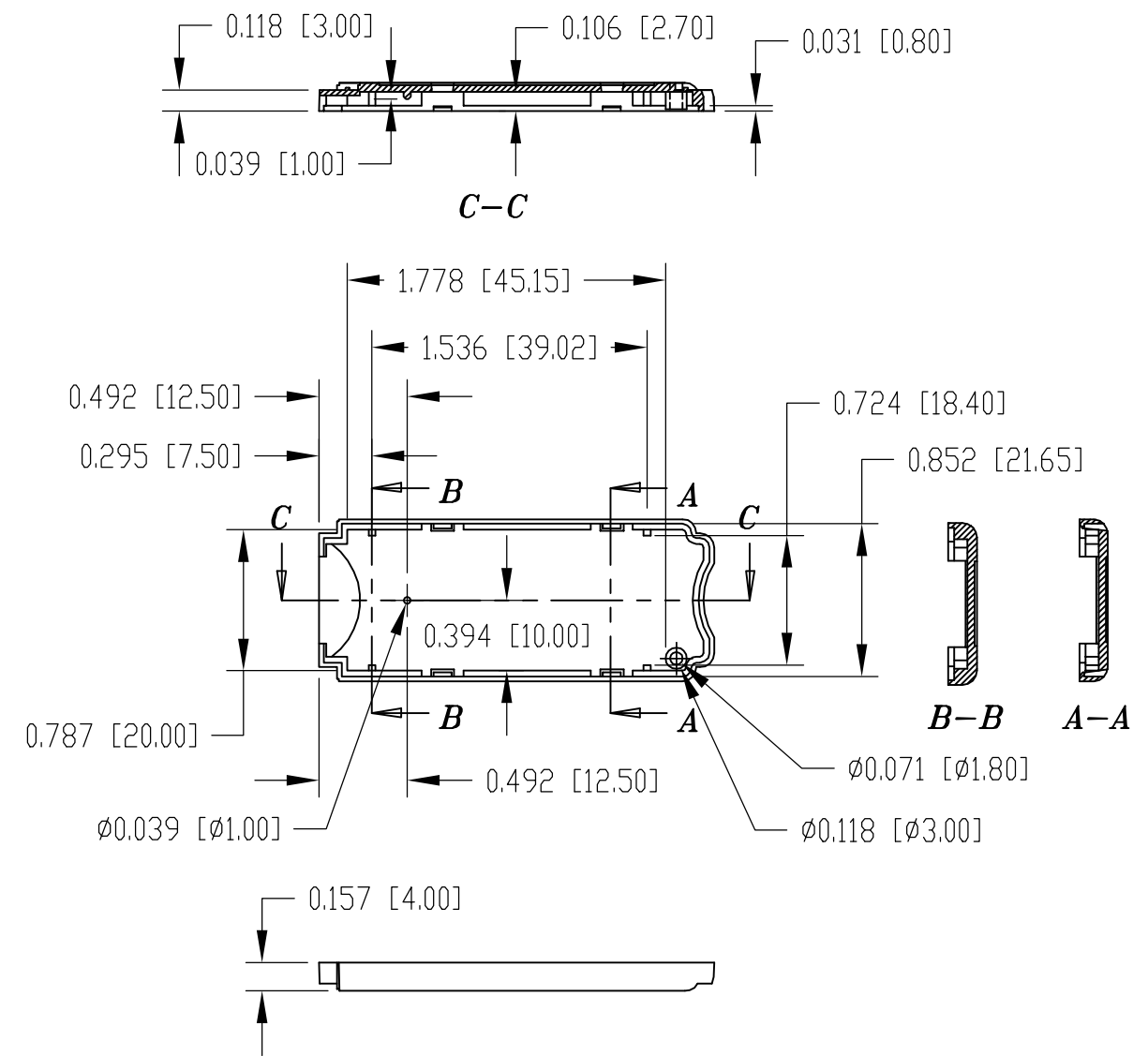
Tel: +86-755-8981 8866 Fax: +86-755-8427 6832

Email & Skype: info@chipsmall.com Web: www.chipsmall.com

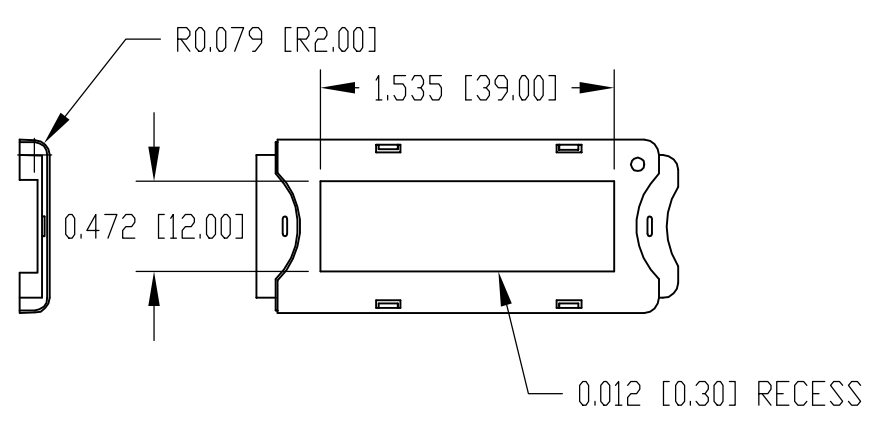
Address: A1208, Overseas Decoration Building, #122 Zhenhua RD., Futian, Shenzhen, China



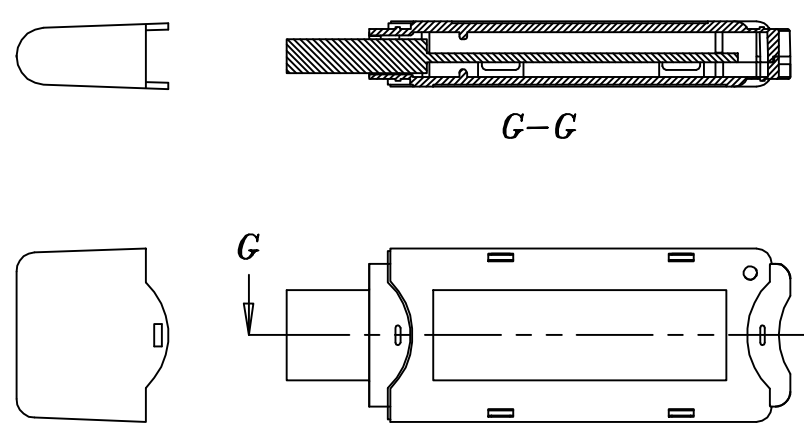
DWG. NO.	USB-7201
ISSUE	REVISIONS
(A)	ADDED DIMENSIONS 3-1-10 DAB



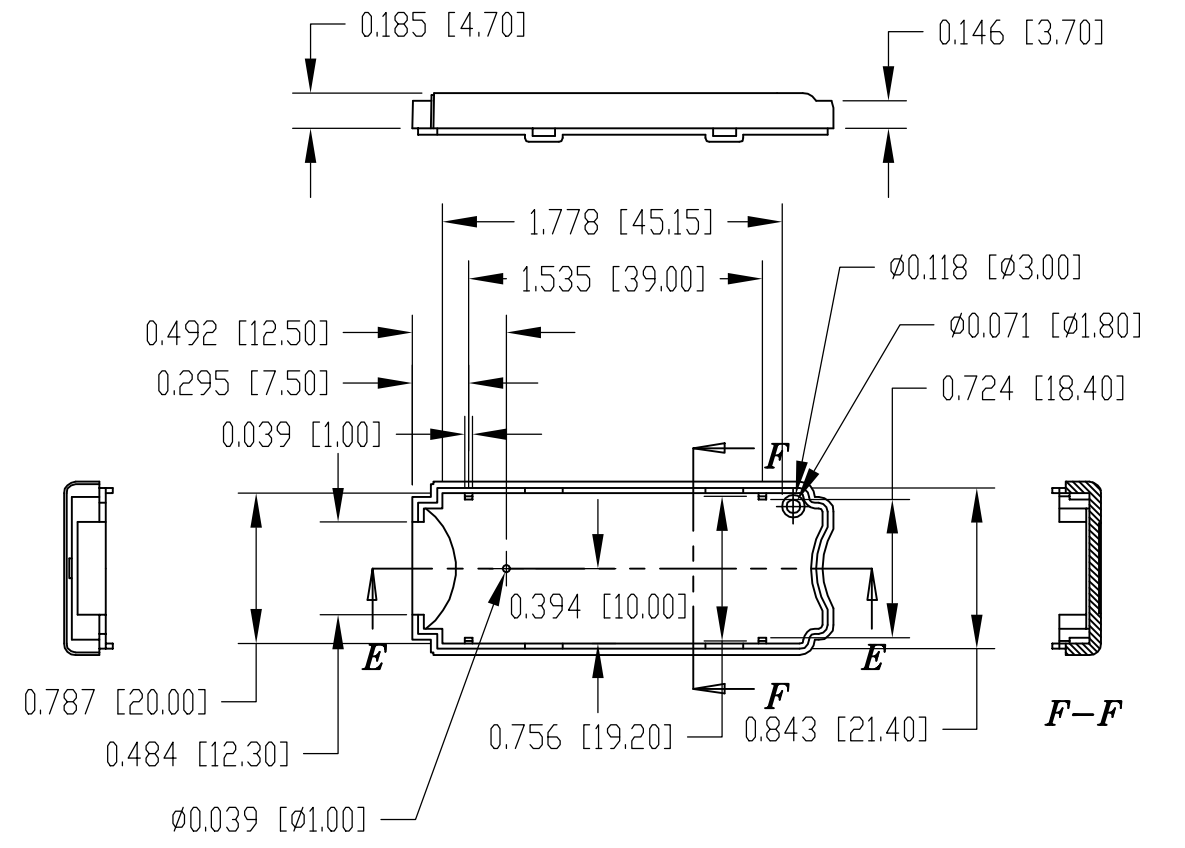
ASSEMBLED UNIT



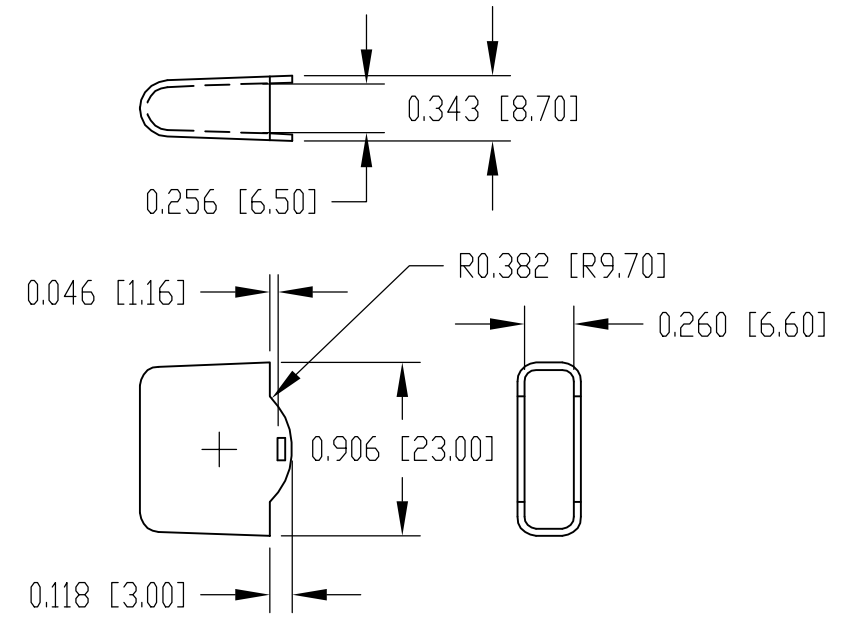
BASE



RECOMMENDED PCB SIZE



LID



CAP

USB-7201-G (GRAY) MATERIAL:  
HIGH IMPACT ABS UL94-HB  
USB-7201-C (CLEAR) MATERIAL:  
POLYCARBONATE UL94V-0

ITEM	REQ'D.	PART NO.	DESCRIPTION
TOLERANCES:			NAME:
±.005 BETWEEN HOLE CENTERS			USB ENCLOSURE
±.015 FROM SHEARED EDGE			
±.032 FROM A BENT SURFACE			BUD INDUSTRIES, INC.
±.063 BETWEEN ASSEMBLED SURFACES			
UNLESS OTHERWISE SPECIFIED			WILLOUGHBY, OHIO
QTY.	USED ON	SCALE:	
			USB-7201