



Chipsmall Limited consists of a professional team with an average of over 10 year of expertise in the distribution of electronic components. Based in Hongkong, we have already established firm and mutual-benefit business relationships with customers from,Europe,America and south Asia,supplying obsolete and hard-to-find components to meet their specific needs.

With the principle of “Quality Parts,Customers Priority,Honest Operation,and Considerate Service”,our business mainly focus on the distribution of electronic components. Line cards we deal with include Microchip,ALPS,ROHM,Xilinx,Pulse,ON,Everlight and Freescale. Main products comprise IC,Modules,Potentiometer,IC Socket,Relay,Connector.Our parts cover such applications as commercial,industrial, and automotives areas.

We are looking forward to setting up business relationship with you and hope to provide you with the best service and solution. Let us make a better world for our industry!



## Contact us

Tel: +86-755-8981 8866 Fax: +86-755-8427 6832

Email & Skype: info@chipsmall.com Web: www.chipsmall.com

Address: A1208, Overseas Decoration Building, #122 Zhenhua RD., Futian, Shenzhen, China



DO NOT SCALE FROM THIS PRINT

**USB-A-S-X-X-TH-X**

TYPE  
-A

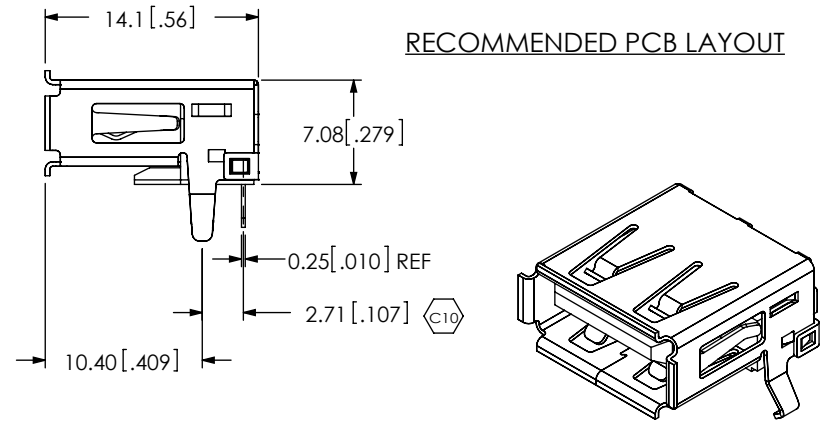
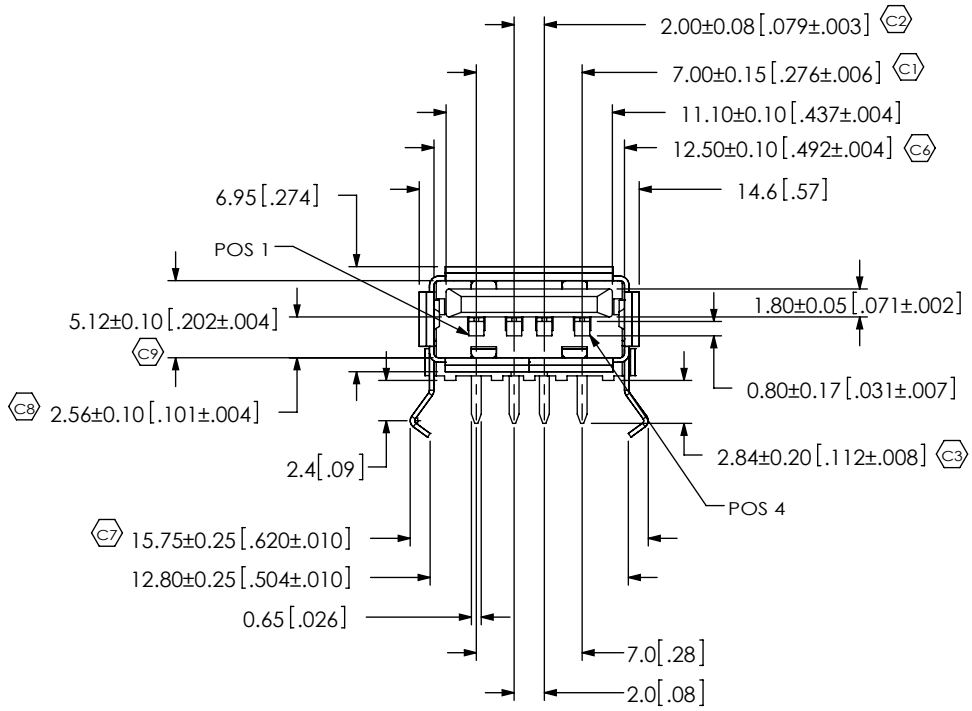
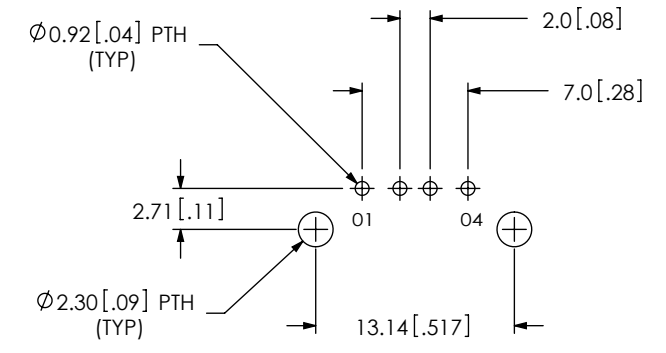
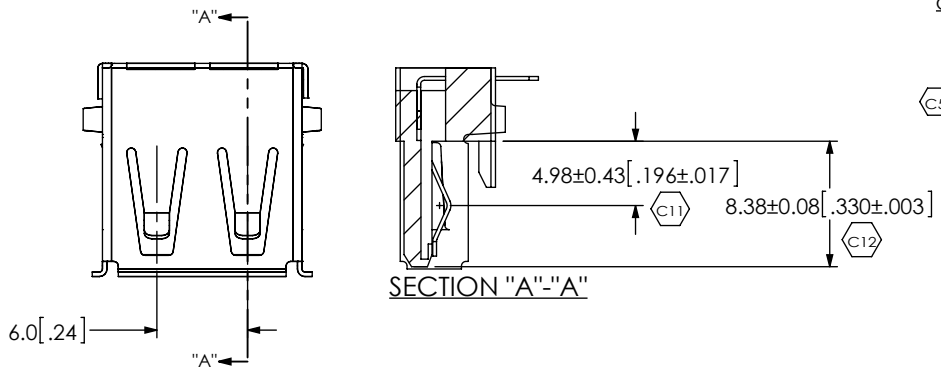
E&I OPTION  
-R: RoHS COMPLIANT

TERMINATION  
-TH: THRU HOLE

COLOR  
-B: BLACK  
-W: WHITE

CONFIGURATION  
-S: SINGLE

PLATING SPECIFICATION  
 C5 -F: GOLD FLASH ON MATING AREA  
 MATTE TIN ON TAILS  
 -S: SELECTIVE, .000030 GOLD ON MATING AREA  
 MATTE TIN ON TAILS



- NOTES:
1. C REPRESENTS A CRITICAL DIMENSION.
  2. NOTE DELETED.

UNLESS OTHERWISE SPECIFIED, DIMENSIONS ARE IN MM[IN]. TOLERANCES ARE: DECIMALS      ANGLES .X: ±.3 [.01]      2° .XX: ±.13 [.005] .XXX: ±.05 [.0020]	* PROPRIETARY NOTE THIS DOCUMENT CONTAINS CONFIDENTIAL AND PROPRIETARY INFORMATION AND ALL DESIGN, MANUFACTURING, REPRODUCTION, USE, PATENT RIGHTS AND SALES RIGHTS ARE EXPRESSLY RESERVED BY SAMTEC, INC. THIS DOCUMENT SHALL NOT BE DISCLOSED, IN WHOLE OR PART, TO ANY UNAUTHORIZED PERSON OR ENTITY NOR REPRODUCED, TRANSFERRED OR INCORPORATED IN ANY OTHER PROJECT IN ANY MANNER WITHOUT THE EXPRESS WRITTEN CONSENT OF SAMTEC, INC.		520 PARK EAST BLVD, NEW ALBANY, IN 47150 PHONE: 812-944-6733    FAX: 812-948-5047 e-Mail: info@SAMTEC.com    code: 55322
			DESCRIPTION: USB A, SINGLE, THRU HOLE
MATERIAL:      DO NOT SCALE DRAWING      SHEET SCALE: 2:1 INSULATOR: PBT, (RATED UL 94V-0) CONTACT: PHOSPHOR BRONZE SHIELD: BRASS, NICKEL PLATED MAX FLASH ALLOWED: .05 MAX GATE VESTIGE: .05	DWG. NO. <b>USB-A-S-X-X-TH-X</b>	BY: TIM P.      1/11/06      SHEET 1 OF 1	