



Chipsmall Limited consists of a professional team with an average of over 10 year of expertise in the distribution of electronic components. Based in Hongkong, we have already established firm and mutual-benefit business relationships with customers from,Europe,America and south Asia,supplying obsolete and hard-to-find components to meet their specific needs.

With the principle of “Quality Parts,Customers Priority,Honest Operation,and Considerate Service”,our business mainly focus on the distribution of electronic components. Line cards we deal with include Microchip,ALPS,ROHM,Xilinx,Pulse,ON,Everlight and Freescale. Main products comprise IC,Modules,Potentiometer,IC Socket,Relay,Connector.Our parts cover such applications as commercial,industrial, and automotives areas.

We are looking forward to setting up business relationship with you and hope to provide you with the best service and solution. Let us make a better world for our industry!



## Contact us

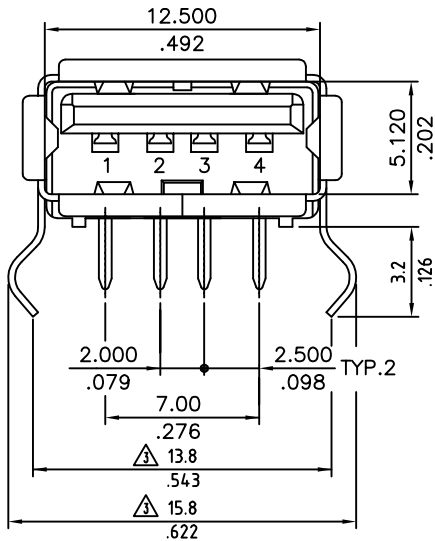
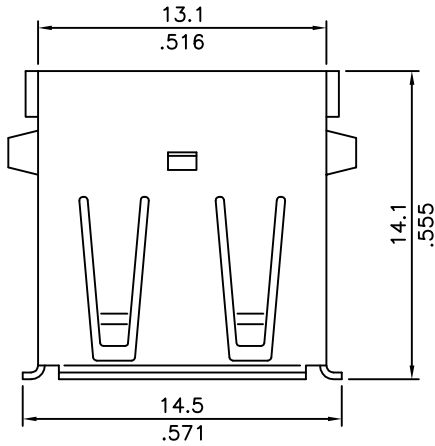
Tel: +86-755-8981 8866 Fax: +86-755-8427 6832

Email & Skype: info@chipsmall.com Web: www.chipsmall.com

Address: A1208, Overseas Decoration Building, #122 Zhenhua RD., Futian, Shenzhen, China



SIGN	DATE	DESCRIPTION	APPROVER
△	2012.10.03	USB 2.0 detail added	SHIN
<i>THIS IS CAD DRAWING, DO NOT REVISE MANUALLY!!!</i>			



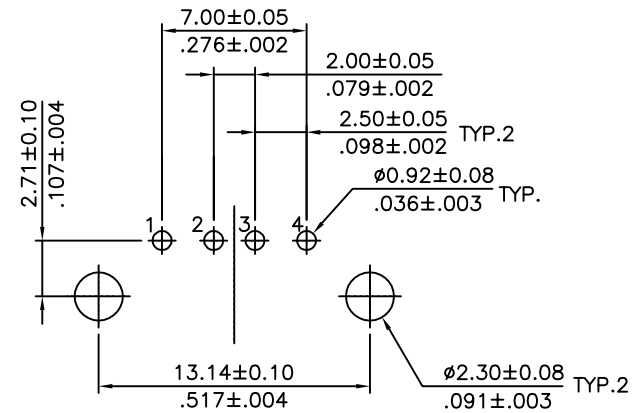
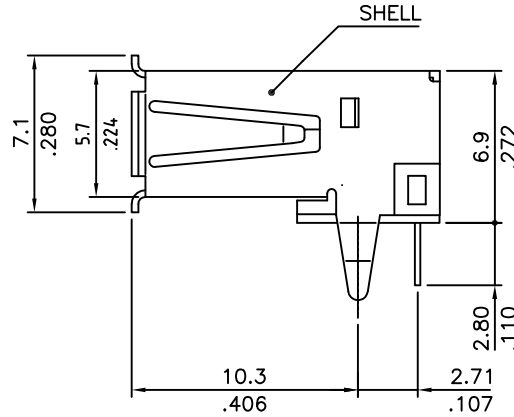
**Material**

- Insulator: Glass Filled Polyester
- Flammability: UL94V-0
- Contacts: Phosphor Bronze
- Contact Plating: See options
- Shell: Brass
- Shell Plating: 80 Ni over 40u" Cu

**Ratings**

- Current: 1A
- Voltage: 30V AC(r.m.s.)
- Contact Res: <30mΩ
- Insulation Res: >1,000 MΩ
- Operating Temp: 0° - +85°
- Storage Temp: -40° - +60°

RoHS Compliant



Recommended P.C. Board Layout

PART NUMBER:

**USB-A1HSXX**

COLOR:  
B: Black  
W: White

PLATING:  
6: Selective Au Flash/50u" Ni  
8: Selective 30u" Au/50u" Ni (USB 2.0)

THESE DRAWINGS AND SPECIFICATIONS ARE THE PROPERTY OF ON-SHORE TECHNOLOGY, INC. AND SHALL NOT BE REPRODUCED, COPIED OR USED IN ANY MANNER WITHOUT THE PRIOR WRITTEN CONSENT OF ON-SHORE TECHNOLOGY, INC.



TITLE		USB - A type, Horizontal, thru hole			
PART NO.	USB-A1HSXX	DWG NO.	USB-A1HSXX.DWG		
APPROVED	CHECKED	DESIGNED	DRAWN	4050	
	Marvin 2002.03.12	Marvin 2002.03.12	Marvin 2002.03.12	Tolerance	
				UNIT: mm/inches	X.* ±1°
				SCALE: NONE	X.X ±0.30/.012
				REV.: A	X.XX ±0.20/.008
				SHEET: 01/01	X.XXX ±0.10/.004