



Chipsmall Limited consists of a professional team with an average of over 10 year of expertise in the distribution of electronic components. Based in Hongkong, we have already established firm and mutual-benefit business relationships with customers from,Europe,America and south Asia,supplying obsolete and hard-to-find components to meet their specific needs.

With the principle of “Quality Parts,Customers Priority,Honest Operation,and Considerate Service”,our business mainly focus on the distribution of electronic components. Line cards we deal with include Microchip,ALPS,ROHM,Xilinx,Pulse,ON,Everlight and Freescale. Main products comprise IC,Modules,Potentiometer,IC Socket,Relay,Connector.Our parts cover such applications as commercial,industrial, and automotives areas.

We are looking forward to setting up business relationship with you and hope to provide you with the best service and solution. Let us make a better world for our industry!



Contact us

Tel: +86-755-8981 8866 Fax: +86-755-8427 6832

Email & Skype: info@chipsmall.com Web: www.chipsmall.com

Address: A1208, Overseas Decoration Building, #122 Zhenhua RD., Futian, Shenzhen, China



SIGN	DATE	DESCRIPTION	APPROVER

THIS IS CAD DRAWING, DO NOT REVISE MANUALLY!!!

Material

- Insulator: Glass Filled Polyester
- Flammability: UL94V-0
- Contacts: Phosphor Bronze
- Contact Plating: See options
- Shell: Brass
- Shell Plating: 80u" Min. Tin over 50u" Cu

Ratings

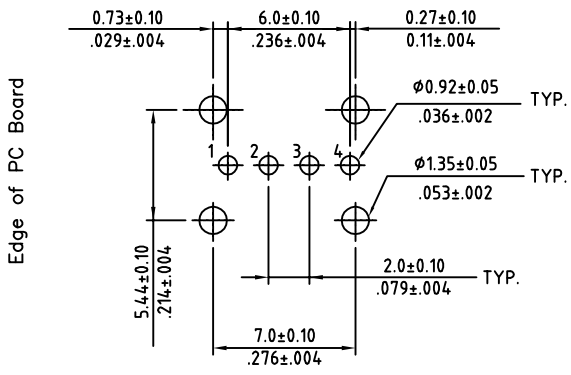
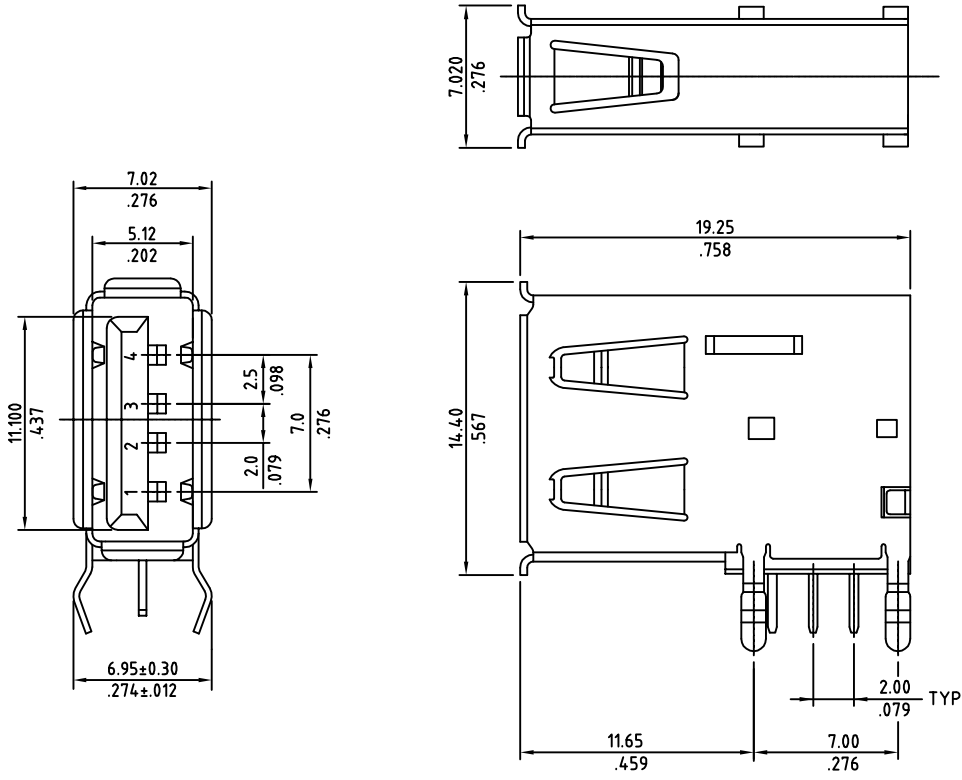
- Current: 1A
- Voltage: 30V AC(r.m.s.)
- Contact Resistance: <30mU
- Insulation Resistance: >1,000 MU
- Dielectric Strength: 750V AC
- Operating Temp: -55° - +85°
- Storage Temp: -40° - +70°

RoHS Compliant

PART NUMBER:

USB-A1SSXX

- COLOR: PLATING:
- B: Black 6: Selective Gold Flash (Std.)
 - W: White 8: Selective 30u" Gold



THESE DRAWINGS AND SPECIFICATIONS ARE THE PROPERTY OF ON-SHORE TECHNOLOGY, INC. AND SHALL NOT BE REPRODUCED, COPIED OR USED IN ANY MANNER WITHOUT THE PRIOR WRITTEN CONSENT OF ON-SHORE TECHNOLOGY, INC.



TITLE		USB - A type, Side type, thru hole		
PART NO.	USB-A1SSXX	DWG NO.	USB-A1SSXX.DWG	
APPROVED	CHECKED	DESIGNED	DRAWN	4050
	Marvin 2006.11.12	Marvin 2006.11.12	Marvin 2006.11.12	Tolerance
				X° ±1° X.X ±0.30/.012 X.XX ±0.20/.008 X.XXX ±0.10/.004
				UNIT: mm/inches SCALE: NONE
				SHEET: 01/01 REV.: A