



Chipsmall Limited consists of a professional team with an average of over 10 year of expertise in the distribution of electronic components. Based in Hongkong, we have already established firm and mutual-benefit business relationships with customers from,Europe,America and south Asia,supplying obsolete and hard-to-find components to meet their specific needs.

With the principle of “Quality Parts,Customers Priority,Honest Operation,and Considerate Service”,our business mainly focus on the distribution of electronic components. Line cards we deal with include Microchip,ALPS,ROHM,Xilinx,Pulse,ON,Everlight and Freescale. Main products comprise IC,Modules,Potentiometer,IC Socket,Relay,Connector.Our parts cover such applications as commercial,industrial, and automotives areas.

We are looking forward to setting up business relationship with you and hope to provide you with the best service and solution. Let us make a better world for our industry!



## Contact us

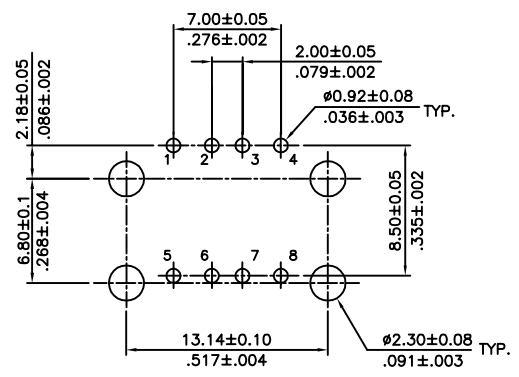
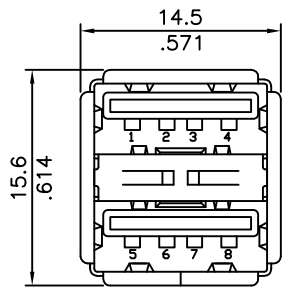
Tel: +86-755-8981 8866 Fax: +86-755-8427 6832

Email & Skype: info@chipsmall.com Web: www.chipsmall.com

Address: A1208, Overseas Decoration Building, #122 Zhenhua RD., Futian, Shenzhen, China



SIGN	DATE	DESCRIPTION	APPROVER
THIS IS CAD DRAWING, DO NOT REVISE MANUALLY!!!			



Recommended P.C. Board Layout

**Material**

- Insulator: Glass Filled Polyester
- Flammability: UL94V-0
- Contacts: Phosphor Bronze
- Contact Plating: See options
- Shell: Brass
- Shell Plating: 80u" Ni over 50u" Cu
- Rear Shell: Steel with Ni plating

**Ratings**

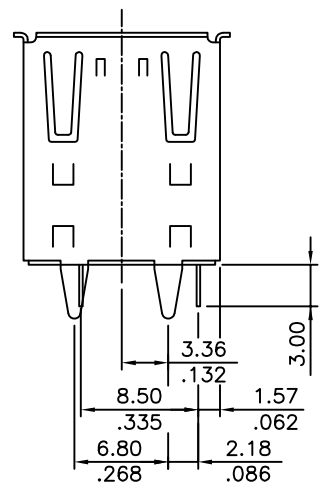
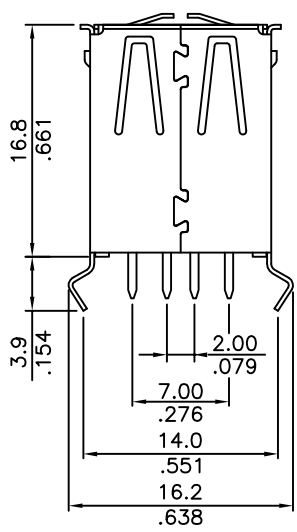
- Current: 1A
- Voltage: 30V AC(r.m.s.)
- Dielectric Withstanding Voltage: 750V AC at sea level
- Contact Resistance: <30mΩ
- Insulation Resistance: >1,000 MΩ
- Operating Temperature: -20° ~ +60°
- Storage Temperature: -0° ~ +50°

RoHS Compliant

PART NUMBER:

**USB-A2VSXX**

- COLOR:
- B: Black
  - W: White
- PLATING:
- 6: Selective Gold Flash (Std.)
  - 8: Selective 30u" Gold
  - 9: Selective 50u" Gold



TITLE		USB - A type, Vertical, thru hole, Dual Port				
PART NO.		USB-A2VSXX		DWG NO.	USB-A2VSXX.DWG	
APPROVED		CHECKED	DESIGNED	DRAWN	4050	
		Marvin 2002.03.12	Marvin 2002.03.12	Marvin 2002.03.12	Tolerance	
				⊕	UNIT: mm/inches	
				⊖	X.X ±1°	
				⊙	X.XX ±0.30/.012	
				⊙	X.XXX ±0.20/.008	
				⊙	X.XXX ±0.10/.004	
				⊙	SCALE: NONE	
				⊙	REV.: A	
				⊙	SHEET: 01/01	

THESE DRAWINGS AND SPECIFICATIONS ARE THE PROPERTY OF ON-SHORE TECHNOLOGY, INC. AND SHALL NOT BE REPRODUCED, COPIED OR USED IN ANY MANNER WITHOUT THE PRIOR WRITTEN CONSENT OF ON-SHORE TECHNOLOGY, INC.