



Chipsmall Limited consists of a professional team with an average of over 10 year of expertise in the distribution of electronic components. Based in Hongkong, we have already established firm and mutual-benefit business relationships with customers from,Europe,America and south Asia,supplying obsolete and hard-to-find components to meet their specific needs.

With the principle of “Quality Parts,Customers Priority,Honest Operation,and Considerate Service”,our business mainly focus on the distribution of electronic components. Line cards we deal with include Microchip,ALPS,ROHM,Xilinx,Pulse,ON,Everlight and Freescale. Main products comprise IC,Modules,Potentiometer,IC Socket,Relay,Connector.Our parts cover such applications as commercial,industrial, and automotives areas.

We are looking forward to setting up business relationship with you and hope to provide you with the best service and solution. Let us make a better world for our industry!



Contact us

Tel: +86-755-8981 8866 Fax: +86-755-8427 6832

Email & Skype: info@chipsmall.com Web: www.chipsmall.com

Address: A1208, Overseas Decoration Building, #122 Zhenhua RD., Futian, Shenzhen, China



REVISION T

DO NOT SCALE FROM THIS PRINT

- NOTES:
- Ⓢ REPRESENTS A CRITICAL DIMENSION.
 - VERIFY -S PLATING, VISUALLY CHECK -F ONLY.
 - ALL PARTS ARE ROHS COMPLIANT WITH OR WITHOUT -R.

USB-AM-S-X-X-TH-X

TYPE
-AM

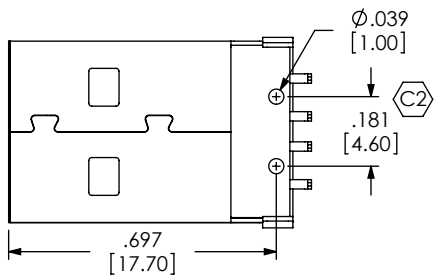
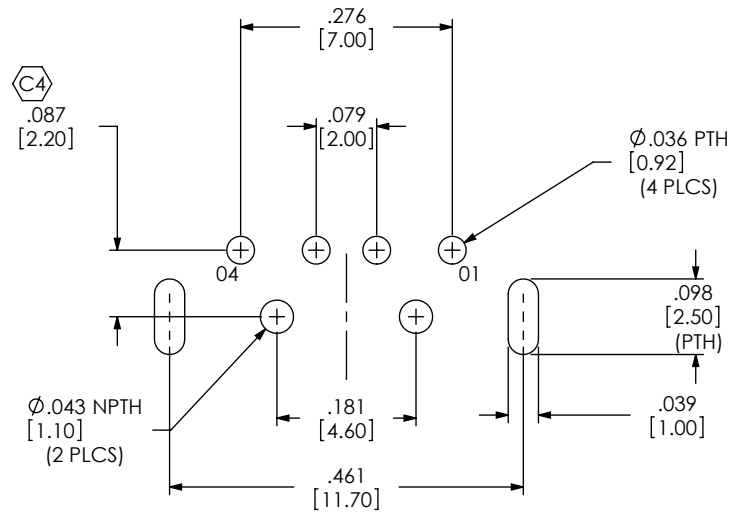
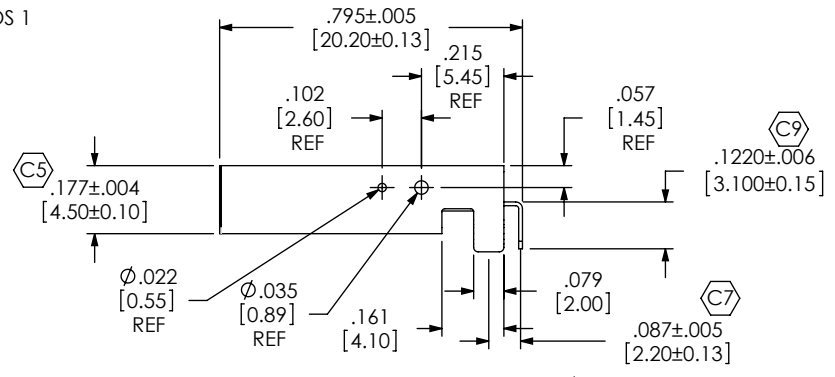
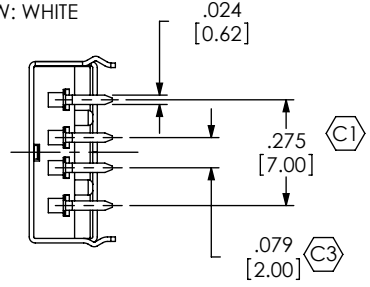
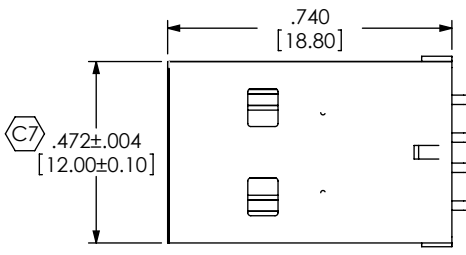
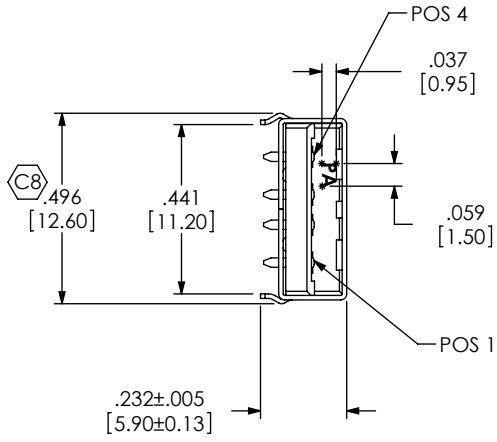
CONFIGURATION
-S: SINGLE

E/OPTION
-R: RoHS COMPLIANT - LEAD FREE

RA TERMINATION
-TH: THROUGH HOLE

COLOR
-B: BLACK
-W: WHITE

PLATING
-F: GOLD FLASH ON MATING AREA, BRIGHT ACID TIN ON TAILS (100U" MIN) W/ NICKEL UNDERPLATE (SEE NOTE 3 FOR -RC)
-S: .000030" GOLD ON MATING AREA, BRIGHT ACID TIN ON TAILS (100U" MIN) W/ NICKEL UNDERPLATE (SEE NOTE 3 FOR -RC)



RECOMMENDED PCB LAYOUT

UNLESS OTHERWISE SPECIFIED, DIMENSIONS ARE IN INCHES.

TOLERANCES ARE:

DECIMALS	ANGLES
.X: ±.01 [0.30]	2°
.XX: ±.008 [0.20]	
.XXX: ±.005 [0.13]	

PROPRIETARY NOTE

THIS DOCUMENT CONTAINS CONFIDENTIAL AND PROPRIETARY INFORMATION AND ALL DESIGN, MANUFACTURING, REPRODUCTION, USE, PATENT RIGHTS AND SALES RIGHTS ARE EXPRESSLY RESERVED BY SAMTEC, INC. THIS DOCUMENT SHALL NOT BE DISCLOSED, IN WHOLE OR PART, TO ANY UNAUTHORIZED PERSON OR ENTITY NOR REPRODUCED, TRANSFERRED OR INCORPORATED IN ANY OTHER PRODUCT IN ANY MANNER WITHOUT THE EXPRESS WRITTEN CONSENT OF SAMTEC, INC.



520 PARK EAST BLVD., NEW ALBANY, IN 47150
PHONE: 812-944-6733 FAX: 812-948-5047
e-Mail: info@SAMTEC.com code: 55322

MATERIAL: DO NOT SCALE DRAWING SHEET SCALE: 2:1

INSULATOR: PA 9T

CONTACT OR TERMINAL: PHOS BRONZE

BACK SHIELD: NICKEL PLATED PHOS BRONZE

FRONT SHIELD: TIN PLATED PHOS BRONZE

MAX FLASH ALLOWED: .051

MAX GATE VESTIGE: .051

PLDWG\MISC\MKTG\USB-AM-S-X-X-TH-X-MKT.3LDRAW

DESCRIPTION:
USB RIGHT ANGLE, 4 PIN, TYPE A, SINGLE-FOOT 1MM

DWG. NO. **USB-AM-S-X-X-TH-X**

BY: LENNY K 10/19/06 SHEET 1 OF 1