



Chipsmall Limited consists of a professional team with an average of over 10 year of expertise in the distribution of electronic components. Based in Hongkong, we have already established firm and mutual-benefit business relationships with customers from,Europe,America and south Asia,supplying obsolete and hard-to-find components to meet their specific needs.

With the principle of “Quality Parts,Customers Priority,Honest Operation,and Considerate Service”,our business mainly focus on the distribution of electronic components. Line cards we deal with include Microchip,ALPS,ROHM,Xilinx,Pulse,ON,Everlight and Freescale. Main products comprise IC,Modules,Potentiometer,IC Socket,Relay,Connector.Our parts cover such applications as commercial,industrial, and automotives areas.

We are looking forward to setting up business relationship with you and hope to provide you with the best service and solution. Let us make a better world for our industry!



Contact us

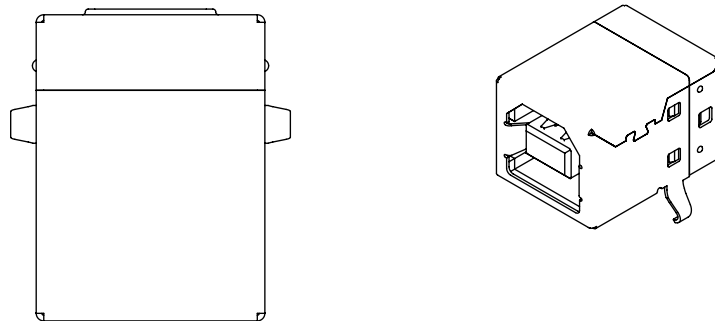
Tel: +86-755-8981 8866 Fax: +86-755-8427 6832

Email & Skype: info@chipsmall.com Web: www.chipsmall.com

Address: A1208, Overseas Decoration Building, #122 Zhenhua RD., Futian, Shenzhen, China

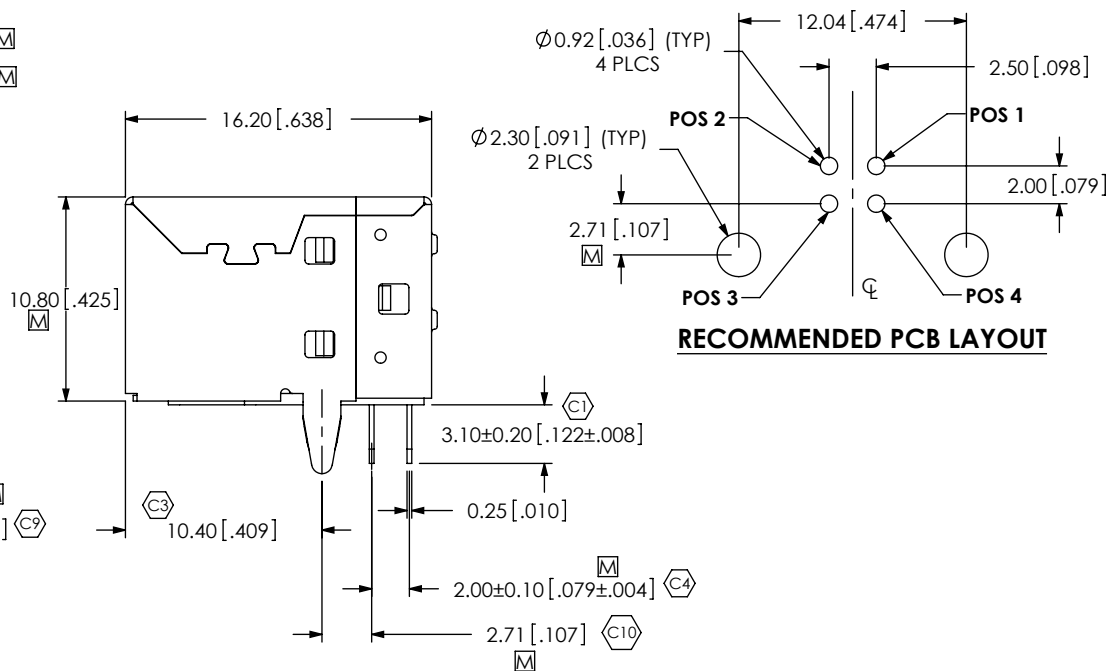
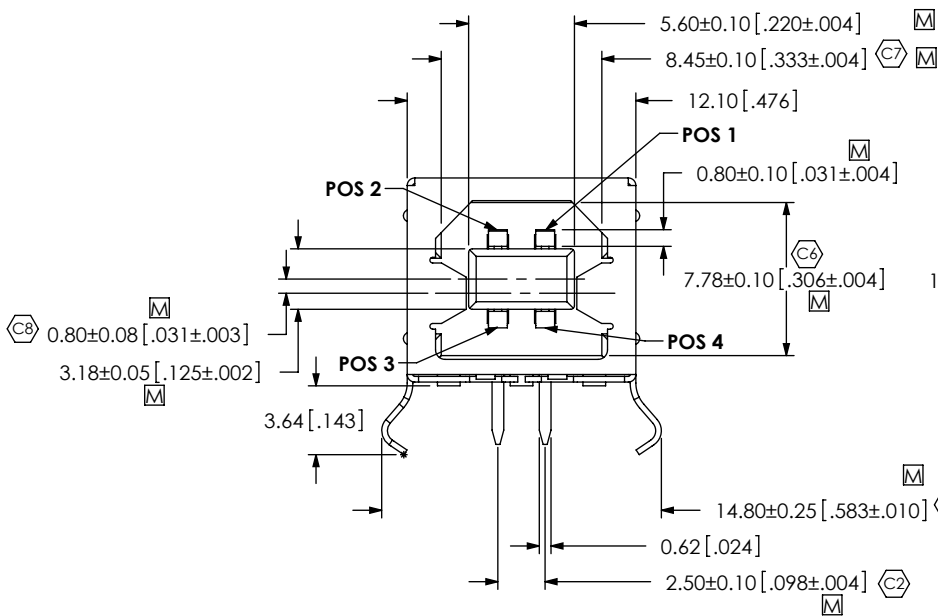


DO NOT SCALE FROM THIS PRINT



USB-B-S-X-X-TH-X-XX

- TYPE**
-B
- CONFIGURATION**
-S: SINGLE
- PLATING SPECIFICATION**
 -F: GOLD FLASH ON MATING AREA
 MATTE TIN ON TAILS (100U" MIN)
 WITH NICKEL UNDERPLATE
 (SEE NOTE 2 FOR -R OPTION)
 -S: SELECTIVE, .000030 GOLD ON MATING AREA
 MATTE TIN ON TAILS (100U" MIN)
 WITH NICKEL UNDERPLATE
 (SEE NOTE 2 FOR -R OPTION)
- OPTIONS**
 -TR: TAPE & REEL
 (LEAVE BLANK FOR TRAY PACKAGING)
 E&I OPTION
 -R: ROHS COMPLIANT
- TERMINATION**
-TH: THRU HOLE
- COLOR**
-B: BLACK
-W: WHITE



RECOMMENDED PCB LAYOUT

- NOTES:
- (C) REPRESENTS A CRITICAL DIMENSION.
 - ALL PARTS ARE ROHS COMPLIANT WITH OR WITHOUT -R.

UNLESS OTHERWISE SPECIFIED, DIMENSIONS ARE IN MM[IN].
 TOLERANCES ARE:
 DECIMALS ANGLES
 .X: ±.3 [.01] 2°
 .XX: ±.13 [.005]
 .XXX: ±.051 [.0020]

PROPRIETARY NOTE
 THIS DOCUMENT CONTAINS INFORMATION CONFIDENTIAL AND PROPRIETARY TO SAMTEC, INC. AND SHALL NOT BE REPRODUCED OR TRANSFERRED TO OTHER DOCUMENTS OR DISCLOSED TO OTHERS OR USED FOR ANY PURPOSE OTHER THAN THAT WHICH IT WAS OBTAINED WITHOUT THE EXPRESSED WRITTEN CONSENT OF SAMTEC, INC.

520 PARK EAST BLVD, NEW ALBANY, IN 47150
 PHONE: 812-944-6733 FAX: 812-948-5047
 e-Mail: info@SAMTEC.com code: 55322

DESCRIPTION: USB TYPE B RIGHT ANGLE THRU HOLE
 DWG. NO. USB-B-S-X-X-TH-X-XX
 BY: B.HARPENAU 2/06/06 SHEET 1 OF 1

MATERIAL: DO NOT SCALE DRAWING SHEET SCALE: 2:1
 INSULATOR: PBT
 CONTACT: PHOSPHOR BRONZE
 SHELL: STEEL; NICKEL PLATED

F:\DWG\MISC\MKTG\USB-B-S-X-X-TH-X-MKT.SLDDRW