



Chipsmall Limited consists of a professional team with an average of over 10 year of expertise in the distribution of electronic components. Based in Hongkong, we have already established firm and mutual-benefit business relationships with customers from,Europe,America and south Asia,supplying obsolete and hard-to-find components to meet their specific needs.

With the principle of “Quality Parts,Customers Priority,Honest Operation,and Considerate Service”,our business mainly focus on the distribution of electronic components. Line cards we deal with include Microchip,ALPS,ROHM,Xilinx,Pulse,ON,Everlight and Freescale. Main products comprise IC,Modules,Potentiometer,IC Socket,Relay,Connector.Our parts cover such applications as commercial,industrial, and automotives areas.

We are looking forward to setting up business relationship with you and hope to provide you with the best service and solution. Let us make a better world for our industry!



## Contact us

Tel: +86-755-8981 8866 Fax: +86-755-8427 6832

Email & Skype: info@chipsmall.com Web: www.chipsmall.com

Address: A1208, Overseas Decoration Building, #122 Zhenhua RD., Futian, Shenzhen, China



SIGN	DATE	DESCRIPTION	APPROVER
△	2012.10.03	USB 2.0 detail added	SHIN

THIS IS CAD DRAWING, DO NOT REVISE MANUALLY!!!

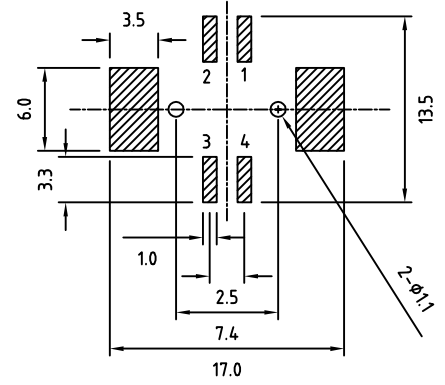
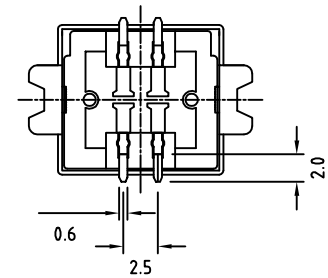
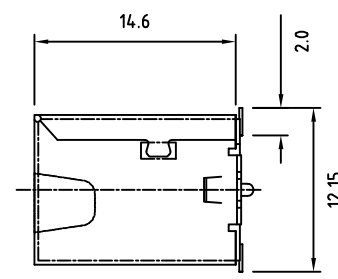
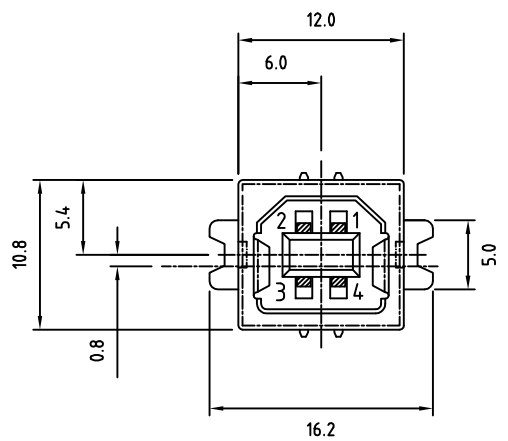
**Material**

- Housing: Nylon PA9T
- Flammability: UL94V-0
- Terminal: Phosphor Bronze
- Contact Plating: See options
- Shell: Brass
- Shell Plating: Nickel

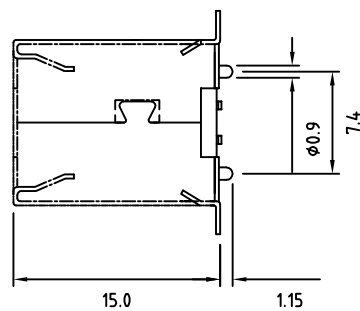
**Ratings**

- Current: 1.5A
- Voltage: 250V AC(r.m.s.)
- Dielectric Voltage: 750V AC
- Contact Resistance: <30mΩ
- Insulation Resistance: >1,000 MΩ
- Operating Temperature: -55° - +85°
- Storage Temperature: -0° - +40°

RoHS Compliant



(COMPONENT SIDE)  
PCB LAYOUT



PLATING:  
6: Selective Au Flash/50u" Ni  
8: Selective 30u" Au/50u" Ni (USB 2.0)

PART NUMBER:

**USB-B1SMV~~S~~XX**

COLOR:  
B: Black  
W: White



THESE DRAWINGS AND SPECIFICATIONS ARE THE PROPERTY OF ON-SHORE TECHNOLOGY, INC. AND SHALL NOT BE REPRODUCED, COPIED OR USED IN ANY MANNER WITHOUT THE PRIOR WRITTEN CONSENT OF ON-SHORE TECHNOLOGY, INC.

TITLE		USB - B type, Vertical, SMT			
PART NO.	USB-B1SMV <del>S</del> XX	DWG NO.	USB-B1SMV <del>S</del> XX.DWG		
APPROVED	CHECKED	DESIGNED	DRAWN	3471	
Steven 2007.03.30	Marvin 2007.03.30	Marvin 2007.03.30	Marvin 2007.03.30	Tolerance	
				UNIT: mm	
				SCALE: NONE	
				X.* ±1°	
				X.X ±0.38	
				X.XX ±0.25	
				X.XXX ±0.13	
SHEET: 01/01				REV.: A	