



Chipsmall Limited consists of a professional team with an average of over 10 year of expertise in the distribution of electronic components. Based in Hongkong, we have already established firm and mutual-benefit business relationships with customers from,Europe,America and south Asia,supplying obsolete and hard-to-find components to meet their specific needs.

With the principle of "Quality Parts,Customers Priority,Honest Operation,and Considerate Service",our business mainly focus on the distribution of electronic components. Line cards we deal with include Microchip,ALPS,ROHM,Xilinx,Pulse,ON,Everlight and Freescale. Main products comprise IC,Modules,Potentiometer,IC Socket,Relay,Connector.Our parts cover such applications as commercial,industrial, and automotives areas.

We are looking forward to setting up business relationship with you and hope to provide you with the best service and solution. Let us make a better world for our industry!



## Contact us

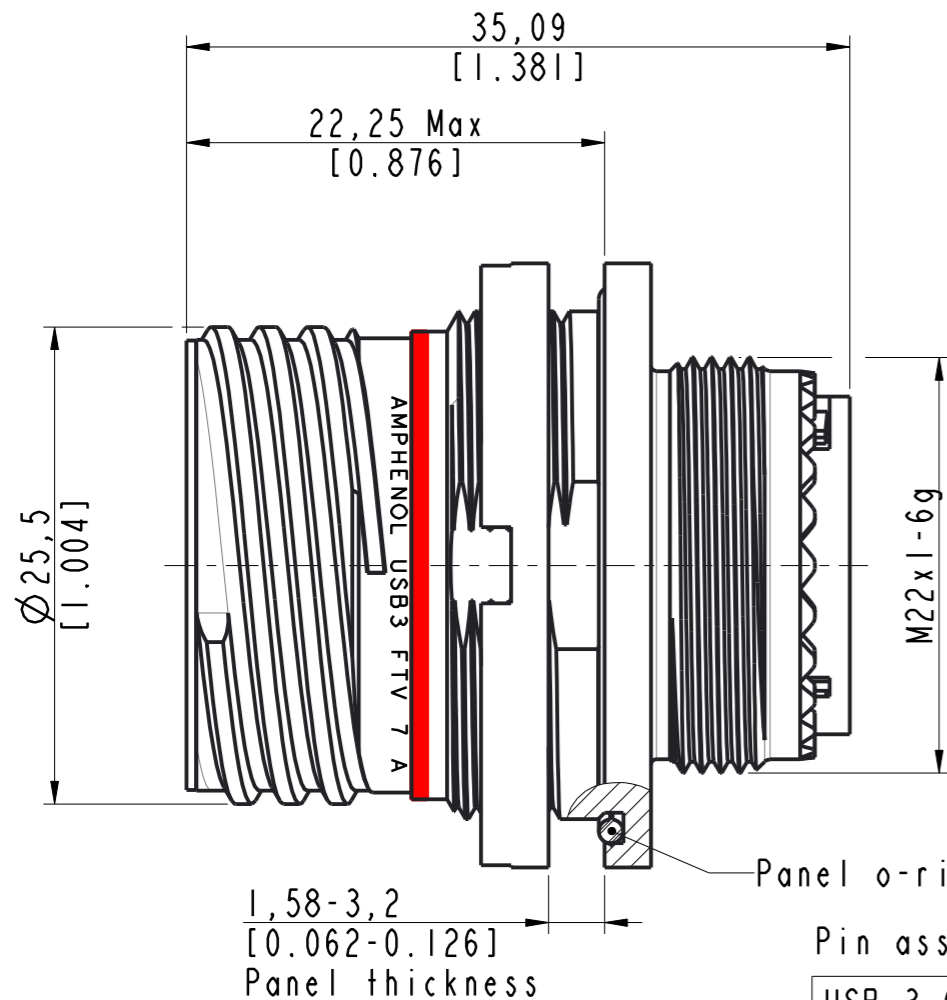
Tel: +86-755-8981 8866 Fax: +86-755-8427 6832

Email & Skype: info@chipsmall.com Web: www.chipsmall.com

Address: A1208, Overseas Decoration Building, #122 Zhenhua RD., Futian, Shenzhen, China

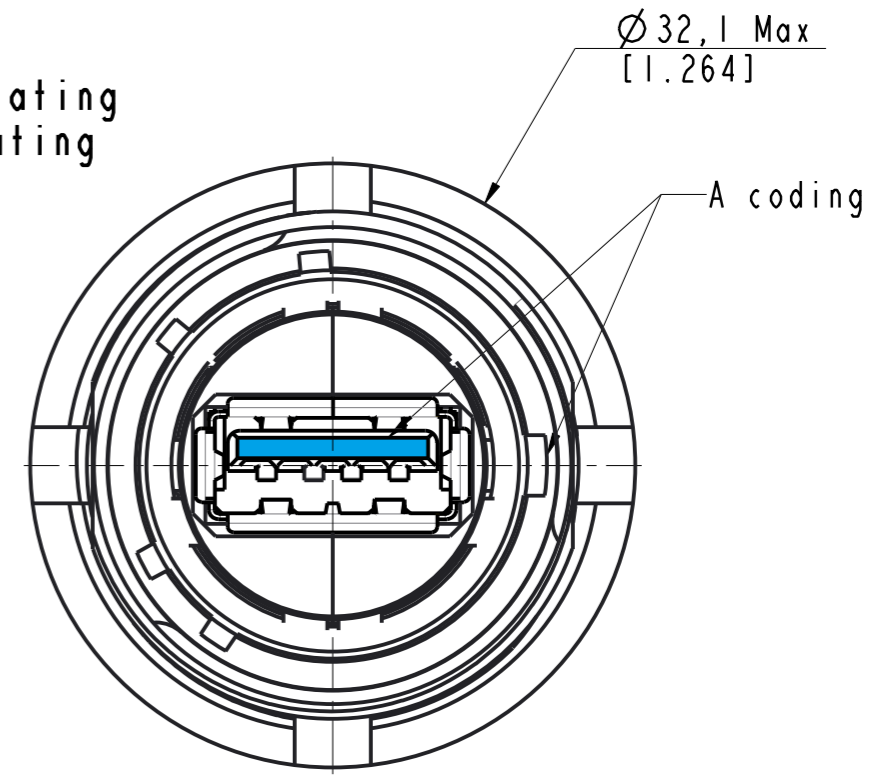


DANS LE BUT CONSTANT D'AMELIORER SES PRODUITS, Amphenol Socapex SE RESERVE LE DROIT D'EN MODIFIER TOUTE COTE OU CARACTERISTIQUE. IMP 036 A



Possible references:  
 USB3 FTV 7 A N F312 Nickel plating  
 USB3 FTV 7 A G F312 Olive drab cadmium plating  
 USB3 FTV 7 A ZN F312 Black zinc nickel plating

- ⚠ For PC to peripheral application use a "CROS" USB3 crossed cord set
- ⚠ For PC to PC application use a "STR" USB3 straight cord set



Panel o-ring is delivered with the receptacle

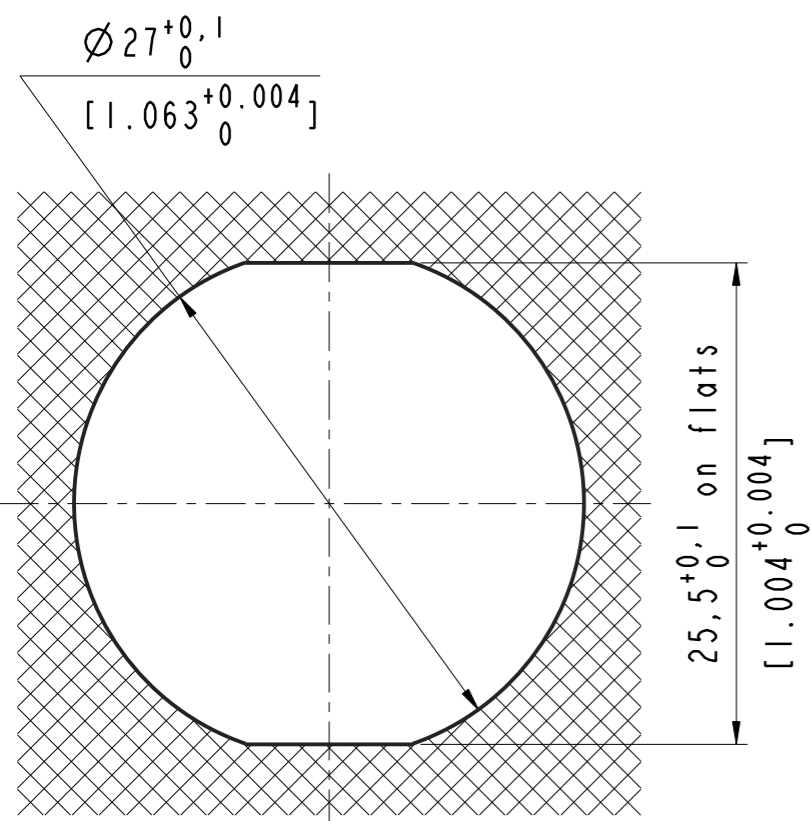
1,58-3,2  
[0.062-0.126]  
Panel thickness

Pin assignments:

USB 3.0 Standard A front coupling side connector to USB 3.0 Standard A back side connector

Pin number	Signal name	Description	Sequence	Pin number	Signal name
1	VBUS	Power	Second	1	VBUS
2	D-	USB 2.0 differential pair	Third	2	D-
3	D+			3	D+
4	GND	Ground for power return	Second	4	GND
5	StdA_SSRX-	Superspeed receiver differential pair	Last	8	StdB_SSTX-
6	StdA_SSRX+			9	StdB_SSTX+
7	GND_DRAIN	Ground for signal return	Last	7	GND_DRAIN
8	StdA_SSTX-	Superspeed transmitter differential pair	Last	5	StdB_SSRX-
9	StdA_SSTX+			6	StdB_SSRX+
Shell	Shield	Connector metal shell	First	Shell	Shield

← Always crossed ←



Panel drilling

USB3 FTV 7 A X F312

Reduced Flange

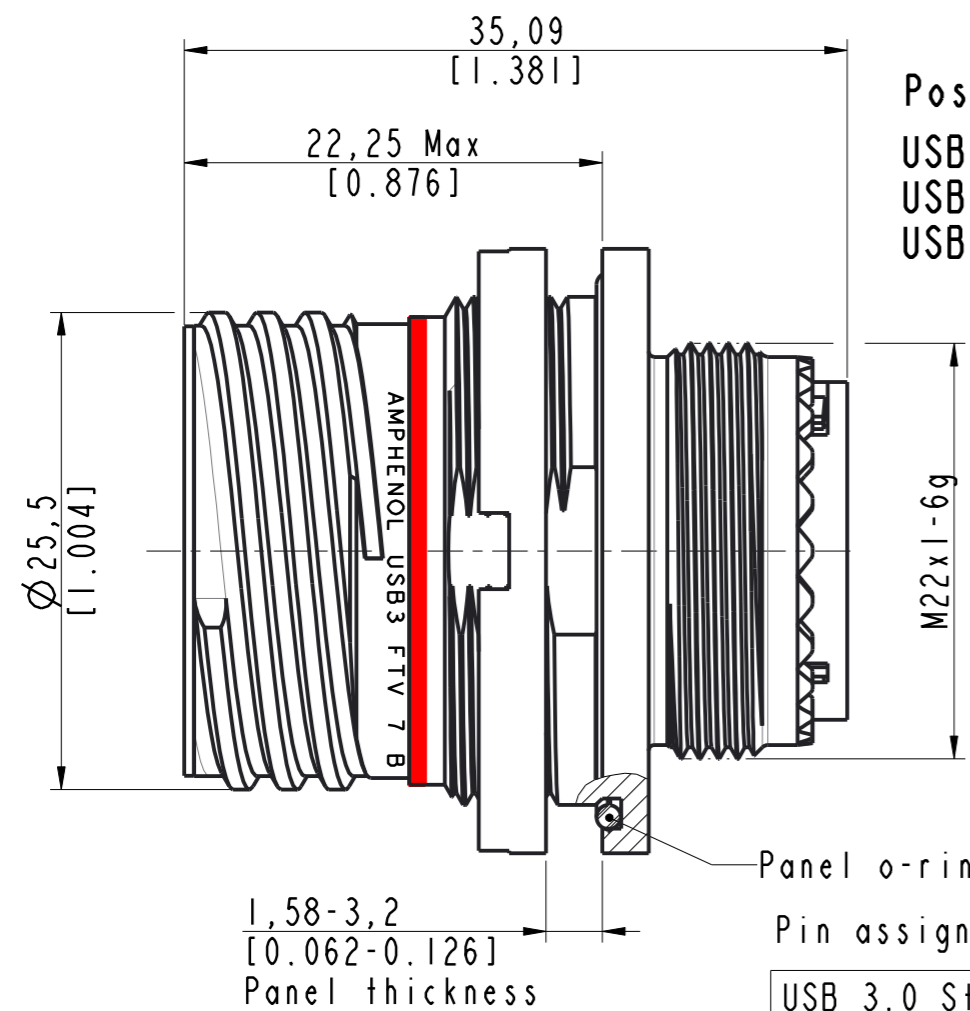
USB3.0 Standard A Receptacle

Customer Approval \_\_\_\_\_

MODIFICATIONS	A	Plan original	ECHELLE	Amphenol Socapex BP 29 - 74311 THYEZ CEDEX	DESSIN: M.Peters	LE: 11/01/17
			2,5		TECHNIQUE: L.Guyomar	LE: 11/01/17
					A	
					191-PLC-742-00 1/2	

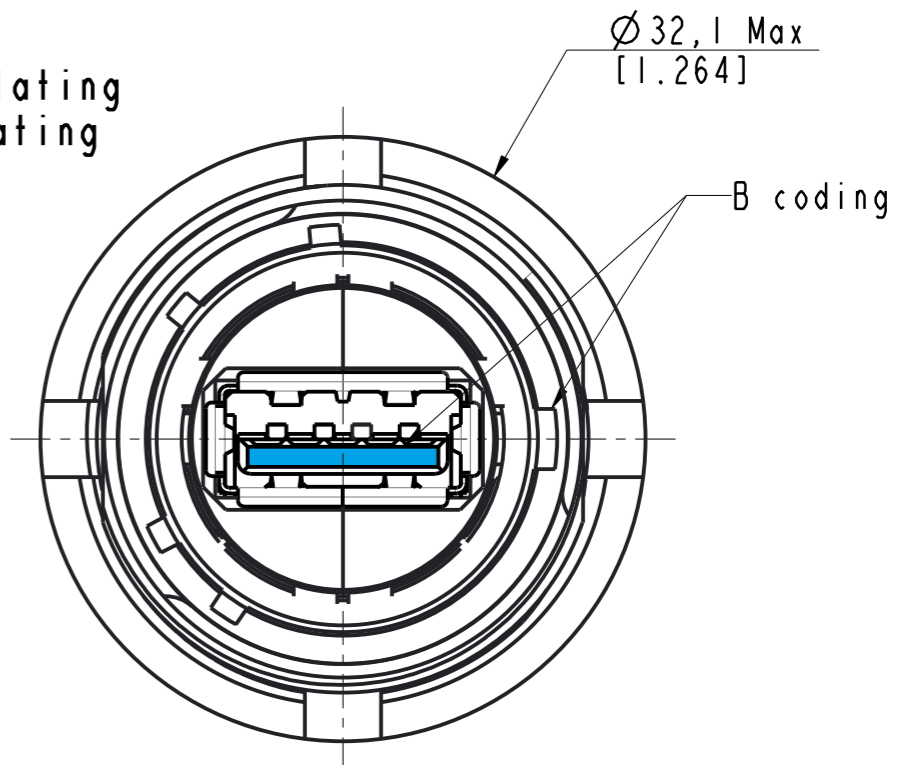


DANS LE BUT CONSTANT D'AMELIORER SES PRODUITS, Amphenol Socapex SE RESERVE LE DROIT D'EN MODIFIER TOUTE COTE OU CARACTERISTIQUE. IMP 036 A



Possible references:  
 USB3 FTV 7 B N F312 Nickel plating  
 USB3 FTV 7 B G F312 Olive drab cadmium plating  
 USB3 FTV 7 B ZN F312 Black zinc nickel plating

- ⚠ For PC to peripheral application use a "CROS" USB3 crossed cord set
- ⚠ For PC to PC application use a "STR" USB3 straight cord set



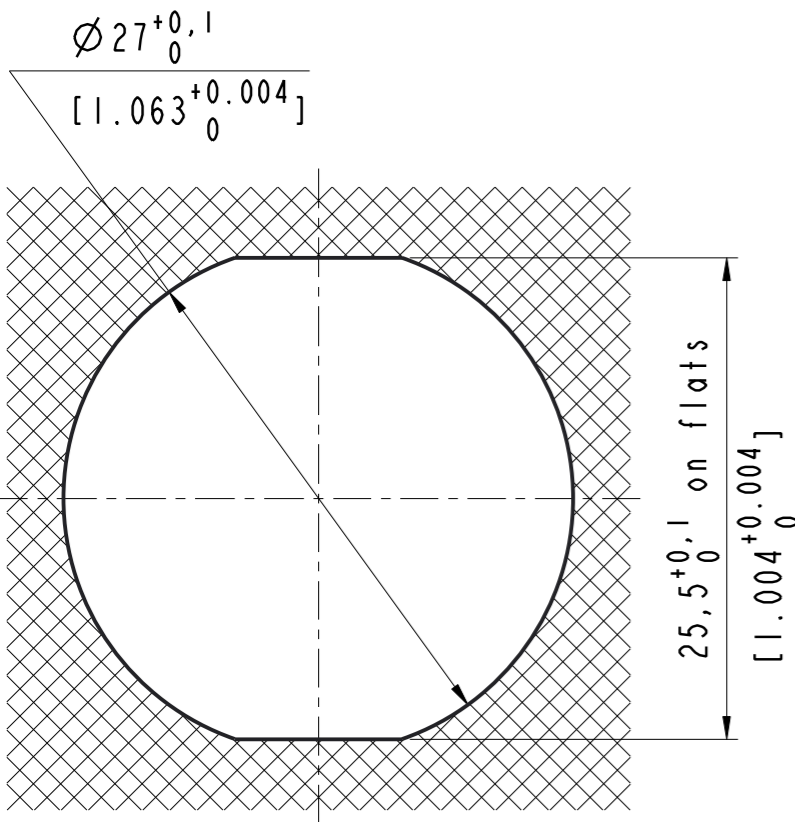
Panel o-ring is delivered with the receptacle

Pin assignments:

USB 3.0 Standard A front coupling side connector to USB 3.0 Standard A back side connector

Pin number	Signal name	Description	Sequence	Pin number	Signal name
1	VBUS	Power	Second	1	VBUS
2	D-	USB 2.0 differential pair	Third	2	D-
3	D+			3	D+
4	GND	Ground for power return	Second	4	GND
5	StdA_SSRX-	Superspeed receiver differential pair	Last	8	StdB_SSTX-
6	StdA_SSRX+			9	StdB_SSTX+
7	GND_DRAIN	Ground for signal return	Last	7	GND_DRAIN
8	StdA_SSTX-	Superspeed transmitter differential pair	Last	5	StdB_SSRX-
9	StdA_SSTX+			6	StdB_SSRX+
Shell	Shield	Connector metal shell	First	Shell	Shield

← Always crossed ←



Panel drilling

USB3 FTV 7 B X F312 Reduced Flange

USB3.0 Standard A Receptacle

Customer Approval \_\_\_\_\_

MODIFICATIONS	A	Plan original	ECHELLE	Amphenol Socapex BP 29 - 74311 THYEZ CEDEX	DESSIN: M.Peters	LE: 11/01/17
			2,5		TECHNIQUE: L.Guyomar	LE: 11/01/17
					A	
					191-PLC-742-00 2/2	