



Chipsmall Limited consists of a professional team with an average of over 10 year of expertise in the distribution of electronic components. Based in Hongkong, we have already established firm and mutual-benefit business relationships with customers from,Europe,America and south Asia,supplying obsolete and hard-to-find components to meet their specific needs.

With the principle of “Quality Parts,Customers Priority,Honest Operation,and Considerate Service”,our business mainly focus on the distribution of electronic components. Line cards we deal with include Microchip,ALPS,ROHM,Xilinx,Pulse,ON,Everlight and Freescale. Main products comprise IC,Modules,Potentiometer,IC Socket,Relay,Connector.Our parts cover such applications as commercial,industrial, and automotives areas.

We are looking forward to setting up business relationship with you and hope to provide you with the best service and solution. Let us make a better world for our industry!



Contact us

Tel: +86-755-8981 8866 Fax: +86-755-8427 6832

Email & Skype: info@chipsmall.com Web: www.chipsmall.com

Address: A1208, Overseas Decoration Building, #122 Zhenhua RD., Futian, Shenzhen, China

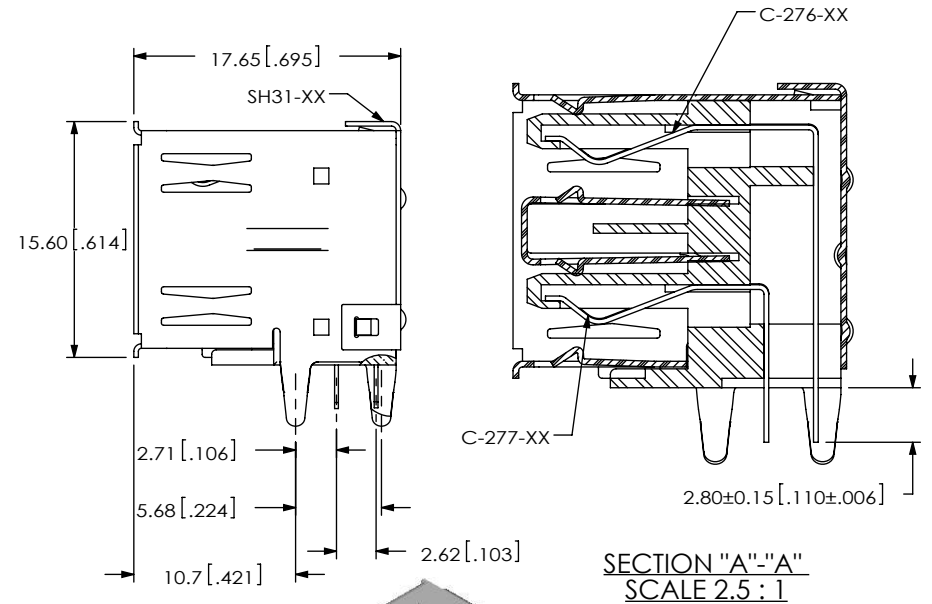
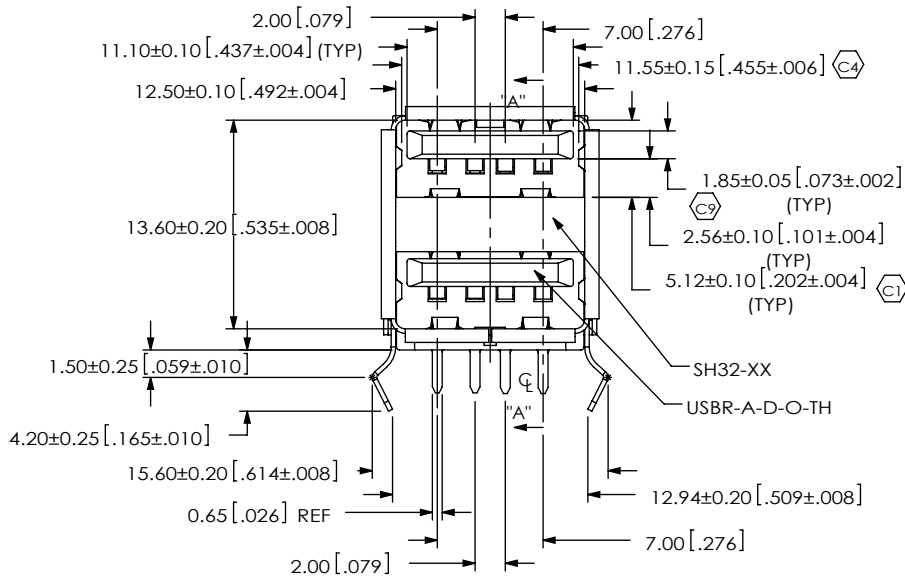
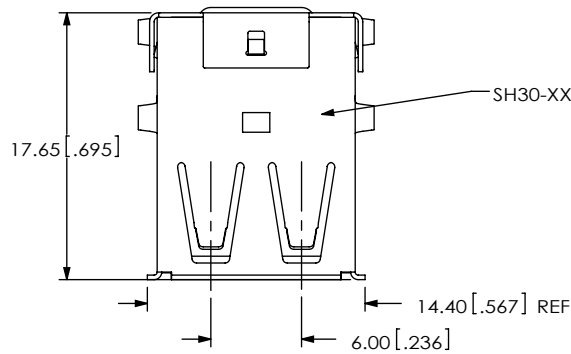


NOTES:
 1. $\text{\textcircled{C}}$ REPRESENTS A CRITICAL DIMENSION.
 2. PACKAGING IN TRAY.

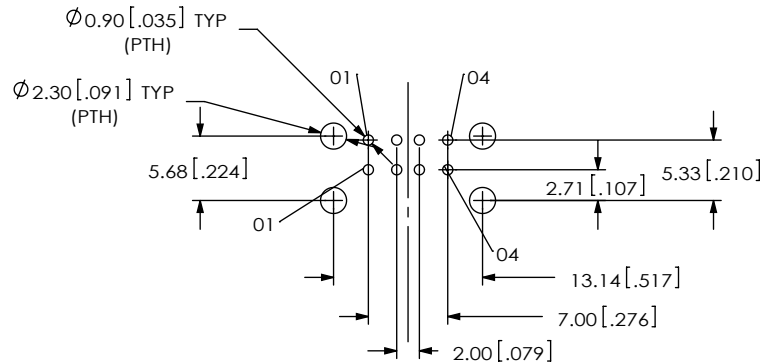
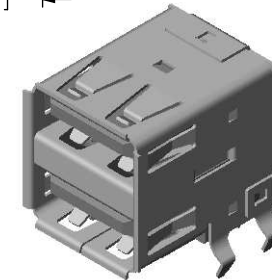
**DESIGNED & DIMENSIONED
 IN MILLIMETERS [INCHES]**

USBR-A-D-X-O-TH

TYPE ————
 -A
 ROW SPECIFICATION ————
 -D: DOUBLE ROW
 PLATING SPECIFICATION ————
 -F: 1 μ " FLASH GOLD ON CONTACT AREA,
 MATTE TIN ON TAIL
 -S: 30 μ " SELECTIVE GOLD ON CONTACT AREA,
 MATTE TIN ON TAIL
 OPTION ————
 -TH: THROUGH HOLE
 COLOR ————
 -O: ORANGE



**SECTION "A"-A"
 SCALE 2.5 : 1**



RECOMMENDED PCB LAYOUT

UNLESS OTHERWISE SPECIFIED,
 DIMENSIONS ARE IN
 MILLIMETERS [INCHES].
 TOLERANCES ARE:
 DECIMALS ANGLES
 X.X: ±0.25 [.01]
 X.XX: ±0.13 [.005]
 X.XXX: ±0.05 [.002]

PROPRIETARY NOTE
 THIS DOCUMENT CONTAINS CONFIDENTIAL AND
 PROPRIETARY INFORMATION AND ALL DESIGN,
 MANUFACTURING, REPRODUCTION, USE, PATENT RIGHTS
 AND SALES RIGHTS ARE EXPRESSLY RESERVED BY SAMTEC,
 INC. THIS DOCUMENT SHALL NOT BE DISCLOSED, IN WHOLE
 OR PART, TO ANY UNAUTHORIZED PERSON OR ENTITY NOR
 REPRODUCED, TRANSFERRED OR INCORPORATED IN ANY
 OTHER PROJECT IN ANY MANNER WITHOUT THE EXPRESS
 WRITTEN CONSENT OF SAMTEC, INC.



520 PARK EAST BLVD, NEW ALBANY, IN 47150
 PHONE: 812-944-6733 FAX: 812-948-5047
 e-Mail: info@SAMTEC.com code: 55322

MATERIAL: DO NOT SCALE DRAWING SHEET SCALE: 2:1
 INSULATOR: PA9T, COLOR: ORANGE
 CONTACT: COPPER ALLOY
 SHELL: COPPER ALLOY

DESCRIPTION:
 HIGH RETENTION USB TYPE A DOUBLE ROW
 DWG. NO.

USBR-A-D-X-O-TH

BY: TOM TANG 12/30/2008 SHEET 1 OF 1