



Chipsmall Limited consists of a professional team with an average of over 10 year of expertise in the distribution of electronic components. Based in Hongkong, we have already established firm and mutual-benefit business relationships with customers from,Europe,America and south Asia,supplying obsolete and hard-to-find components to meet their specific needs.

With the principle of “Quality Parts,Customers Priority,Honest Operation,and Considerate Service”,our business mainly focus on the distribution of electronic components. Line cards we deal with include Microchip,ALPS,ROHM,Xilinx,Pulse,ON,Everlight and Freescale. Main products comprise IC,Modules,Potentiometer,IC Socket,Relay,Connector.Our parts cover such applications as commercial,industrial, and automotives areas.

We are looking forward to setting up business relationship with you and hope to provide you with the best service and solution. Let us make a better world for our industry!



Contact us

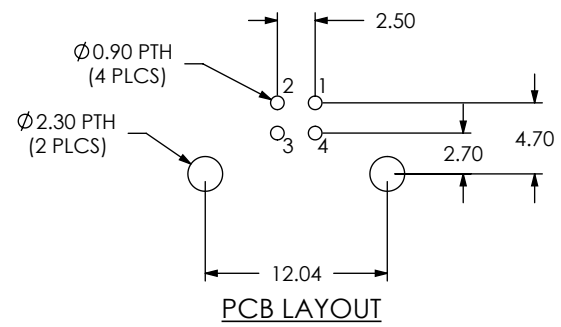
Tel: +86-755-8981 8866 Fax: +86-755-8427 6832

Email & Skype: info@chipsmall.com Web: www.chipsmall.com

Address: A1208, Overseas Decoration Building, #122 Zhenhua RD., Futian, Shenzhen, China



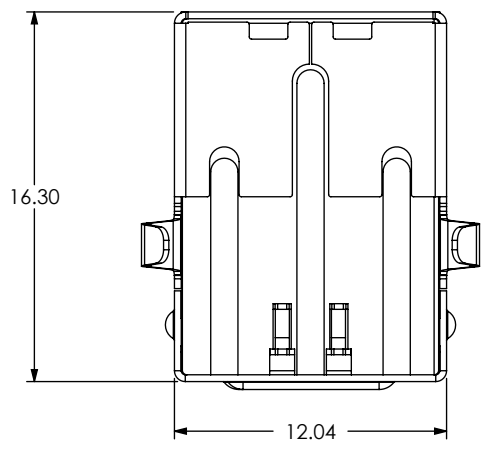
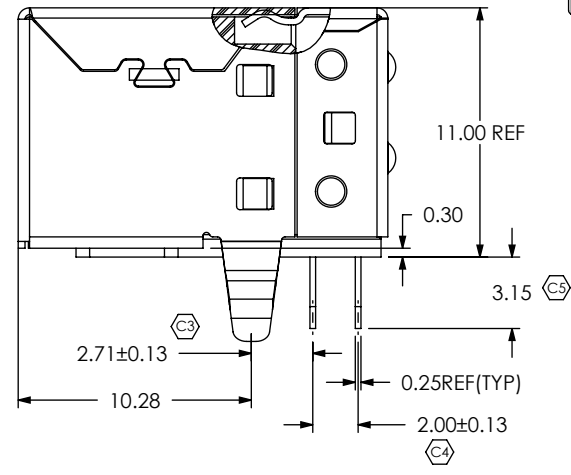
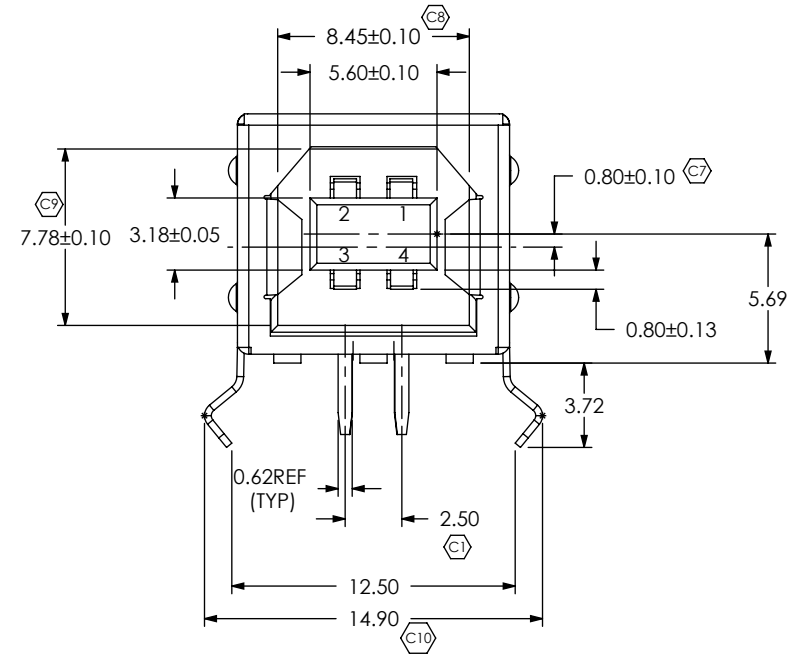
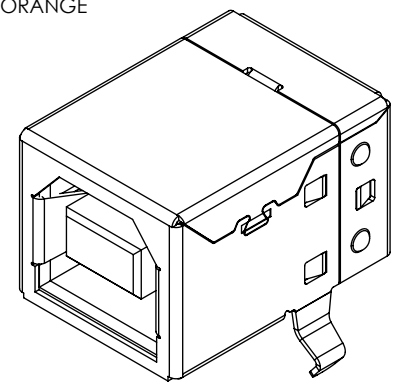
DO NOT SCALE FROM THIS PRINT



DESIGNED & DIMENSIONED IN MILLIMETERS

USB-R-B-S-X-O-TH-X

- TYPE B
- CONFIGURATION -S: SINGLE
- PLATING SPECIFICATION (C3) -F: 1μ" MIN GOLD IN CONTACT AREA, MATTE TIN ON TAIL -S: 30 μ" GOLD IN CONTACT AREA, MATTE TIN ON TAIL
- E&I OPTION -R: ROHS COMPLIANT (-R CALLOUT ONLY AVAILABLE TO EXISTING CUSTOMERS) (SEE NOTE 4)
- TERMINATION -TH: THROUGH HOLE
- COLOR -O: ORANGE



NOTES:

1. INCREASED RETENTION ,ORANGE INSULATOR COLOR.
2. (C) REPRESENTS A CRITICAL DIMENSION.
3. WHEN MATED CONNECTION MUST WITHSTAND 15N DEMATING FORCE FOR 1 MINUTE MINIMUM.
4. PARTS ARE ROHS COMPLIANT WITH OR WITHOUT -R OPTION

UNLESS OTHERWISE SPECIFIED, DIMENSIONS ARE IN MILLIMETERS. TOLERANCES ARE:
 DECIMALS ANGLES
 X.X: ±0.3 2°
 X.XX: ±0.25
 X.XXX: ±0.13

PROPRIETARY NOTE
 THIS DOCUMENT CONTAINS CONFIDENTIAL AND PROPRIETARY INFORMATION AND ALL DESIGN, MANUFACTURING, REPRODUCTION, USE, PATENT RIGHTS AND SALES RIGHTS ARE EXPRESSLY RESERVED BY SAMTEC, INC. THIS DOCUMENT SHALL NOT BE DISCLOSED, IN WHOLE OR PART, TO ANY UNAUTHORIZED PERSON OR ENTITY NOR REPRODUCED, TRANSFERRED OR INCORPORATED IN ANY OTHER PROJECT IN ANY MANNER WITHOUT THE EXPRESS WRITTEN CONSENT OF SAMTEC, INC.



520 PARK EAST BLVD, NEW ALBANY, IN 47150
 PHONE: 812-944-6733 FAX: 812-948-5047
 e-Mail: info@SAMTEC.com code: 55322

MATERIAL: DO NOT SCALE DRAWING SHEET SCALE: 2:1
 INSULATOR: PA 9T COLOR:ORANGE
 CONTACT : PHOS BRONZE
 REAR SHIELD: NICKEL PLATED STEEL
 FRONT SHIELD: NICKEL PLATED PHOS BRONZE
 MAX FLASH ALLOWED: 0.05
 MAX GATE VESTIGE: 0.05
 F:\D\WG\MISC\MKT\USB-R-B-S-X-O-TH-X-MKT.SLDDRW

DESCRIPTION: HIGH RETENTION USB TYPE B THROUGH HOLE
 DWG. NO. USBR-B-S-X-O-TH-X
 BY: STEVEN XU 10-20-2010 SHEET 1 OF 1