



Chipsmall Limited consists of a professional team with an average of over 10 year of expertise in the distribution of electronic components. Based in Hongkong, we have already established firm and mutual-benefit business relationships with customers from,Europe,America and south Asia,supplying obsolete and hard-to-find components to meet their specific needs.

With the principle of “Quality Parts,Customers Priority,Honest Operation,and Considerate Service”,our business mainly focus on the distribution of electronic components. Line cards we deal with include Microchip,ALPS,ROHM,Xilinx,Pulse,ON,Everlight and Freescale. Main products comprise IC,Modules,Potentiometer,IC Socket,Relay,Connector.Our parts cover such applications as commercial,industrial, and automotives areas.

We are looking forward to setting up business relationship with you and hope to provide you with the best service and solution. Let us make a better world for our industry!



## Contact us

Tel: +86-755-8981 8866 Fax: +86-755-8427 6832

Email & Skype: info@chipsmall.com Web: www.chipsmall.com

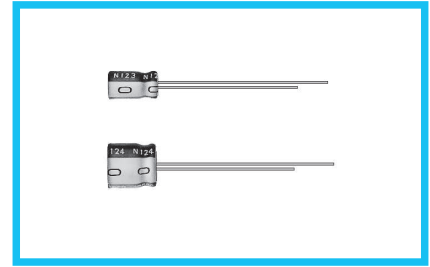
Address: A1208, Overseas Decoration Building, #122 Zhenhua RD., Futian, Shenzhen, China



## USF 7mmL, Low Impedance



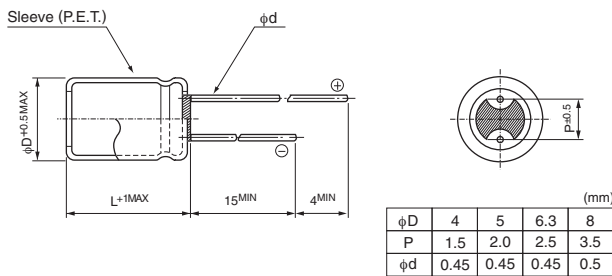
- Low impedance over wide temperature range of -55 to +105°C, with 7mm height.
- Compliant to the RoHS directive (2011/65/EU).



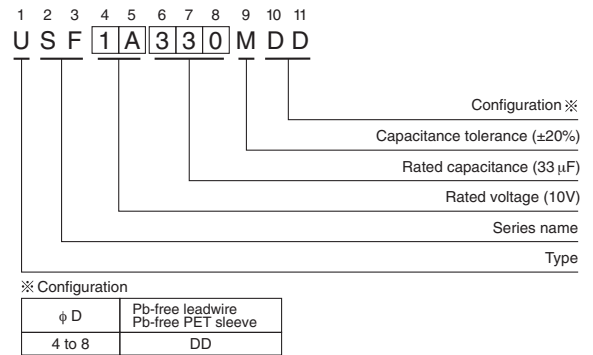
### Specifications

Item	Performance Characteristics					
Category Temperature Range	-55 to +105°C					
Rated Voltage Range	6.3 to 35V					
Rated Capacitance Range	6.8 to 220μF					
Capacitance Tolerance	±20% at 120Hz, 20°C					
Leakage Current	After 2 minutes' application of rated voltage at 20°C, leakage current is not more than 0.01CV or 3(μA), whichever is greater.					
Tangent of loss angle (tan δ)	Measurement frequency : 120Hz, Temperature : 20°C					
	Rated voltage (V)	6.3	10	16	25	35
Stability at Low Temperature	tan δ (MAX.)	0.18	0.16	0.14	0.12	0.12
	Measurement frequency : 120Hz					
	Rated voltage (V)	6.3	10	16	25	35
Endurance	Impedance ratio	Z-25°C / Z+20°C	2	2	2	2
	ZT / Z20 (MAX.)	Z-55°C / Z+20°C	3	3	3	3
Shelf Life	Capacitance change	Within ±20% of the initial capacitance value				
	tan δ	200% or less than the initial specified value				
	Leakage current	Less than or equal to the initial specified value				
Marking	Printed with white color letter on dark brown sleeve.					

### Radial Lead Type



### Type numbering system (Example : 10V 33μF)



### Dimensions

Cap. (μF)	Code	6.3			10			16			25			35		
		0J			1A			1C			1E			1V		
6.8	6R8													4 × 7	3.3	70
10	100													5 × 7	1.7	110
15	150							4 × 7	3.3	70	4 × 7	3.3	70	6.3 × 7	0.8	160
22	220				4 × 7	3.3	70	5 × 7	1.7	110	5 × 7	1.7	110	6.3 × 7	0.8	160
33	330	5 × 7	1.7	110	5 × 7	1.7	110	6.3 × 7	0.8	160	6.3 × 7	0.8	160	8 × 7	0.5	200
47	470	5 × 7	1.7	110	6.3 × 7	0.8	160	6.3 × 7	0.8	160	8 × 7	0.5	200			
68	680	6.3 × 7	0.8	160	6.3 × 7	0.8	160	8 × 7	0.5	200	8 × 7	0.5	200			
100	101	6.3 × 7	0.8	160	8 × 7	0.5	200	8 × 7	0.5	200						
150	151	8 × 7	0.5	200	8 × 7	0.5	200									
220	221	8 × 7	0.5	200												
														Case size φD × L (mm)	Impe- dance	Rated ripple

Max. Impedance (Ω) at 20°C 100kHz  
Rated ripple current (mArms) at 105°C 100kHz

### Frequency coefficient of rated ripple current

Frequency	50 Hz	120 Hz	300 Hz	1 kHz	10 kHz or more
Coefficient	0.35	0.50	0.64	0.83	1.00

Please refer to page 20, 21, 22 about the formed or taped product spec.  
Please refer to page 4 for the minimum order quantity.