



Chipsmall Limited consists of a professional team with an average of over 10 year of expertise in the distribution of electronic components. Based in Hongkong, we have already established firm and mutual-benefit business relationships with customers from,Europe,America and south Asia,supplying obsolete and hard-to-find components to meet their specific needs.

With the principle of “Quality Parts,Customers Priority,Honest Operation,and Considerate Service”,our business mainly focus on the distribution of electronic components. Line cards we deal with include Microchip,ALPS,ROHM,Xilinx,Pulse,ON,Everlight and Freescale. Main products comprise IC,Modules,Potentiometer,IC Socket,Relay,Connector.Our parts cover such applications as commercial,industrial, and automotives areas.

We are looking forward to setting up business relationship with you and hope to provide you with the best service and solution. Let us make a better world for our industry!



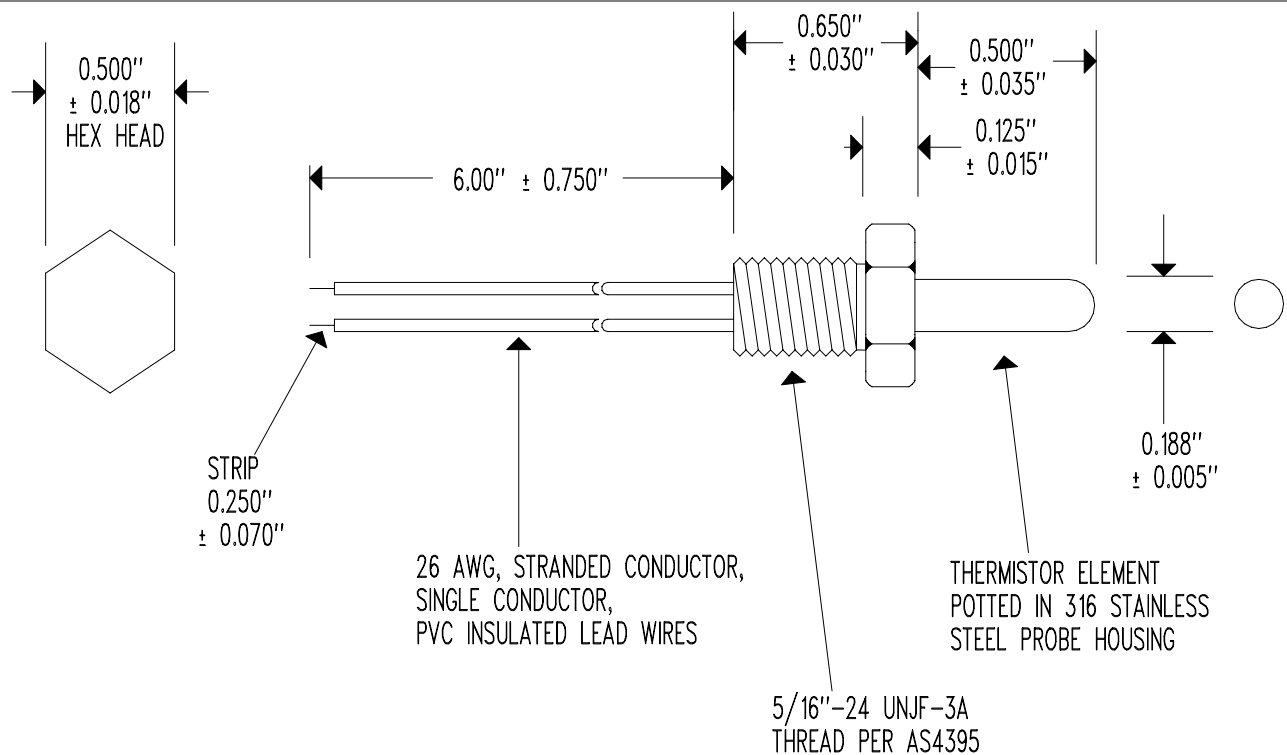
## Contact us

Tel: +86-755-8981 8866 Fax: +86-755-8427 6832

Email & Skype: info@chipsmall.com Web: www.chipsmall.com

Address: A1208, Overseas Decoration Building, #122 Zhenhua RD., Futian, Shenzhen, China





RESISTANCE @ +25°C = 10,000 Ω NOMINAL  
 ACCURACY (0 TO +60°C) = ± 1.0°C  
 RESISTANCE/TEMPERATURE CURVE = "E1"  
 BETA "β" (+25 TO +85°C) = 3,435°K NOMINAL  
 MAXIMUM TEMPERATURE RATING = +105°C

SEE MANUFACTURING SPECIFICATION (LAYER 1)

"B"	ADDED TEMPERATURE ACCURACY SPECIFICATION (WAS ±1% @ +25°C ONLY)	12/13/11	DD
"A"	WIRE WAS 24 AWG AND THREAD WAS 5/16"-24 (RHT) STRAIGHT THREAD	12/09/11	DD
NONE	RELEASE TO PRODUCTION	12/08/11	DD
REV	REVISION RECORD	DATE	APP

SCALE	NONE	© COPYRIGHT U.S. SENSOR CORP. 714-639-1000 www.ussensor.com
DRAWN BY	DAN DANKERT	
DATE	12/08/11	THERMISTOR PROBE
REV.	"B"	P/N USP12755
LAYER	0 OF 2	